



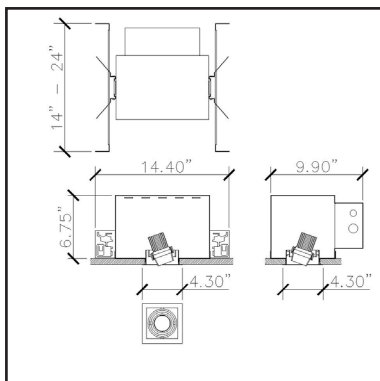
lucent®

ProSpex Gimbal Mini Gimbal Mini Single Fixture

The ProSpex fully adjustable trimmed gimbal fixtures, ideal for high end retail or hospitality applications where flexibility is required. Also available in single and other multiple permutations, up to three modules as standard, that allows uniformity in the ceiling of multiple heads in one recessed housing. Minimal ceiling trim for a clean ceiling line. The range utilises many MR16 sized light sources including Lucent's own LED50 series of modules.

- Butterfly brackets fitted for commercial installation
- Minimal ceiling trim
- Die cast Gimbal Heads
- Integral compartment for electrical hardware
- Electrical compartment accessible through ceiling aperture
- Maximum tilt 35° in certain directions
- Anti glare snoots as standard
- Each head accepts 2 media accessories
- Front loading lenses and louvres
- Black and White combinations as standard

Flanged

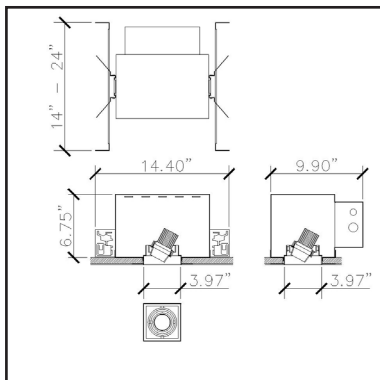


Gimbal Mini Single Flanged

A116-LED-TR

- Ceiling kit with overlap flange

Flangeless

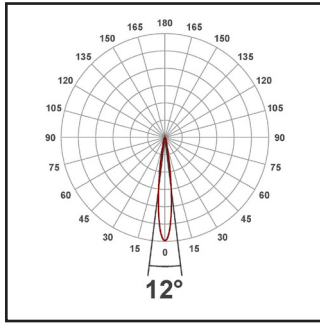


Gimbal Mini Single Flangeless

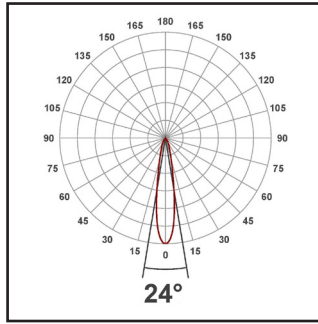
A116-LED-TL

- Mud-in kit for seamless flush finish

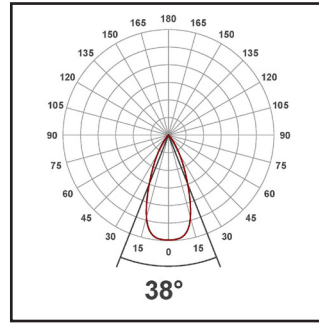
Photometric Diagrams



LED51/U-30-12
LED51/U, 3000K, 12°



LED51/U-30-24
LED51/U, 3000K, 24°



LED51/U-30-38
LED51/U, 3000K, 38°



LED50 ONE ULTRA

Information*

LED Type	Cree COB		
CCT	3000K		
Drive Current	350mA		
Power inc Driver	13.6W		
Beam Angle	12°	24°	38°
Delivered Lumens	673	697	832
Intensity cd	8489	3952	2201
Efficacy lm/w	50	51	61
Forward Volt	33V		
CRI	≥98 CRI		

The results in the table is for 3000K color temperature, for specific module information please see LED spec located on our website

For information regarding other color temperatures please use the following factors for lumen output and candelas:

2700K = 1
4000K = 1.084

*Data correct at time of publishing

LED Module Order Code: **LED51/U** - -

Lamp
LED51/U

LED50 ONE ULTRA

CCT

27 2700K
30 3000K
35 3500K

Beam

12 12°
24 24°
38 38°

Fixture Order Code: - - - - - -

Fixture
A116 ProSpex Gimbal Mini Single for LED50 Series

LED
LED51/U LED50 ONE ULTRA

Flange
TR Flange
TL Flangeless

Gimbal Finish
WH White
BK Black

Housing Finish
WH White
BK Black

Flange/Flangeless Finish
WH White
BK Black

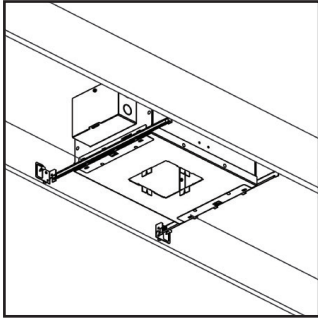
Ceiling Thickness
12 1/2"
58 5/8"
75 3/4"
C Custom

Installation Instructions for Gimbal Mini Flange with Housing

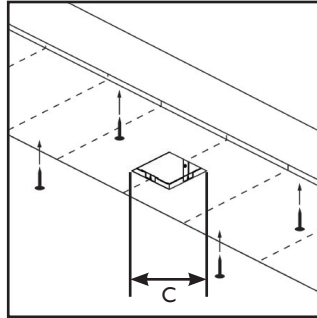
For Insulated and Non-Insulated Ceiling type installations



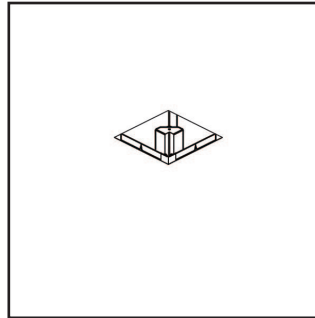
MAINS POWER TO BE SWITCHED OFF DURING INSTALLATION.



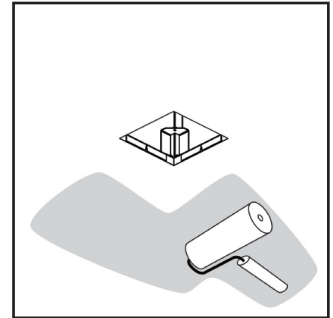
1. Fixing of housing



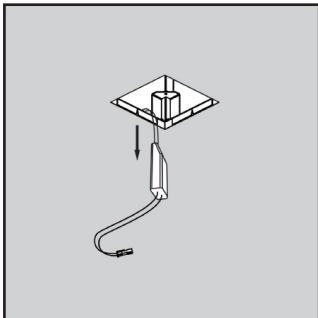
2. Plasterboard installation
Cutout (C): 3.89" x 3.89" (99 x 99mm)



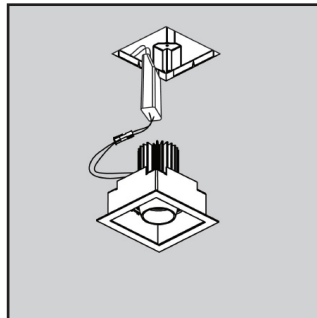
3. Finish ceiling face



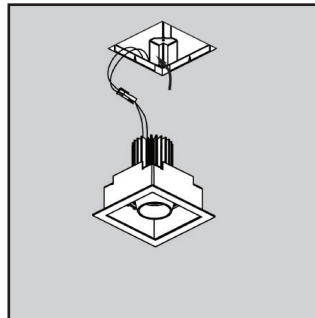
4. Paint and allow to dry fully



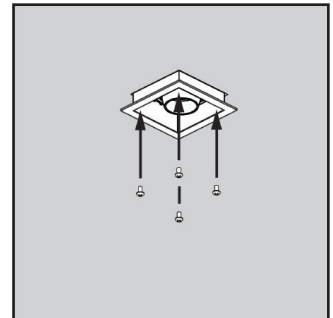
5. Dropdown of power supply



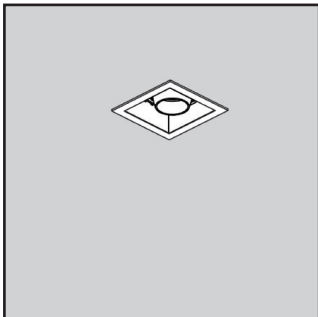
6. Fixture wiring connection



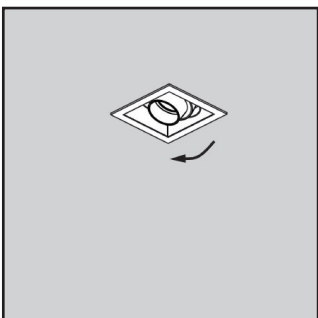
7. Power supply re-installation



8. Align fixture and Install



9. Finished Installation



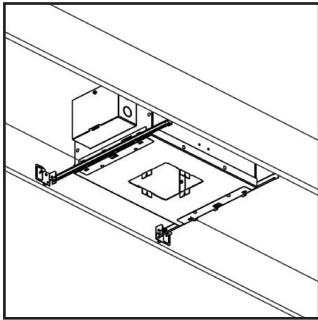
10. Adjust tilt

Installation Instructions for Gimbal Mini Flangeless with Housing

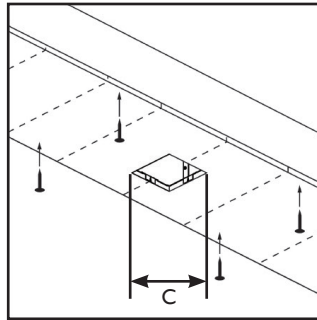
For Insulated and Non-Insulated Ceiling type installations



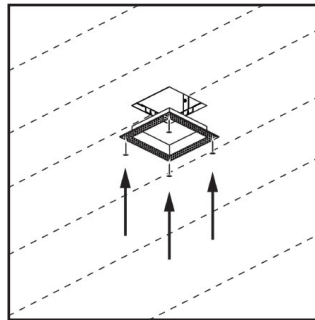
MAINS POWER TO BE SWITCHED OFF DURING INSTALLATION.



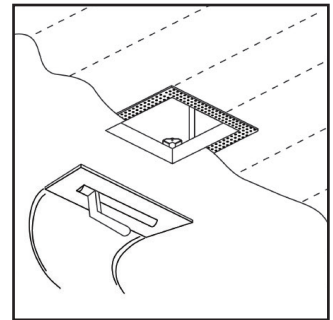
1. Fixing of housing



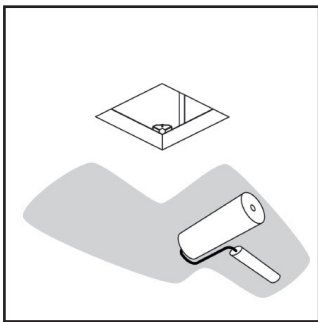
2. Plasterboard installation
Cutout (C): 4.37" x 4.37" (111 x 111mm)



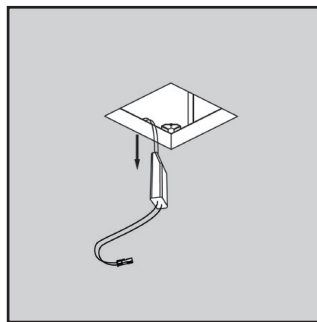
3. Trimless mud in kit installation



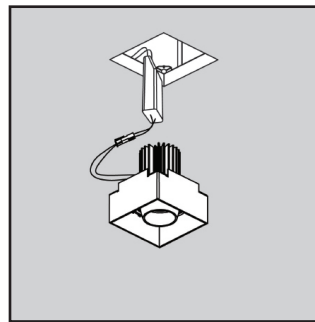
4. Mud in and allow to dry fully



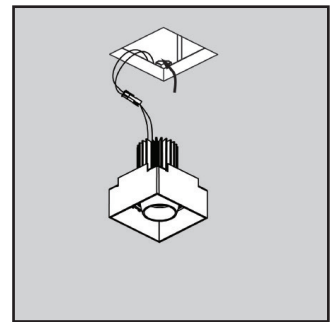
5. Paint and allow to dry fully



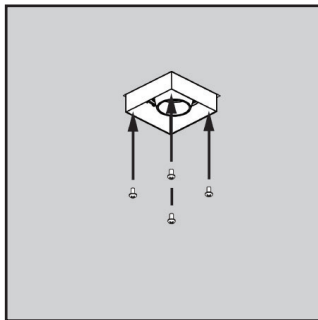
6. Dropdown of power supply



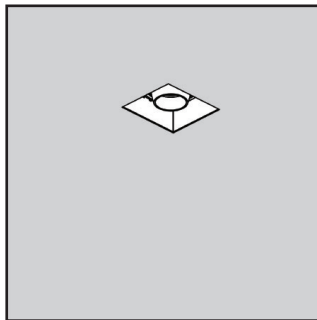
7. Fixture wiring connection



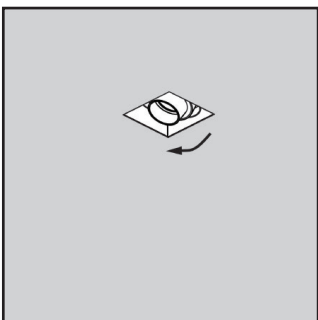
8. Power supply re-installation



9. Align fixture with trimless kit and install



10. Finished Installation



11. Adjust tilt