



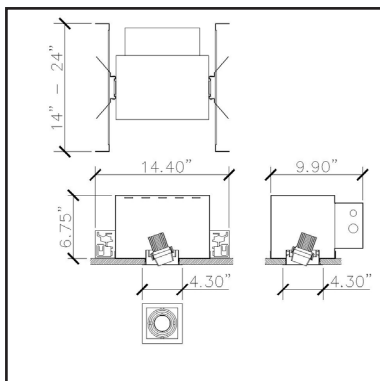
# lucent®

## ProSpex Gimbal Mini Gimbal Mini Single Fixture

The ProSpex fully adjustable trimmed gimbal fixtures, ideal for high end retail or hospitality applications where flexibility is required. Also available in single and other multiple permutations, up to three modules as standard, that allows uniformity in the ceiling of multiple heads in one recessed housing. Minimal ceiling trim for a clean ceiling line. The range utilises many MR16 sized light sources including Lucent's own LED50 series of modules.

- Butterfly brackets fitted for commercial installation
- Minimal ceiling trim
- Die cast Gimbal Heads
- Integral compartment for electrical hardware
- Electrical compartment accessible through ceiling aperture
- Maximum tilt 35° in certain directions
- Anti glare snoots as standard
- Each head accepts 2 media accessories
- Front loading lenses and louvres
- Black and White combinations as standard

### Flanged

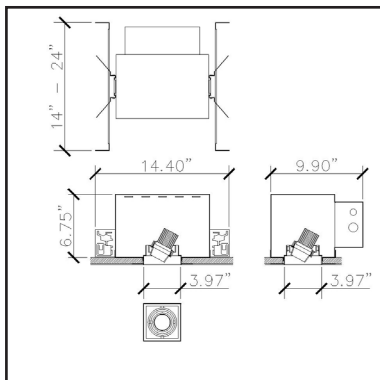


Gimbal Mini Single Flanged

#### A116-LED-TR

- Ceiling kit with overlap flange

### Flangeless

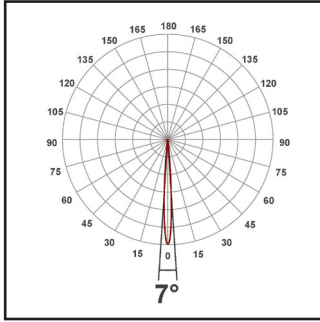


Gimbal Mini Single Flangeless

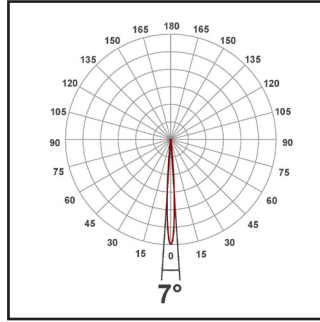
#### A116-LED-TL

- Mud-in kit for seamless flush finish

## Photometric Diagrams



**LED51SS-927-7**  
LED51SS, 2700K, 7°



**LED51SS-930-7**  
LED51SS, 3000K, 7°



LED50 ONE Super Spot

## Information\*

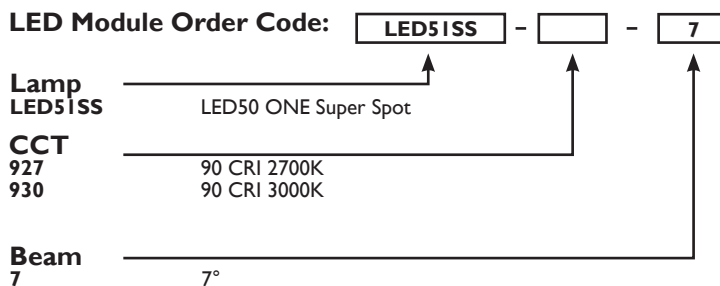
LED Type	XHP	XHP
CCT	3000K	3000K
Drive Current	350mA	500mA
Power inc Driver	4.75W	6.75W
Beam Angle	7°	7°
Source Lumens	372	471
Delivered Lumens	322	412
Intensity cd	12703	16259
Efficacy lm/w	68	61
R9	55	55
TM30	90.6	90.6
Forward Volt	11.5V	11.5V
CRI	≥90 CRI	≥90 CRI

The results in the table is for 3000K color temperature, for specific module information please see LED spec located on our website

For information regarding other color temperatures please use the following factors for lumen output and candelas:

2700K = 0.9  
4000K = 1.08

\*Data correct at time of publishing



Fixture Order Code: A116 -   -   -   -   -   -  

**Fixture**  
A116 ProSpex Gimbal Mini Single for LED50 Series

**LED**  
LED51SS LED50 SuperSpot

**Flange**  
TR Flange  
TL Flangeless

**Gimbal Finish**  
WH White  
BK Black

**Housing Finish**  
WH White  
BK Black

**Flange/Flangeless Finish**  
WH White  
BK Black

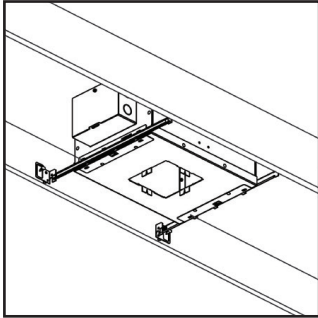
**Ceiling Thickness**  
12 1/2"  
58 5/8"  
75 3/4"  
C Custom

## Installation Instructions for Gimbal Mini Flange with Housing

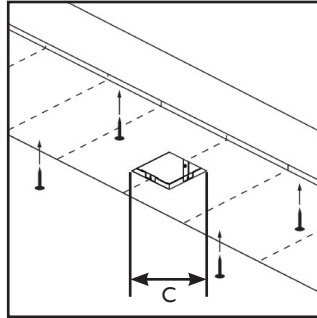
For Insulated and Non-Insulated Ceiling type installations



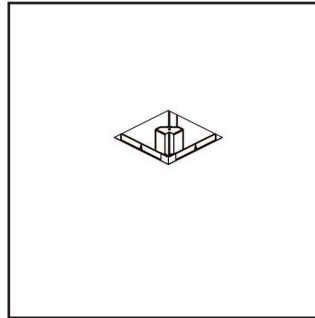
**MAINS POWER TO BE SWITCHED OFF DURING INSTALLATION.**



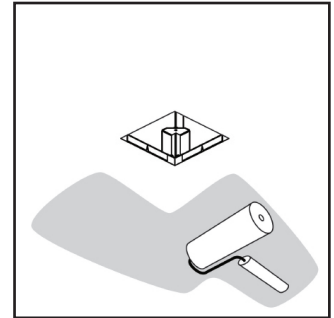
1. Fixing of housing



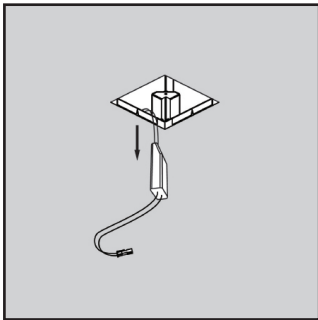
2. Plasterboard installation  
Cutout (C): 3.89" x 3.89" (99 x 99mm)



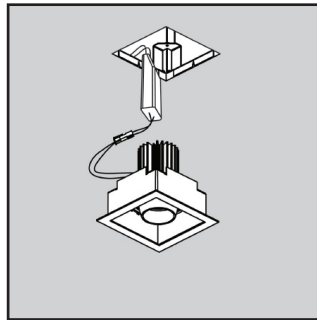
3. Finish ceiling face



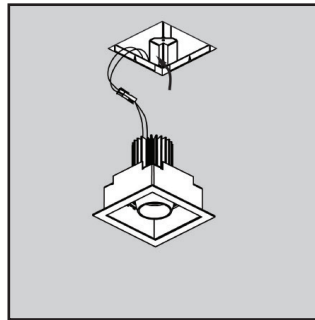
4. Paint and allow to dry fully



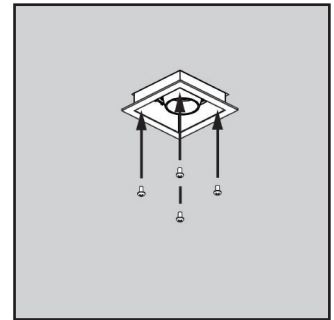
5. Dropdown of power supply



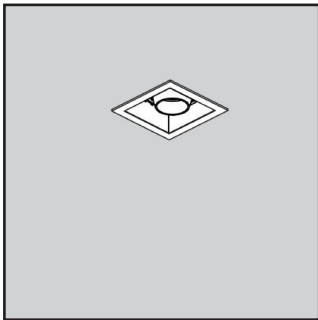
6. Fixture wiring connection



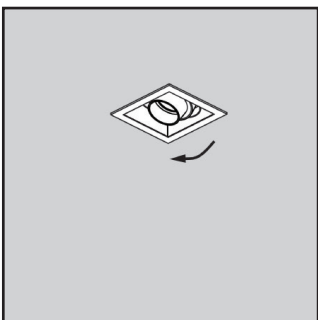
7. Power supply re-installation



8. Align fixture and Install



9. Finished Installation



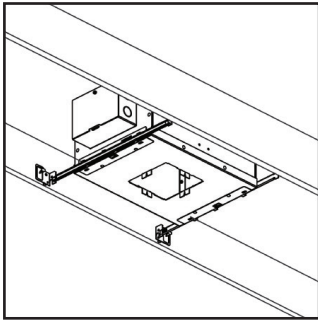
10. Adjust tilt

## Installation Instructions for Gimbal Mini Flangeless with Housing

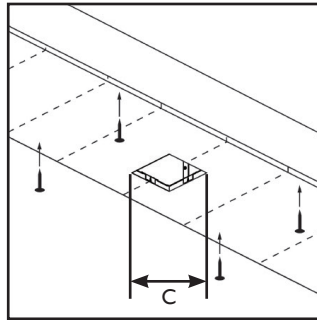
For Insulated and Non-Insulated Ceiling type installations



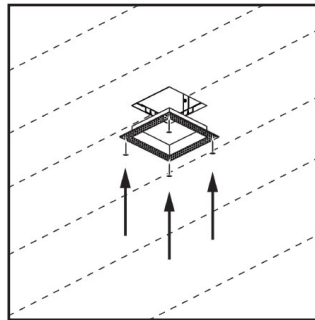
**MAINS POWER TO BE SWITCHED OFF DURING INSTALLATION.**



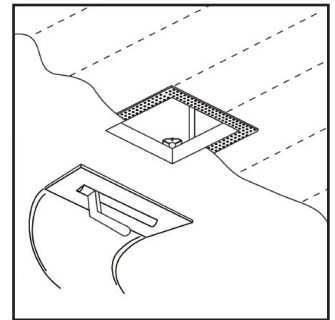
1. Fixing of housing



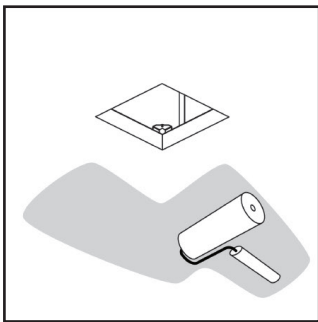
2. Plasterboard installation  
Cutout (C): 4.37" x 4.37" (111 x 111mm)



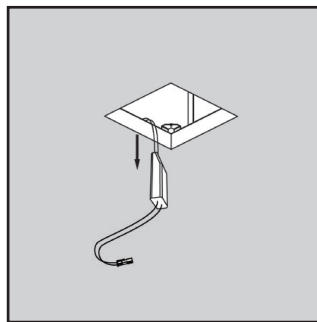
3. Trimless mud in kit installation



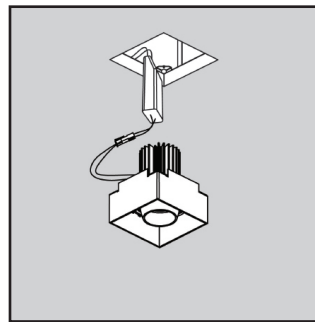
4. Mud in and allow to dry fully



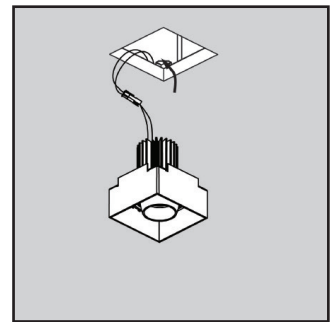
5. Paint and allow to dry fully



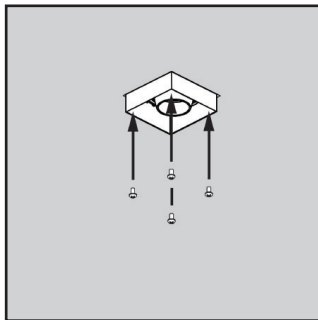
6. Dropdown of power supply



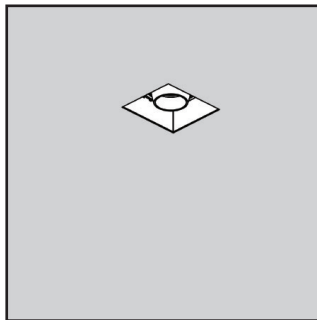
7. Fixture wiring connection



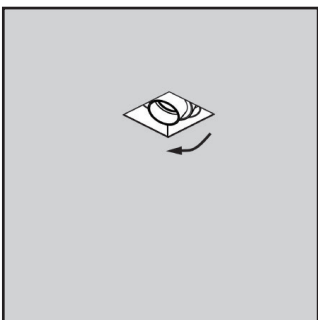
8. Power supply re-installation



9. Align fixture with trimless kit and install



10. Finished Installation



11. Adjust tilt