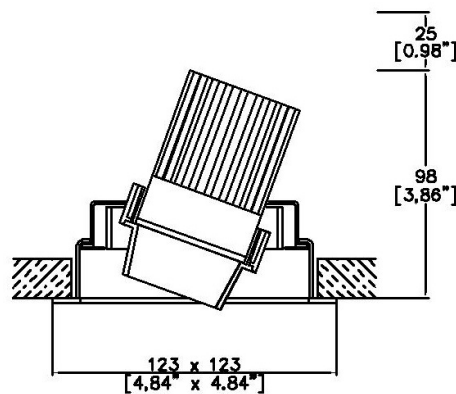


ProSpex Gimbal Mini Single



123 x 123mm (4.84" x 4.84") overall trim dimension. Available with standard trim kit or plaster-in kit for flush appearance. Family of matching products also available. Required depth height + 25mm[^]



116/2-LED-TR
Cut-out 108 x 108mm

LED Source	LED51/2	LED51/2	LED51/2	LED51/2
CCT	3000K	3000K	3000K	3000K
Drive Current	350mA	350mA	350mA	350mA
Power inc Driver	13.6W	13.6W	13.6W	13.6W
Beam Angle	12°	24°	38°	55°
Delivered Lumens	731	841	905	979
Delivered Intensisty cd	9211	4143	2562	1449
Efficacy lm/w	54	62	67	72
Forward Volt	33V	33V	33V	33V
CRI	≥90 CRI	≥90 CRI	≥90 CRI	≥90 CRI

Project Ref: _____

Location Ref: _____

Fixture Order Code: 116/2-LED-TR - [] - [] - [] - []

Fixture
116/2-LED-TR Gimbal Mini Single Trim with LED51

Gimbal Finish
WH White
BK Black
RAL Custom RAL Colour*

Coverplate Finish
WH White
BK Black
RAL Custom RAL Colour*

Trim Finish
WH White
BK Black
RAL Custom RAL Colour*

Emergency
E Maintained 3hr Emergency
ED Maintained 3hr DALI Self Test
ES Maintained 3hr Self Test

LED Order Code: LED51/2 - [] - [] - []

LED
LED51/2 LED50 ONE GEN2

CCT
927 90 CRI 2700K
930 90 CRI 3000K
940 90 CRI 4000K

Beam
12 12°
24 24°
38 38°
55 55°

Protocol
S Non-Dim
A Analogue (0-10v)
P Phase
D DALI
B Bluetooth**



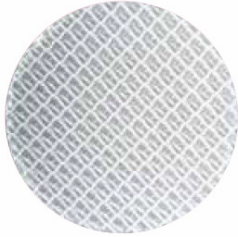
Honeycomb Louvre



Diffusing Lens



Frosted Lens



Heavy Spread Lens



Linear Spread Lens



Warm Tone

Accessories Order Code:

Louvre/Lens

- LL45 Honeycomb Louvre
- LLCC Warm Tone Lens
- LLUV UV Lens
- LLDF Diffusing Lens
- LLFR Frosted Lens
- LLLS Linear Spread Lens
- LLHS Heavy Spread Lens

Technical Details

*Custom RAL code must be specified. Custom RAL colours can increase prices and lead times

Dimming. Whilst Lucent can offer the majority of its luminaires with various dimming options, it remains the responsibility of the specifier/installer to check and ensure compatibility of any control equipment used. Additional cabling may be required depending on the dimming protocol specified.

**Bluetooth (wireless) is the communication method. The exact dimming protocol must be confirmed to allow the selection of suitable drivers or bluetooth devices.

^ Depth indicated is the minimum recess depth for the luminaire with a remote mounted LED driver. Installing a driver through either the luminaire cut-out or installation kit may require additional recess depth, please refer to the relevant luminaire installation instructions for further details. Data correct at time of publishing

First Fix Requirement. Luminaire comprised of fixture body with ceiling trim and installation kit, which is to be fitted into the ceiling once finished. Ensure correct alignment of the installation kit before final assembly (see luminaire installation instructions for details)

IP Rating. Tested from underside of the ceiling

It is the policy of Lucent Lighting to continually review and improve its products and therefore reserve the right to change any details of product or withdraw specifications without prior notice.

Luminaires designed to comply with EN60598 and all other standards.

This specification sheet superseded all previous versions.

All intellectual property rights pertaining to the product described above and to this document are owned by or licensed to Lucent Lighting Ltd.

We reserve the right to take whatever action is necessary to protect those intellectual property rights.

Please notify Lucent Lighting Ltd of any inaccuracies immediately. E&OE

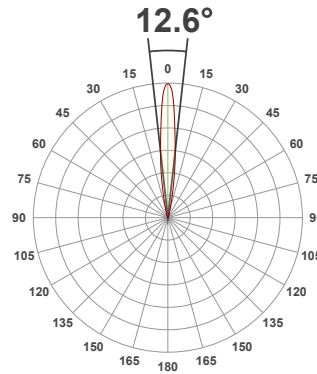
Light efficiency:



Light quality:



Color temperature:

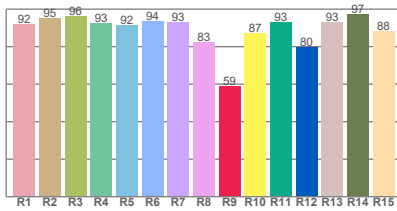


**Gimbal Mini Element - LED50
ONE GEN2, 3000K, 12°, 350mA**
Item number:
**Gimbal Mini Element-
LED51/2-30-12-350mA**

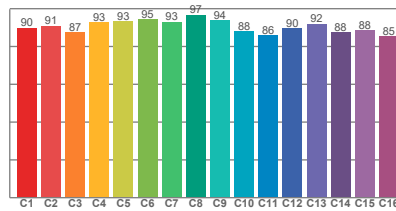
**Delivered information for above
fixture and LED combination.**

Output: 731 Lumen Peak intensity: 9211 cd Power consumption: 13.6

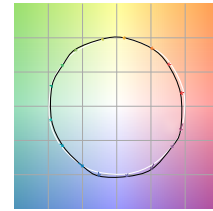
CRI R values



TM30 C Values

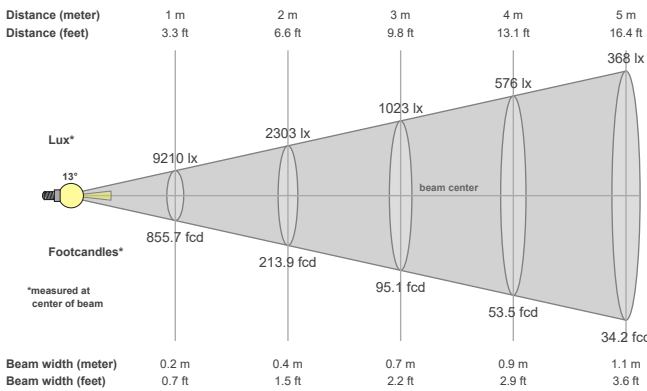


Color vector graphics



Color temperature	Color rendering index	Red component	Color fidelity	Color gamut	Color quality scale	Color coordinate cie 1931	Color coordinate cie 1931	Color coordinate	Color coordinate	Color deviation from black body
CCT	CRI	CRI R9	TM30 Rf	TM30 Rg	CQS	x	y	u	v	Δuv
3000 K	92.1	58.9	90.6	99.9	90.4	0.437	0.404	0.249	0.347	0.0001

Beam details



Beam angels

Beam angle 50%	Field angle 10%	Cutoff angle 2,5%
12.6°	26.2°	40.8°

Beam intensities

Peak intensity	Int. ratio in 120° cone	Int. ratio in 90° cone
9211 cd	99.5%	98.3%

Beam intensities from 1-20m

1m	2m	3m	4m	5m	6m	7m	8m	9m	10m	11m	12m	13m	14m	15m	16m	17m	18m	19m	20m
3.3ft	6.6ft	9.8ft	13.1ft	16.4ft	19.7ft	23ft	26.2ft	29.5ft	32.8ft	36.1ft	39.4ft	42.7ft	45.9ft	49.2ft	52.5ft	55.8ft	59.1ft	62.3ft	65.6ft
9210lx	2303lx	1023lx	576lx	368lx	256lx	188lx	144lx	114lx	92lx	76lx	64lx	54lx	47lx	41lx	36lx	32lx	28lx	26lx	23lx
855.7fcd	213.9fcd	95.1fcd	53.5fcd	34.2fcd	23.8fcd	17.5fcd	13.4fcd	10.6fcd	8.6fcd	7.1fcd	5.9fcd	5.1fcd	4.4fcd	3.8fcd	3.3fcd	3fcd	2.6fcd	2.4fcd	2.1fcd

The above information is for 3000K colour temperature, for specific module information please see LED spec located on our website

For information regarding other colour temperatures please use the following factors for lumen output and candelas:

2700K = 1
4000K = 1.084

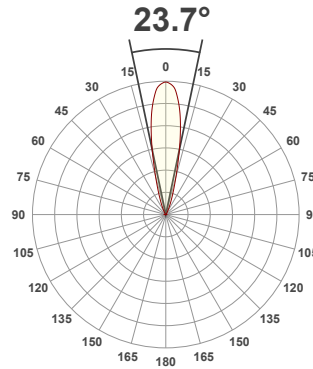
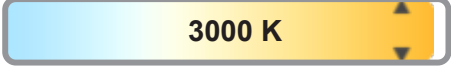
Light efficiency:



Light quality:



Color temperature:



Gimbal Mini Element - LED50 ONE GEN2, 3000K, 24°, 350mA

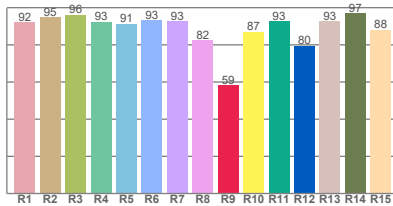
Item number:

Gimbal Mini Element-LED51/2-30-24-350mA

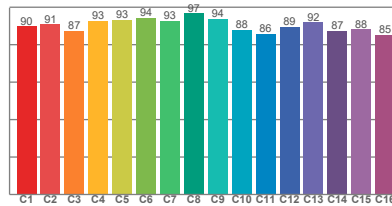
Delivered information for above fixture and LED combination.

Output: 841 Lumen Peak intensity: 4143 cd Power consumption: 13.6

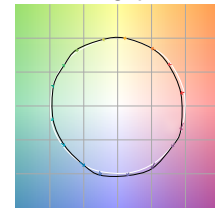
CRI R values



TM30 C Values

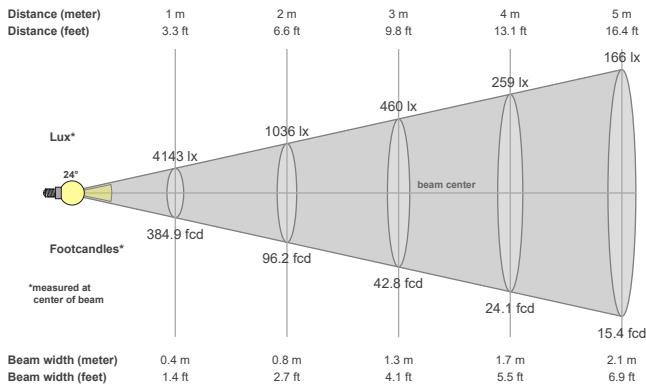


Color vector graphics



Color temperature	Color rendering index	Red component	Color fidelity	Color gamut	Color quality scale	Color coordinate cie 1931	Color coordinate cie 1931	Color coordinate	Color coordinate	Color deviation from black body
CCT	CRI	CRI R9	TM30 Rf	TM30 Rg	CQS	x	y	u	v	Δuv
3000 K	92.0	58.5	90.5	99.9	90.3	0.437	0.404	0.249	0.347	0.0002

Beam details



Beam angles

Beam angle 50%	Field angle 10%	Cutoff angle 2,5%
23.7°	43.2°	59.7°

Beam intensities

Peak intensity	Int. ratio in 120° cone	Int. ratio in 90° cone
4143 cd	99.7%	98.8%

Beam intensities from 1-20m

1m	2m	3m	4m	5m	6m	7m	8m	9m	10m	11m	12m	13m	14m	15m	16m	17m	18m	19m	20m
3.3ft	6.6ft	9.8ft	13.1ft	16.4ft	19.7ft	23ft	26.2ft	29.5ft	32.8ft	36.1ft	39.4ft	42.7ft	45.9ft	49.2ft	52.5ft	55.8ft	59.1ft	62.3ft	65.6ft
4143lx	1036lx	460lx	259lx	166lx	115lx	85lx	65lx	51lx	41lx	34lx	29lx	25lx	21lx	18lx	16lx	14lx	13lx	11lx	10lx
384.9fcd	96.2fcd	42.8fcd	24.1fcd	15.4fcd	10.7fcd	7.9fcd	6fcd	4.8fcd	3.8fcd	3.2fcd	2.7fcd	2.3fcd	2fcd	1.7fcd	1.5fcd	1.3fcd	1.2fcd	1.1fcd	1fcd

The above information is for 3000K colour temperature, for specific module information please see LED spec located on our website

For information regarding other colour temperatures please use the following factors for lumen output and candelas:

2700K = 1
4000K = 1.084

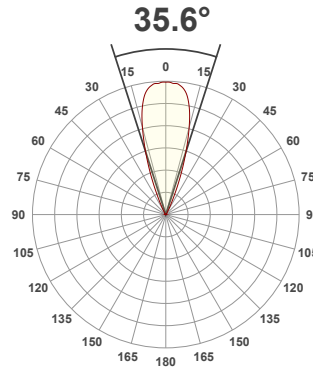
Light efficiency:



Light quality:



Color temperature:

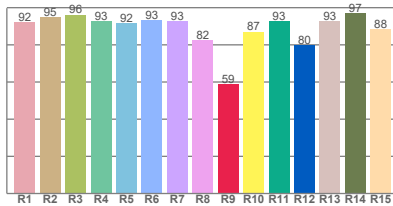


Gimbal Mini Element - LED50 ONE GEN2, 3000K, 38°, 350mA
 Item number:
Gimbal Mini Element-LED51/2-30-38-350mA

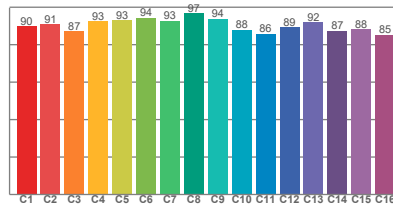
Delivered information for above fixture and LED combination.

Output: 905 Lumen Peak intensity: 2562 cd Power consumption: 13.6

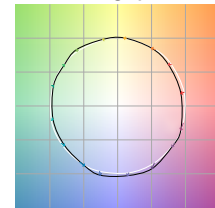
CRI R values



TM30 C Values

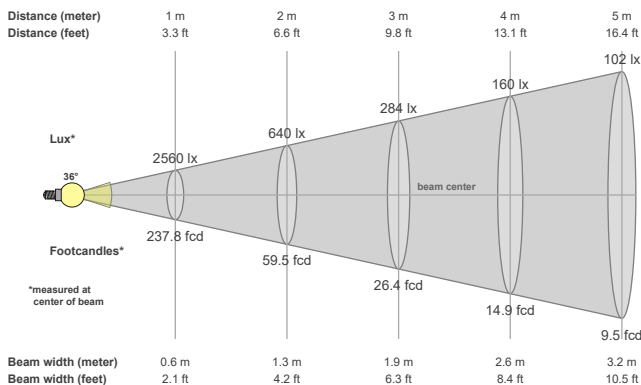


Color vector graphics



Color temperature	Color rendering index	Red component	Color fidelity	Color gamut	Color quality scale	Color coordinate cie 1931	Color coordinate cie 1931	Color coordinate	Color coordinate	Color deviation from black body
CCT	CRI	CRI R9	TM30 Rf	TM30 Rg	CQS	x	y	u	v	Δuv
3000 K	92.0	58.7	90.5	100.0	90.3	0.437	0.404	0.249	0.347	0.0001

Beam details



Beam angles

Beam angle 50%	Field angle 10%	Cutoff angle 2,5%
35.6°	51.5°	64.7°

Beam intensities

Peak intensity	Int. ratio in 120° cone	Int. ratio in 90° cone
2562 cd	99.8%	99.0%

Beam intensities from 1-20m

1m	2m	3m	4m	5m	6m	7m	8m	9m	10m	11m	12m	13m	14m	15m	16m	17m	18m	19m	20m
3.3ft	6.6ft	9.8ft	13.1ft	16.4ft	19.7ft	23ft	26.2ft	29.5ft	32.8ft	36.1ft	39.4ft	42.7ft	45.9ft	49.2ft	52.5ft	55.8ft	59.1ft	62.3ft	65.6ft
2560lx	640lx	284lx	160lx	102lx	71lx	52lx	40lx	32lx	26lx	21lx	18lx	15lx	13lx	11lx	10lx	9lx	8lx	7lx	6lx
237.8fcd	59.5fcd	26.4fcd	14.9fcd	9.5fcd	6.6fcd	4.9fcd	3.7fcd	2.9fcd	2.4fcd	2fcd	1.7fcd	1.4fcd	1.2fcd	1.1fcd	0.9fcd	0.8fcd	0.7fcd	0.7fcd	0.6fcd

The above information is for 3000K colour temperature, for specific module information please see LED spec located on our website

For information regarding other colour temperatures please use the following factors for lumen output and candelas:

2700K = 1
 4000K = 1.084

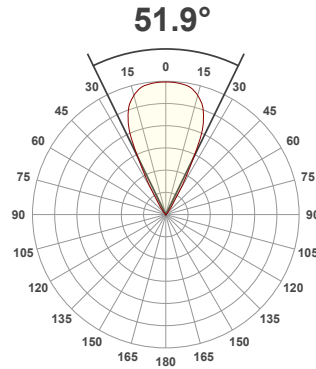
Light efficiency:



Light quality:



Color temperature:



Gimbal Mini Element - LED50 ONE GEN2, 3000K, 55°, 350mA

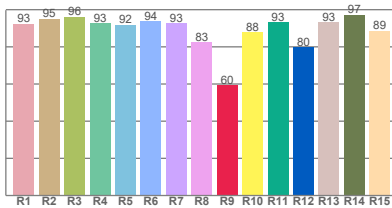
Item number:

Gimbal Mini Element-LED51/2-30-55-350mA

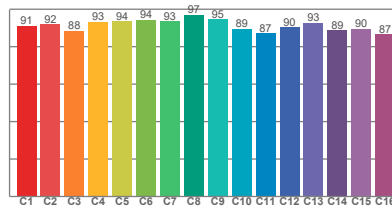
Delivered information for above fixture and LED combination.

Output: 979 Lumen Peak intensity: 1449 cd Power consumption: 13.6

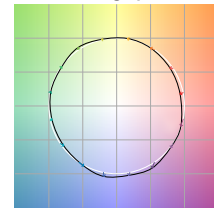
CRI R values



TM30 C Values

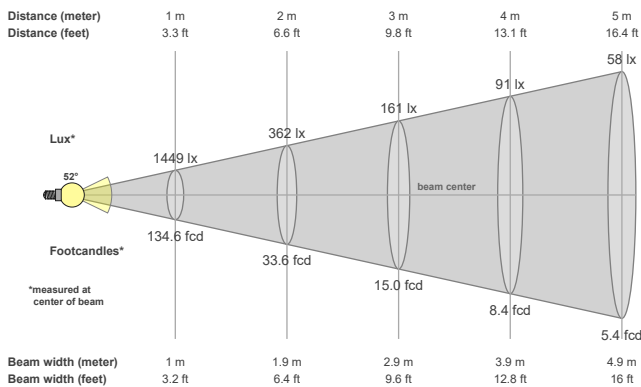


Color vector graphics



Color temperature	Color rendering index	Red component	Color fidelity	Color gamut	Color quality scale	Color coordinate cie 1931	Color coordinate cie 1931	Color coordinate	Color coordinate	Color deviation from black body
CCT	CRI	CRI R9	TM30 Rf	TM30 Rg	CQS	x	y	u	v	Δuv
3000 K	92.3	59.6	91.4	100.3	90.3	0.437	0.404	0.248	0.346	-0.0005

Beam details



Beam angels

Beam angle 50%	Field angle 10%	Cutoff angle 2,5%
51.9°	67.2°	84.6°

Beam intensities

Peak intensity	Int. ratio in 120° cone	Int. ratio in 90° cone
1449 cd	99.5%	98.3%

Beam intensities from 1-20m

1m	2m	3m	4m	5m	6m	7m	8m	9m	10m	11m	12m	13m	14m	15m	16m	17m	18m	19m	20m
3.3ft	6.6ft	9.8ft	13.1ft	16.4ft	19.7ft	23ft	26.2ft	29.5ft	32.8ft	36.1ft	39.4ft	42.7ft	45.9ft	49.2ft	52.5ft	55.8ft	59.1ft	62.3ft	65.6ft
1449lx	362lx	161lx	91lx	58lx	40lx	30lx	23lx	18lx	14lx	12lx	10lx	9lx	7lx	6lx	6lx	5lx	4lx	4lx	4lx
134.6 fcd	33.6 fcd	15 fcd	8.4 fcd	5.4 fcd	3.7 fcd	2.7 fcd	2.1 fcd	1.7 fcd	1.3 fcd	1.1 fcd	0.9 fcd	0.8 fcd	0.7 fcd	0.6 fcd	0.5 fcd	0.5 fcd	0.4 fcd	0.4 fcd	0.3 fcd

The above information is for 3000K colour temperature, for specific module information please see LED spec located on our website

For information regarding other colour temperatures please use the following factors for lumen output and candelas:

2700K = 1
4000K = 1.084