

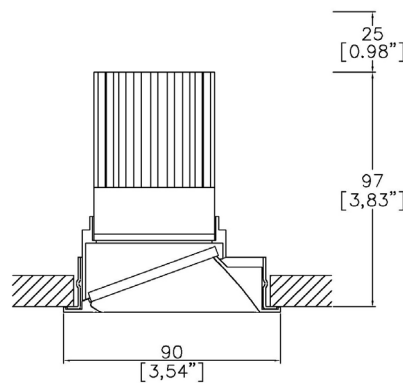
# ProSpex Plus Mini Round Wallwash Trim

TM65.2 11kgCO2e

TM66 2.3 CEAM



90mm (3.54") overall trim diameter. Available with standard trim kit or plaster-in kit for flush appearance. Family of matching products also available. Required depth height + 25mm^



750+LED-TR-WW  
Cut-out 82mm Ø  
Trim kit

LED Source	LED51/U
CCT	3000K
Drive Current	350mA
Power inc Driver	13.6W
Beam Angle	38°
Delivered Lumens	589
Delivered Intensisty cd	854
Efficacy lm/w	43
Forward Volt	33V
CRI	≥98 CRI

Apply these factors to 3000K for lumen output of other CCTs: 2700K x 0.94 / 4000K x 1.03

Project Ref: \_\_\_\_\_

Location Ref: \_\_\_\_\_

### Fixture Order Code:

750+LED-TR-WW -  -

#### Fixture

750+LED-TR-WW Plus Mini Round Wallwash Trim with LED51

#### Finish

WH	White RAL 9010
BK	Black RAL 9005
RAL*	Custom RAL Colour*
ABR1	Antique Brass
ABZ1	Antique Bronze
PCH1	Polished Chrome
PNK1	Polished Nickel
PBR1	Polished Brass

#### IP Rating

54 IP54



### LED Order Code:

LED51/U -  - 38

#### LED

LED51/U LED50 ONE ULTRA

#### CCT

27	98 CRI 2700K
30	98 CRI 3000K
40***	98 CRI 4000K***

#### Beam

38 38°

\*\*\*contact Lucent for availability

### Driver Options:

#### Protocol

S	Non-Dim
A	Analogue (0-10v)
P	Phase
D	DALI
B	Bluetooth**

### Emergency Options:

#### Emergency

E	Maintained 3hr Emergency
ED	Maintained 3hr DALI Self Test
ES	Maintained 3hr Self Test

### Finish selection



Antique Brass



Antique Bronze



Polished Brass



Polished Nickel



Polished Chrome

### Accessories



Honeycomb Louvre

Accessories Order Code:

Louvre/Lens

- LL45 Honeycomb Louvre
- LLCC Warm Tone Lens
- LLUV UV Lens

## Technical Details

\*Custom RAL code must be specified. Custom RAL colours can increase prices and lead times

Dimming. Whilst Lucent can offer the majority of its luminaires with various dimming options, it remains the responsibility of the specifier/installer to check and ensure compatibility of any control equipment used. Additional cabling may be required depending on the dimming protocol specified.

\*\*Bluetooth (wireless) is the communication method. The exact dimming protocol must be confirmed to allow the selection of suitable drivers or bluetooth devices.

^ Depth indicated is the minimum recess depth for the luminaire with a remote mounted LED driver. Installing a driver through either the luminaire cut-out or installation kit may require additional recess depth, please refer to the relevant luminaire installation instructions for further details. Data correct at time of publishing

First Fix Requirement. Luminaire comprised of fixture body with ceiling trim and installation kit, which is to be fitted into the ceiling once finished. Ensure correct alignment of the installation kit before final assembly (see luminaire installation instructions for details)

IP Rating. Tested from underside of the ceiling

Note that the picture of the finishes provided is for illustrative purposes only. The finishes may vary in colour, texture and appearance. Contact Lucent lighting Ltd for more information.

It is the policy of Lucent Lighting to continually review and improve its products and therefore reserve the right to change any details of product or withdraw specifications without prior notice.

Luminaires designed to comply with EN60598 and all other standards.

This specification sheet supersedes all previous versions.

All intellectual property rights pertaining to the product described above and to this document are owned by or licensed to Lucent Lighting Ltd.

We reserve the right to take whatever action is necessary to protect those intellectual property rights.

Please notify Lucent Lighting Ltd of any inaccuracies immediately. E&OE