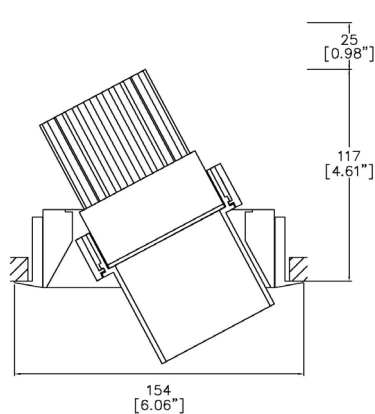


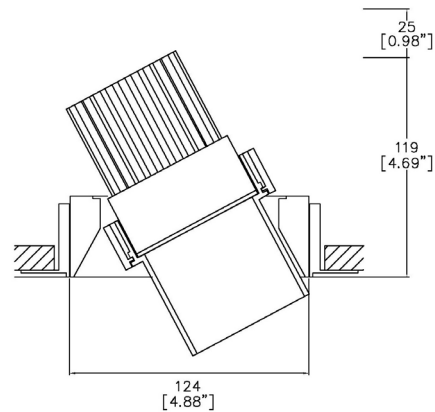
ProSpex Axis Midi2 Long Snoot



154mm (6.06") overall trim diameter. 127mm (5") overall trimless diameter. Supplied with long snoot. Available with standard trim kit or plaster-in kit for flush appearance. Family of matching products also available. Required depth height + 25mm^



300/2-LS-LED-TR
Up to 35° tilt
Cut-out 141mm Ø



300/2-LS-LED-TL
Up to 35° tilt
Cut-out 141mm Ø

LED Source	LED71	LED71	LED71
CCT	3000K	3000K	3000K
Drive Current	700mA	700mA	700mA
Power inc Driver	27W	27W	27W
Beam Angle	12°	19°	34°
Delivered Lumens	1602	1303	1189
Delivered Intensisty cd	25520	10706	4148
Efficacy lm/w	59	48	44
Forward Volt	33V	33V	33V
CRI	≥90 CRI	≥90 CRI	≥90 CRI

Project Ref: _____

Location Ref: _____

Fixture Order Code: - - -

Fixture
300/2-LS-LED Axis Midi2 Long Snoot with LED71

Installation
TR Trim
TL Trimless

Finish
WH White
BK Black
RAL Custom RAL Colour*

Emergency
E Maintained 3hr Emergency
ED Maintained 3hr DALI Self Test
ES Maintained 3hr Self Test



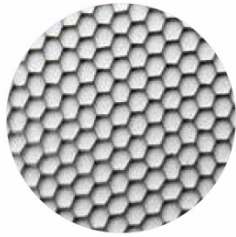
LED Order Code: - - -

LED
LED71 LED70 ONE

CCT
927 90 CRI 2700K
930 90 CRI 3000K
940 90 CRI 4000K

Beam
12 12°
19 19°
34 34°

Protocol
S Non-Dim
A Analogue (0-10v)
P Phase
D DALI
B Bluetooth**



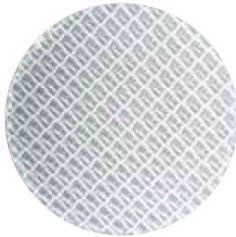
Honeycomb Louvre



Diffusing Lens



Frosted Lens



Heavy Spread Lens



Linear Spread Lens



Warm Tone

Accessories Order Code:

Louvre/Lens

- MD45 Honeycomb Louvre
- MDCC Warm Tone Lens
- MDUV UV Lens
- MDDF Diffusing Lens
- MDFR Frosted Lens
- MDLS Linear Spread Lens
- MDHS Heavy Spread Lens

Technical Details

*Custom RAL code must be specified. Custom RAL colours can increase prices and lead times

Dimming. Whilst Lucent can offer the majority of its luminaires with various dimming options, it remains the responsibility of the specifier/installer to check and ensure compatibility of any control equipment used. Additional cabling may be required depending on the dimming protocol specified.

**Bluetooth (wireless) is the communication method. The exact dimming protocol must be confirmed to allow the selection of suitable drivers or bluetooth devices.

^ Depth indicated is the minimum recess depth for the luminaire with a remote mounted LED driver. Installing a driver through either the luminaire cut-out or installation kit may require additional recess depth, please refer to the relevant luminaire installation instructions for further details. Data correct at time of publishing

First Fix Requirement. Luminaire comprised of fixture body with ceiling trim and installation kit, which is to be fitted into the ceiling once finished. Ensure correct alignment of the installation kit before final assembly (see luminaire installation instructions for details)

IP Rating. Tested from underside of the ceiling

It is the policy of Lucent Lighting to continually review and improve its products and therefore reserve the right to change any details of product or withdraw specifications without prior notice.

Luminaires designed to comply with EN60598 and all other standards.

This specification sheet supersedes all previous versions.

All intellectual property rights pertaining to the product described above and to this document are owned by or licensed to Lucent Lighting Ltd.

We reserve the right to take whatever action is necessary to protect those intellectual property rights.

Please notify Lucent Lighting Ltd of any inaccuracies immediately. E&OE

Light efficiency:

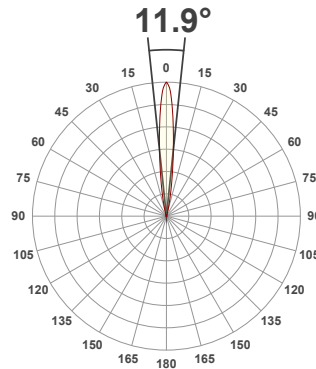
59 Lumen/Watt

Light quality:

CRI: 90.1

Color temperature:

3000 K



Product name:

300-LS-LED - LED71-30-12-700mA

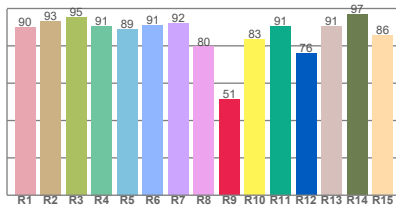
Item number:

Axis Midi Long Snoot - LED71-30-12-700mA

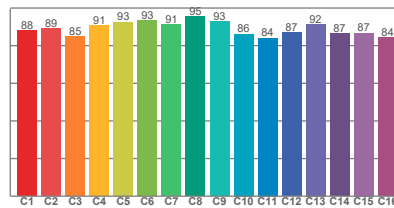
Delivered information for above fixture and LED combination.

Output: 1602 Lumen Peak intensity: 25520 cd Power consumption: 27.0

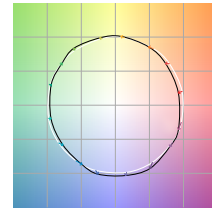
CRI R values



TM30 C Values

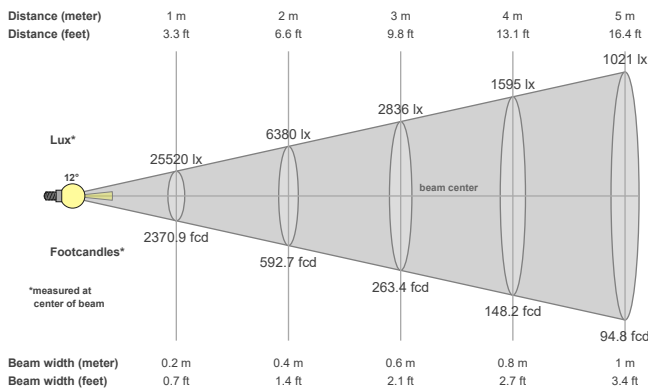


Color vector graphics



Color temperature	Color rendering index	Red component	Color fidelity	Color gamut	Color quality scale	Color coordinate cie 1931	Color coordinate cie 1931	Color coordinate	Color coordinate	Color deviation from black body
CCT	CRI	CRI R9	TM30 Rf	TM30 Rg	CQS	x	y	u	v	Δuv
3000 K	90.1	51.3	89.0	99.5	88.8	0.437	0.404	0.249	0.348	0.0007

Beam details



Beam angles

Beam angle 50%	Field angle 10%	Cutoff angle 2,5%
11.9°	24.6°	33.1°

Beam intensities

Peak intensity	Int. ratio in 120° cone	Int. ratio in 90° cone
25520 cd	99.6%	99.3%

Beam intensities from 1-20m

1m	2m	3m	4m	5m	6m	7m	8m	9m	10m	11m	12m	13m	14m	15m	16m	17m	18m	19m	20m
3.3ft	6.6ft	9.8ft	13.1ft	16.4ft	19.7ft	23ft	26.2ft	29.5ft	32.8ft	36.1ft	39.4ft	42.7ft	45.9ft	49.2ft	52.5ft	55.8ft	59.1ft	62.3ft	65.6ft
25520lx	6380lx	2836lx	1595lx	1021lx	709lx	521lx	399lx	315lx	255lx	211lx	177lx	151lx	130lx	113lx	100lx	88lx	79lx	71lx	64lx
2370.9fcd	592.7fcd	263.4fcd	148.2fcd	94.8fcd	65.9fcd	48.4fcd	37fcd	29.3fcd	23.7fcd	19.6fcd	16.5fcd	14fcd	12.1fcd	10.5fcd	9.3fcd	8.2fcd	7.3fcd	6.6fcd	5.9fcd

The above information is for 3000K colour temperature, for specific module information please see LED spec located on our website

For information regarding other colour temperatures please use the following factors for lumen output and candelas:

2700K = 1
4000K = 1.084

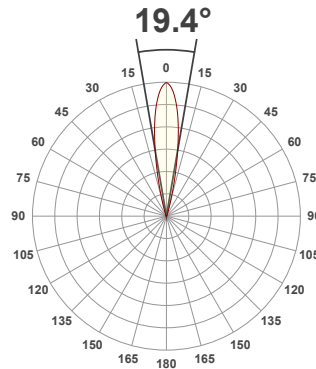
Light efficiency:



Light quality:



Color temperature:



Product name:

**300-LS-LED -
LED71-30-19-700mA**

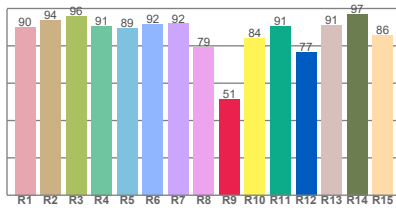
Item number:

**Axis Midi Long Snoot -
LED71-30-19-700mA**

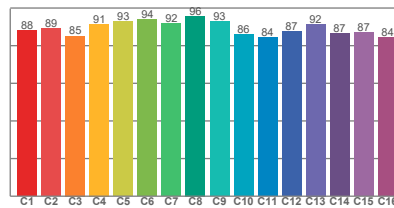
**Delivered information for
above fixture and LED
combination.**

Output: 1303 Lumen Peak intensity: 10706 cd Power consumption: 27.0

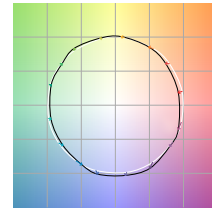
CRI R values



TM30 C Values

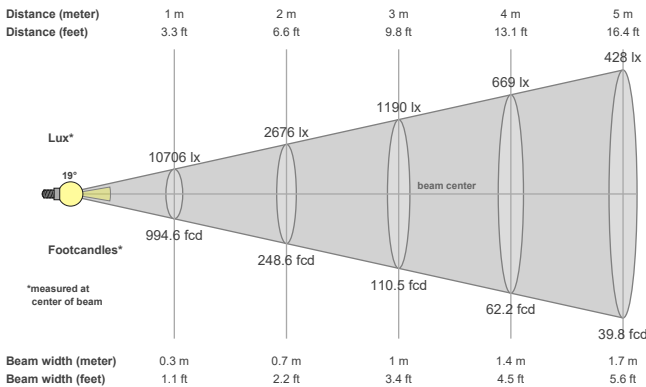


Color vector graphics



Color temperature	Color rendering index	Red component	Color fidelity	Color gamut	Color quality scale	Color coordinate cie 1931	Color coordinate cie 1931	Color coordinate	Color coordinate	Color deviation from black body
CCT	CRI	CRI R9	TM30 Rf	TM30 Rg	CQS	x	y	u	v	Δuv
3000 K	90.3	51.4	89.2	99.3	88.9	0.437	0.404	0.249	0.348	0.0006

Beam details



Beam angles

Beam angle 50%	Field angle 10%	Cutoff angle 2,5%
19.4°	32.4°	42.3°

Beam intensities

Peak intensity	Int. ratio in 120° cone	Int. ratio in 90° cone
10706 cd	99.7%	99.4%

Beam intensities from 1-20m

1m	2m	3m	4m	5m	6m	7m	8m	9m	10m	11m	12m	13m	14m	15m	16m	17m	18m	19m	20m
3.3ft	6.6ft	9.8ft	13.1ft	16.4ft	19.7ft	23ft	26.2ft	29.5ft	32.8ft	36.1ft	39.4ft	42.7ft	45.9ft	49.2ft	52.5ft	55.8ft	59.1ft	62.3ft	65.6ft
10706lx	2676lx	1190lx	669lx	428lx	297lx	218lx	167lx	132lx	107lx	88lx	74lx	63lx	55lx	48lx	42lx	37lx	33lx	30lx	27lx
994.6fcd	248.6fcd	110.5fcd	62.2fcd	39.8fcd	27.6fcd	20.3fcd	15.5fcd	12.3fcd	9.9fcd	8.2fcd	6.9fcd	5.9fcd	5.1fcd	4.4fcd	3.9fcd	3.4fcd	3.1fcd	2.8fcd	2.5fcd

The above information is for 3000K colour temperature, for specific module information please see LED spec located on our website

For information regarding other colour temperatures please use the following factors for lumen output and candelas:

2700K = 1
4000K = 1.084

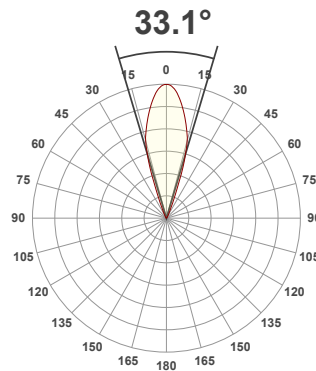
Light efficiency:



Light quality:



Color temperature:



Product name:

**300-LS-LED -
LED71-30-34-700mA**

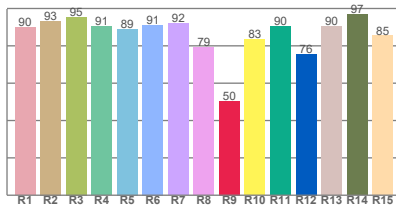
Item number:

**Axis Midi Long Snoot -
LED71-30-34-700mA**

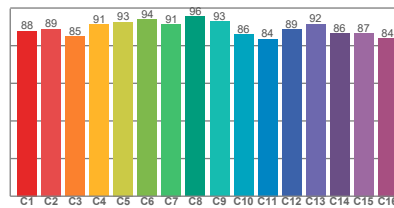
**Delivered information for above
fixture and LED combination.**

Output: 1189 Lumen Peak intensity: 4148 cd Power consumption: 27.0

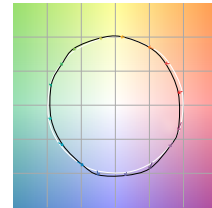
CRI R values



TM30 C Values

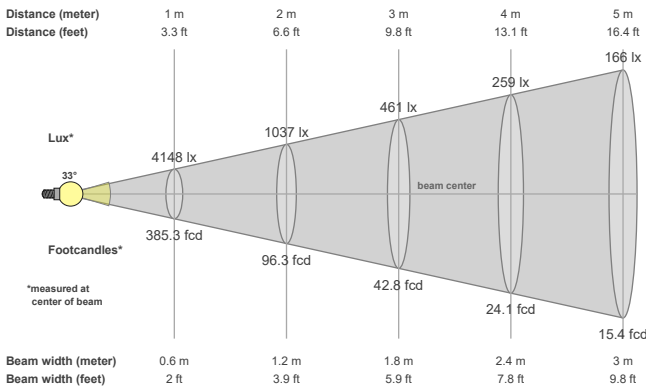


Color vector graphics



Color temperature	Color rendering index	Red component	Color fidelity	Color gamut	Color quality scale	Color coordinate cie 1931	Color coordinate cie 1931	Color coordinate	Color coordinate	Color deviation from black body
CCT	CRI	CRI R9	TM30 Rf	TM30 Rg	CQS	x	y	u	v	Δuv
3000 K	90.0	50.4	89.0	99.4	88.8	0.437	0.404	0.248	0.348	0.0009

Beam details



Beam angles

Beam angle 50%	Field angle 10%	Cutoff angle 2,5%
33.1°	46.2°	61.8°

Beam intensities

Peak intensity	Int. ratio in 120° cone	Int. ratio in 90° cone
4148 cd	99.6%	98.9%

Beam intensities from 1-20m

1m	2m	3m	4m	5m	6m	7m	8m	9m	10m	11m	12m	13m	14m	15m	16m	17m	18m	19m	20m
3.3ft	6.6ft	9.8ft	13.1ft	16.4ft	19.7ft	23ft	26.2ft	29.5ft	32.8ft	36.1ft	39.4ft	42.7ft	45.9ft	49.2ft	52.5ft	55.8ft	59.1ft	62.3ft	65.6ft
4148lx	1037lx	461lx	259lx	166lx	115lx	85lx	65lx	51lx	41lx	34lx	29lx	25lx	21lx	18lx	16lx	14lx	13lx	11lx	10lx
385.3fcd	96.3fcd	42.8fcd	24.1fcd	15.4fcd	10.7fcd	7.9fcd	6fcd	4.8fcd	3.9fcd	3.2fcd	2.7fcd	2.3fcd	2fcd	1.7fcd	1.5fcd	1.3fcd	1.2fcd	1.1fcd	1fcd

The above information is for 3000K colour temperature, for specific module information please see LED spec located on our website

For information regarding other colour temperatures please use the following factors for lumen output and candelas:

2700K = 1
4000K = 1.084