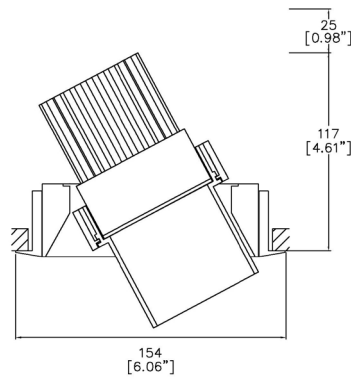


Axis5 Long Snoot



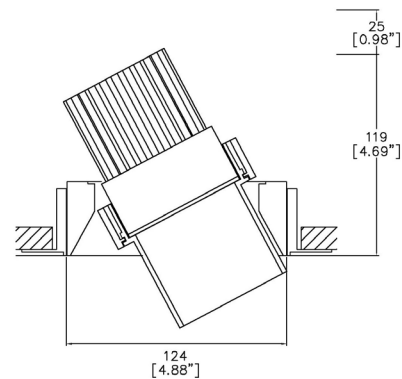
Axis provides high performance electronics and architectural aesthetics in 3.5" and 5" trim with a n option of tapered or straight snoots. Axis products come as standard adjustable in a flanged or trimless installation kit. Tray, retrofit and housing installation methods (NIC, IC, AT, T24 and CCEA) Multiple configurations for equal spacing also available. Lucent modules available in a wide range of color temperatures, beam angles, intensities, and effects (Ambiance Warm-Dim and Dynamic Tuneable White). MR16 and GU10 LED lamp options available. TRIAC/Phase, 0-10v/1-10v, DMX and DALI/Digital dimming.



A300/2-LS-LED-TR
Cut-out 148mm (5.82") Ø



Installation kit for overlap flange



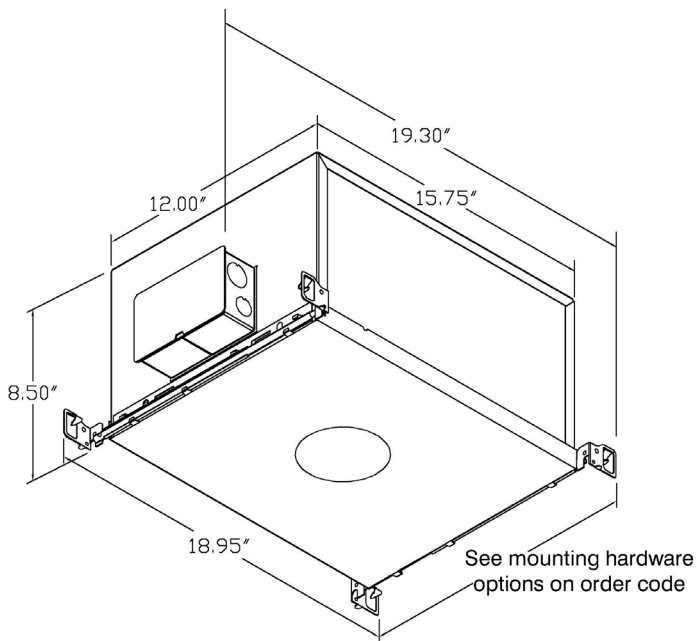
A300/2-LS-LED-TL
Cut-out 145mm (5.70") Ø



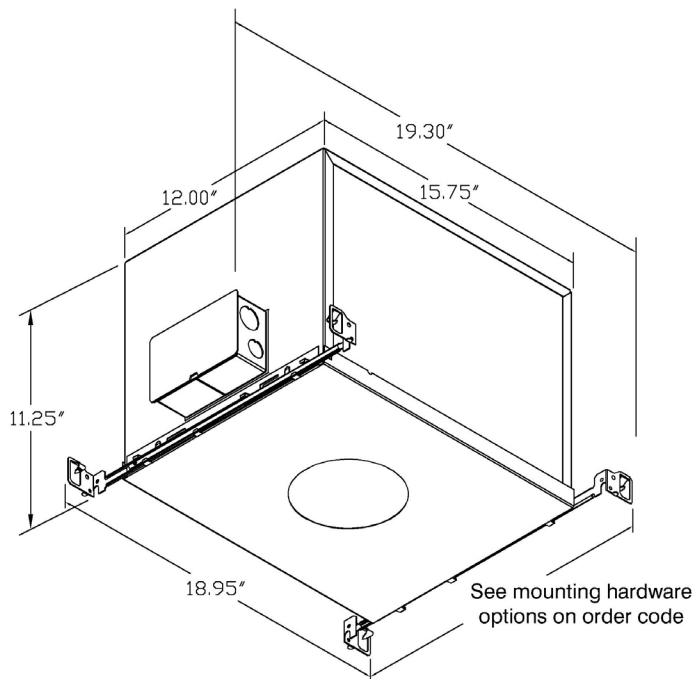
Mud-in kit for seamless/trimless

LED Source	LED71	LED71	LED71	LED71/U	LED71/U	LED71/U
CCT	3000K	3000K	3000K	3000K	3000K	3000K
Drive Current	700mA	700mA	700mA	700mA	700mA	700mA
Power inc Driver	27W	27W	27W	27W	27W	27W
Beam Angle	12°	19°	34°	12°	19°	34°
Delivered Lumens	1602	1303	1189	1188	1027	1067
Delivered Intensisty cd	25520	10706	4148	19176	8973	3537
Efficacy lm/w	59	48	44	44	38	39
Forward Volt	33V	33V	33V	33V	33V	33V
CRI	≥90 CRI	≥90 CRI	≥90 CRI	≥98 CRI	≥98 CRI	≥98 CRI

Housing dimensions

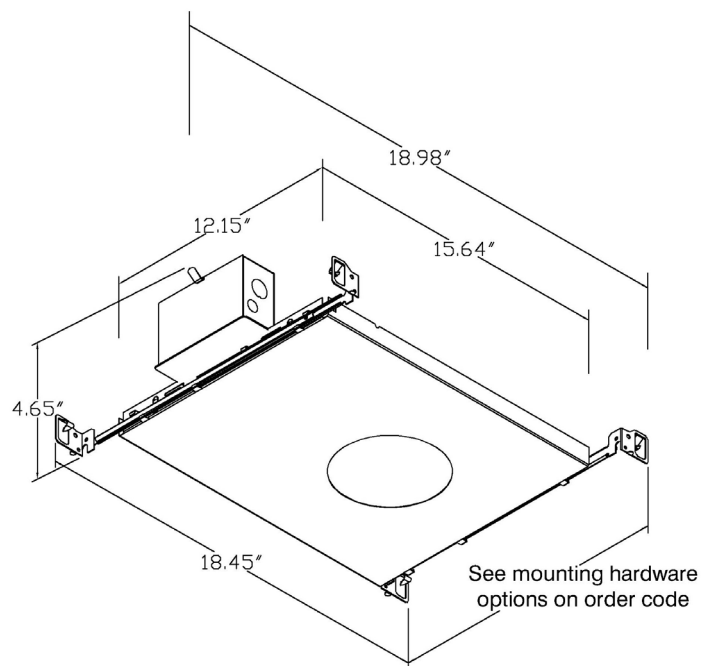


LH-8.50
Non-insulated ceiling

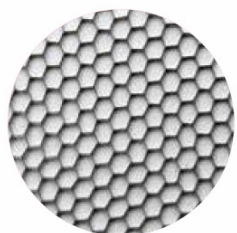


LH-11.25
Insulated/air-tight ceilings and
Chicago Plenum

Tray dimensions



LMT-15
Non-insulated ceilings



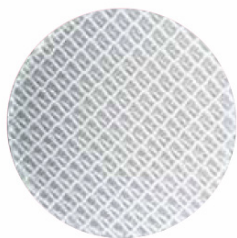
Honeycomb Louvre (MD45)



Solite/Diffusing Lens (MDDF)



Frosted Lens (MDFR)



Heavy Spread Lens (MDHS)



Linear Spread Lens (MDLS)



Warm Tone (MDCC)

Technical Details

*Custom color requires a paint chip or RAL code and may increase price and lead-time

It is the responsibility of the specifier/integrator/installer to check and ensure compatibility of any control equipment used. Additional cabling may be required depending on the dimming protocol specified.

**DALI Type 6 requires two DALI addresses, one for CCT control the other for intensity control. DALI Type 8 is a single DALI Type 8 address for CCT and intensity control. Please check which control system is being used before specifying.

**** Available for integration with Lutron Athena Control systems. Please contact Lucent Lighting Inc./Lutron factory for further details.

^ Depth indicated is the minimum recess depth for the luminaire with a remote mounted LED driver. Installing a driver through either the luminaire cut-out or installation kit may require additional recess depth, please refer to the relevant installation instructions prior to purchase.

First Fix Requirement. Luminaire comprised of fixture body with ceiling trim and installation kit, which is to be fitted into the ceiling once finished. Ensure correct alignment of the installation kit before final assembly (see luminaire installation instructions for details)

Location. Tested from underside of the ceiling.

Data correct at time of publishing. It is the policy of Lucent Lighting to continually review and improve its products and therefore reserve the right to change any details of product or withdraw specifications without prior notice.

This specification sheet supersedes all previous versions.

All intellectual property rights pertaining to the product described above and to this document are owned by or licensed to Lucent Lighting, Incorporated. Lucent Lighting reserves the right to take whatever action is necessary to protect its intellectual property, patents and trademarks

Please notify Lucent Lighting Inc. inaccuracies. E&OE



Light efficiency:

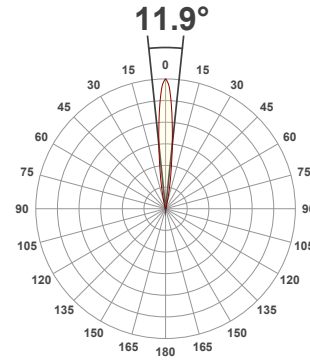
59 Lumen/Watt

Light quality:

CRI: 90.1

Color temperature:

3000 K



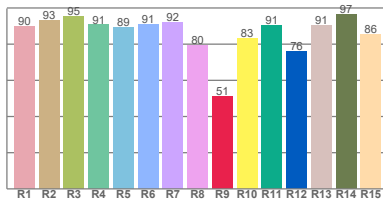
Product name:
300-LS-LED - LED71-30-12-700mA

Item number:
Axis Midi Long Snoot - LED71-30-12-700mA

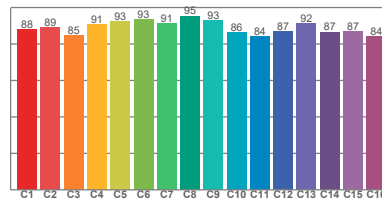
Delivered information for above fixture and LED combination.

Output: 1602 Lumen Peak intensity: 25520 cd Power consumption: 27.0

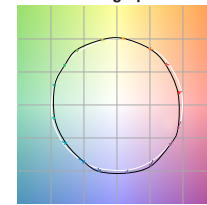
CRI R values



TM30 C Values

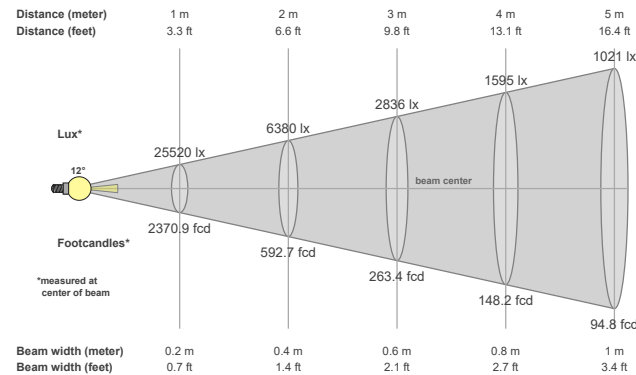


Color vector graphics



Color temperature	Color rendering index	Red component	Color fidelity	Color gamut	Color quality scale	Color coordinate cie 1931	Color coordinate cie 1931	Color coordinate	Color coordinate	Color deviation from black body
CCT	CRI	CRI R9	TM30 Rf	TM30 Rg	CQS	x	y	u	v	Δuv
3000 K	90.1	51.3	89.0	99.5	88.8	0.437	0.404	0.249	0.348	0.0007

Beam details



Beam angles

Beam angle 50%	Field angle 10%	Cutoff angle 2,5%
11.9°	24.6°	33.1°

Beam intensities

Peak intensity	Int. ratio in 120° cone	Int. ratio in 90° cone
25520 cd	99.6%	99.3%

Beam intensities from 1-20m

1m	2m	3m	4m	5m	6m	7m	8m	9m	10m	11m	12m	13m	14m	15m	16m	17m	18m	19m	20m
3.3ft	6.6ft	9.8ft	13.1ft	16.4ft	19.7ft	23ft	26.2ft	29.5ft	32.8ft	36.1ft	39.4ft	42.7ft	45.9ft	49.2ft	52.5ft	55.8ft	59.1ft	62.3ft	65.6ft
25520lx	6380lx	2836lx	1595lx	1021lx	709lx	521lx	399lx	315lx	255lx	211lx	177lx	151lx	130lx	113lx	100lx	88lx	79lx	71lx	64lx
2370.9fcd	592.7fcd	263.4fcd	148.2fcd	94.8fcd	65.9fcd	48.4fcd	37fcd	29.3fcd	23.7fcd	19.6fcd	16.5fcd	14fcd	12.1fcd	10.5fcd	9.3fcd	8.2fcd	7.3fcd	6.6fcd	5.9fcd

The above information is for 3000K colour temperature, for specific module information please see LED spec located on our website

For information regarding other colour temperatures please use the following factors for lumen output and candelas:

2700K = 1
4000K = 1.084

Light efficiency:

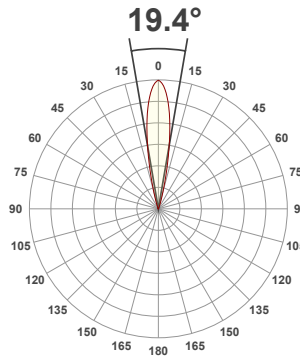
48 Lumen/Watt

Light quality:

CRI: 90.3

Color temperature:

3000 K



Product name:

**300-LS-LED -
LED71-30-19-700mA**

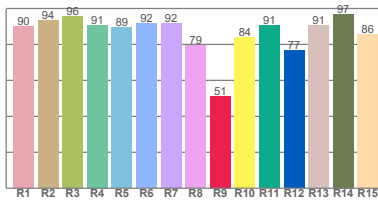
Item number:

**Axis Midi Long Snoot -
LED71-30-19-700mA**

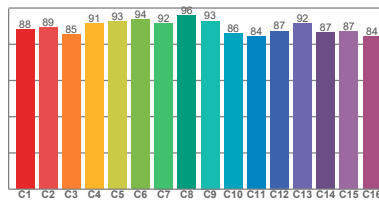
**Delivered information for
above fixture and LED
combination.**

Output: 1303 Lumen Peak intensity: 10706 cd Power consumption: 27.0

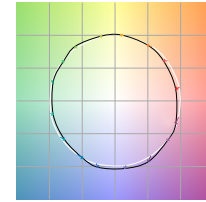
CRI R values



TM30 C Values

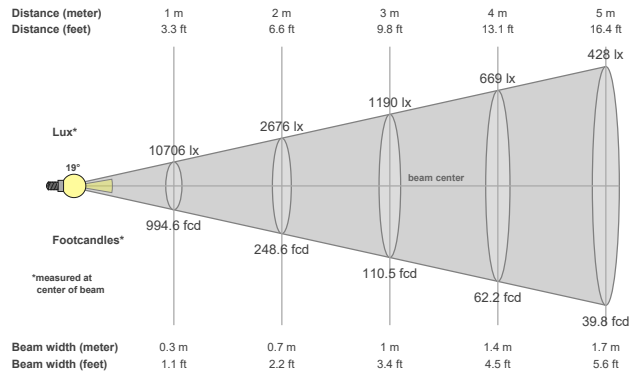


Color vector graphics



Color temperature	Color rendering index	Red component	Color fidelity	Color gamut	Color quality scale	Color coordinate cie 1931	Color coordinate cie 1931	Color coordinate	Color coordinate	Color deviation from black body
CCT	CRI	CRI R9	TM30 Rf	TM30 Rg	CQS	x	y	u	v	Δuv
3000 K	90.3	51.4	89.2	99.3	88.9	0.437	0.404	0.249	0.348	0.0006

Beam details



Beam angles

Beam angle 50%	Field angle 10%	Cutoff angle 2,5%
19.4°	32.4°	42.3°

Beam intensities

Peak intensity	Int. ratio in 120° cone	Int. ratio in 90° cone
10706 cd	99.7%	99.4%

Beam intensities from 1-20m

1m	2m	3m	4m	5m	6m	7m	8m	9m	10m	11m	12m	13m	14m	15m	16m	17m	18m	19m	20m
3.3ft	6.6ft	9.8ft	13.1ft	16.4ft	19.7ft	23ft	26.2ft	29.5ft	32.8ft	36.1ft	39.4ft	42.7ft	45.9ft	49.2ft	52.5ft	55.8ft	59.1ft	62.3ft	65.6ft
10706lx	2676lx	1190lx	669lx	428lx	297lx	218lx	167lx	132lx	107lx	88lx	74lx	63lx	55lx	48lx	42lx	37lx	33lx	30lx	27lx
994.6fcd	248.6fcd	110.5fcd	62.2fcd	39.8fcd	27.6fcd	20.3fcd	15.5fcd	12.3fcd	9.9fcd	8.2fcd	6.9fcd	5.9fcd	5.1fcd	4.4fcd	3.9fcd	3.4fcd	3.1fcd	2.8fcd	2.5fcd

The above information is for 3000K colour temperature, for specific module information please see LED spec located on our website

For information regarding other colour temperatures please use the following factors for lumen output and candelas:

2700K = 1

4000K = 1.084

Light efficiency:

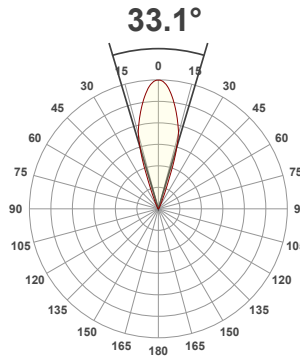
44 Lumen/Watt

Light quality:

CRI: 90.0

Color temperature:

3000 K



Product name:

**300-LS-LED -
LED71-30-34-700mA**

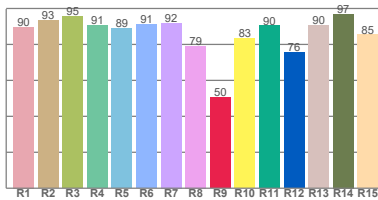
Item number:

**Axis Midi Long Snoot -
LED71-30-34-700mA**

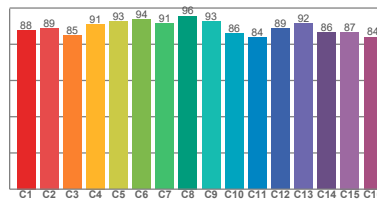
**Delivered information for above
fixture and LED combination.**

Output: 1189 Lumen Peak intensity: 4148 cd Power consumption: 27.0

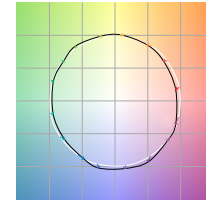
CRI R values



TM30 C Values

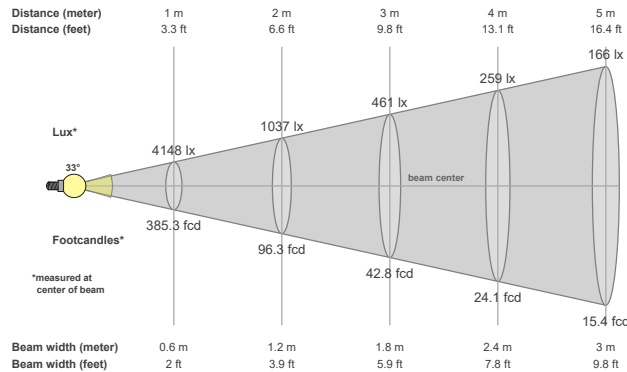


Color vector graphics



Color temperature	Color rendering index	Red component	Color fidelity	Color gamut	Color quality scale	Color coordinate cie 1931	Color coordinate cie 1931	Color coordinate	Color coordinate	Color deviation from black body
CCT	CRI	CRI R9	TM30 Rf	TM30 Rg	CQS	x	y	u	v	Δuv
3000 K	90.0	50.4	89.0	99.4	88.8	0.437	0.404	0.248	0.348	0.0009

Beam details



Beam angles

Beam angle 50%	Field angle 10%	Cutoff angle 2,5%
33.1°	46.2°	61.8°

Beam intensities

Peak intensity	Int. ratio in 120° cone	Int. ratio in 90° cone
4148 cd	99.6%	98.9%

Beam intensities from 1-20m

1m	2m	3m	4m	5m	6m	7m	8m	9m	10m	11m	12m	13m	14m	15m	16m	17m	18m	19m	20m
3.3ft	6.6ft	9.8ft	13.1ft	16.4ft	19.7ft	23ft	26.2ft	29.5ft	32.8ft	36.1ft	39.4ft	42.7ft	45.9ft	49.2ft	52.5ft	55.8ft	59.1ft	62.3ft	65.6ft
4148lx	1037lx	461lx	259lx	166lx	115lx	85lx	65lx	51lx	41lx	34lx	29lx	25lx	21lx	18lx	16lx	14lx	13lx	11lx	10lx
385.3fcd	96.3fcd	42.8fcd	24.1fcd	15.4fcd	10.7fcd	7.9fcd	6fcd	4.8fcd	3.9fcd	3.2fcd	2.7fcd	2.3fcd	2fcd	1.7fcd	1.5fcd	1.3fcd	1.2fcd	1.1fcd	1fcd

The above information is for 3000K colour temperature, for specific module information please see LED spec located on our website

For information regarding other colour temperatures please use the following factors for lumen output and candelas:

2700K = 1

4000K = 1.084

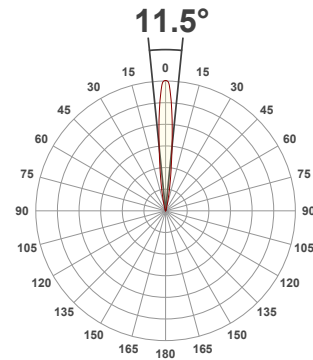
Light efficiency:



Light quality:



Color temperature:



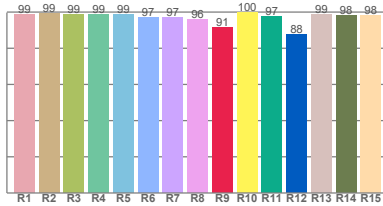
Product name:
300-LS-LED - LED71_U-30-12-700mA

Item number:
Axis Midi Straight Snoot - LED71/U-30-12-700mA

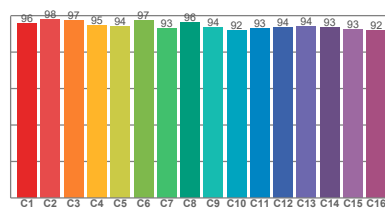
Delivered information for above fixture and LED combination.

Output: 1188 Lumen Peak intensity: 19176 cd Power consumption: 27.0

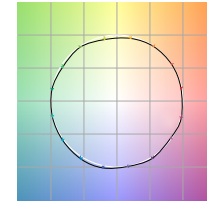
CRI R values



TM30 C Values

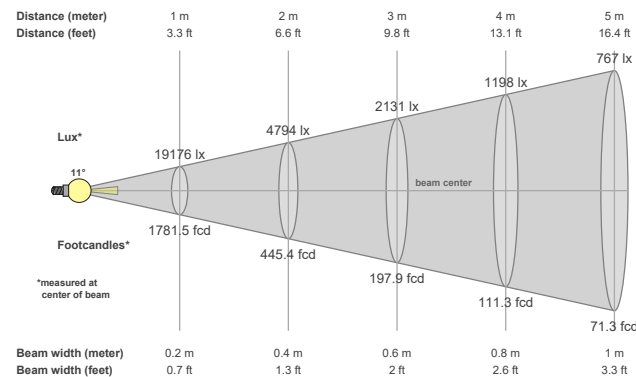


Color vector graphics



Color temperature	Color rendering index	Red component	Color fidelity	Color gamut	Color quality scale	Color coordinate cie 1931	Color coordinate cie 1931	Color coordinate	Color coordinate	Color deviation from black body
CCT	CRI	CRI R9	TM30 Rf	TM30 Rg	CQS	x	y	u	v	Δuv
3000 K	98.1	91.4	94.5	99.3	95.9	0.437	0.404	0.249	0.347	0.0002

Beam details



Beam angles

Beam angle 50%	Field angle 10%	Cutoff angle 2,5%
11.5°	24.3°	35.1°

Beam intensities

Peak intensity	Int. ratio in 120° cone	Int. ratio in 90° cone
19176 cd	99.6%	99.3%

Beam intensities from 1-20m

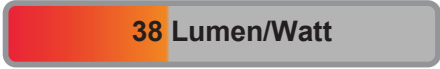
1m	2m	3m	4m	5m	6m	7m	8m	9m	10m	11m	12m	13m	14m	15m	16m	17m	18m	19m	20m
3.3ft	6.6ft	9.8ft	13.1ft	16.4ft	19.7ft	23ft	26.2ft	29.5ft	32.8ft	36.1ft	39.4ft	42.7ft	45.9ft	49.2ft	52.5ft	55.8ft	59.1ft	62.3ft	65.6ft
19176lx	4794lx	2131lx	1198lx	767lx	533lx	391lx	300lx	237lx	192lx	158lx	133lx	113lx	98lx	85lx	75lx	66lx	59lx	53lx	48lx
1781.5fcd	445.4fcd	197.9fcd	111.3fcd	71.3fcd	49.5fcd	36.4fcd	27.8fcd	22fcd	17.8fcd	14.7fcd	12.4fcd	10.5fcd	9.1fcd	7.9fcd	7fcd	6.2fcd	5.5fcd	4.9fcd	4.5fcd

The above information is for 3000K colour temperature, for specific module information please see LED spec located on our website

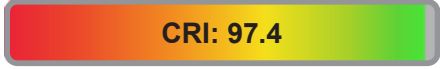
For information regarding other colour temperatures please use the following factors for lumen output and candelas:

2700K = 1

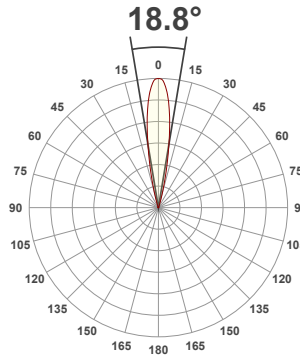
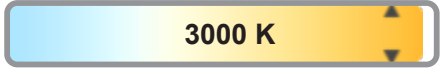
Light efficiency:



Light quality:



Color temperature:



Product name:

**300-LS-LED -
LED71_U-30-19-700mA**

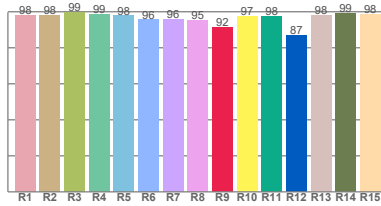
Item number:

**Axis Midi Straight Snoot -
LED71/U-30-19-700mA**

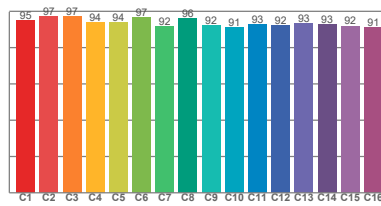
**Delivered information for above
fixture and LED combination.**

Output: 1027 Lumen Peak intensity: 8973 cd Power consumption: 27.0

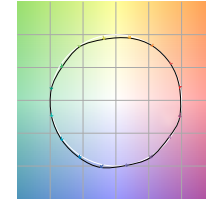
CRI R values



TM30 C Values

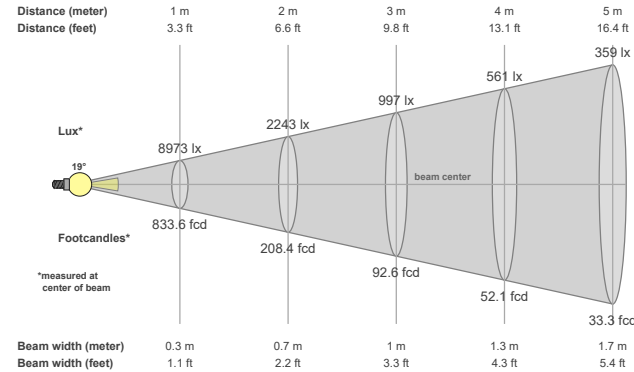


Color vector graphics



Color temperature	Color rendering index	Red component	Color fidelity	Color gamut	Color quality scale	Color coordinate cie 1931	Color coordinate cie 1931	Color coordinate	Color coordinate	Color deviation from black body
CCT	CRI	CRI R9	TM30 Rf	TM30 Rg	CQS	x	y	u	v	Δuv
3000 K	97.4	91.5	93.9	99.2	95.5	0.437	0.404	0.249	0.346	-0.0012

Beam details



Beam angles

Beam angle 50%	Field angle 10%	Cutoff angle 2,5%
18.8°	31.2°	40.1°

Beam intensities

Peak intensity	Int. ratio in 120° cone	Int. ratio in 90° cone
8973 cd	99.4%	99.1%

Beam intensities from 1-20m

1m	2m	3m	4m	5m	6m	7m	8m	9m	10m	11m	12m	13m	14m	15m	16m	17m	18m	19m	20m
3.3ft	6.6ft	9.8ft	13.1ft	16.4ft	19.7ft	23ft	26.2ft	29.5ft	32.8ft	36.1ft	39.4ft	42.7ft	45.9ft	49.2ft	52.5ft	55.8ft	59.1ft	62.3ft	65.6ft
8973lx	2243lx	997lx	561lx	359lx	249lx	183lx	140lx	111lx	90lx	74lx	62lx	53lx	46lx	40lx	35lx	31lx	28lx	25lx	22lx
833.6fcd	208.4fcd	92.6fcd	52.1fcd	33.3fcd	23.2fcd	17fcd	13fcd	10.3fcd	8.3fcd	6.9fcd	5.8fcd	4.9fcd	4.3fcd	3.7fcd	3.3fcd	2.9fcd	2.6fcd	2.3fcd	2.1fcd

The above information is for 3000K colour temperature, for specific module information please see LED spec located on our website

For information regarding other colour temperatures please use the following factors for lumen output and candelas:

2700K = 1

Light efficiency:

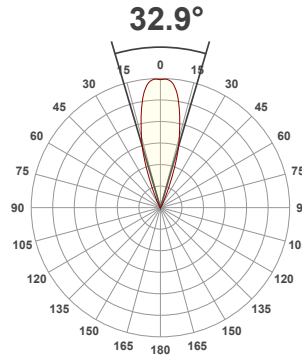
39 Lumen/Watt

Light quality:

CRI: 97.3

Color temperature:

3000 K



Product name:

**300-LS-LED -
LED71_U-30-34-700mA**

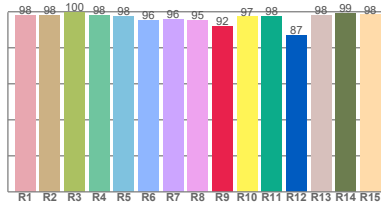
Item number:

**Axis Midi Straight Snoot -
LED71/U-30-34-700mA**

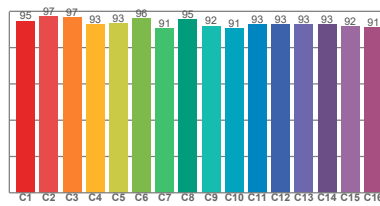
**Delivered information for above
fixture and LED combination.**

Output: 1067 Lumen Peak intensity: 3537 cd Power consumption: 27.0

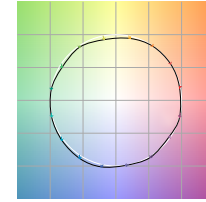
CRI R values



TM30 C Values

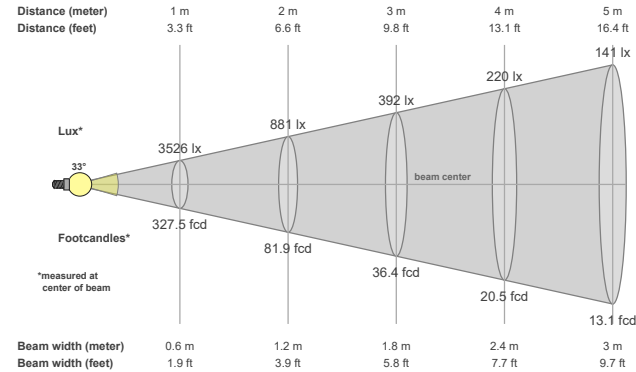


Color vector graphics



Color temperature	Color rendering index	Red component	Color fidelity	Color gamut	Color quality scale	Color coordinate cie 1931	Color coordinate cie 1931	Color coordinate	Color coordinate	Color deviation from black body
CCT	CRI	CRI R9	TM30 Rf	TM30 Rg	CQS	x	y	u	v	Δuv
3000 K	97.3	91.9	93.6	98.8	95.4	0.437	0.404	0.250	0.347	-0.0008

Beam details



Beam angles

Beam angle 50%	Field angle 10%	Cutoff angle 2,5%
32.9°	49.3°	61.3°

Beam intensities

Peak intensity	Int. ratio in 120° cone	Int. ratio in 90° cone
3537 cd	99.7%	99.3%

Beam intensities from 1-20m

1m	2m	3m	4m	5m	6m	7m	8m	9m	10m	11m	12m	13m	14m	15m	16m	17m	18m	19m	20m
3.3ft	6.6ft	9.8ft	13.1ft	16.4ft	19.7ft	23ft	26.2ft	29.5ft	32.8ft	36.1ft	39.4ft	42.7ft	45.9ft	49.2ft	52.5ft	55.8ft	59.1ft	62.3ft	65.6ft
3526lx	881lx	392lx	220lx	141lx	98lx	72lx	55lx	44lx	35lx	29lx	24lx	21lx	18lx	16lx	14lx	12lx	11lx	10lx	9lx
327.5fcd	81.9fcd	36.4fcd	20.5fcd	13.1fcd	9.1fcd	6.7fcd	5.1fcd	4fcd	3.3fcd	2.7fcd	2.3fcd	1.9fcd	1.7fcd	1.5fcd	1.3fcd	1.1fcd	1fcd	0.9fcd	0.8fcd

The above information is for 3000K colour temperature, for specific module information please see LED spec located on our website

For information regarding other colour temperatures please use the following factors for lumen output and candelas:

2700K = 1