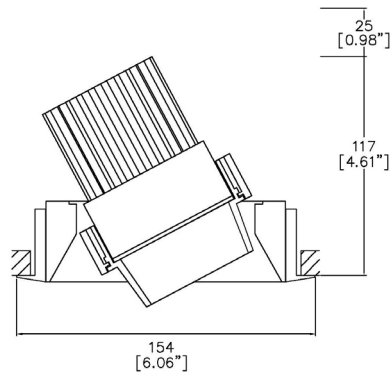


# Axis5 Standard Snoot



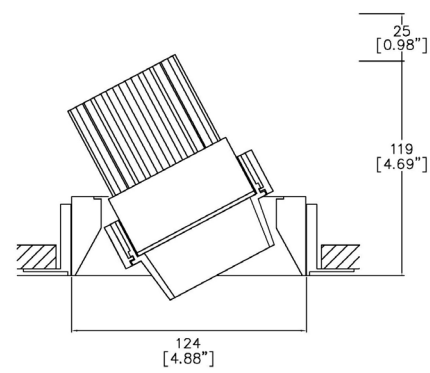
Axis provides high performance electronics and architectural aesthetics in 3.5" and 5" trim with a n option of tapered or straight snoots. Axis products come as standard adjustable in a flanged or trimless installation kit. Tray, retrofit and housing installation methods (NIC, IC, AT, T24 and CCEA) Multiple configurations for equal spacing also available. Lucent modules available in a wide range of color temperatures, beam angles, intensities, and effects (Ambiance Warm-Dim and Dynamic Tuneable White). MR16 and GU10 LED lamp options available. TRIAC/Phase, 0-10v/1-10v, DMX and DALI/Digital dimming.



A300/2-LED-TR  
Cut-out 148mm (5.82") Ø



**Installation kit for overlap flange**



A300/2-LED-TL  
Cut-out 145mm (5.70") Ø



**Mud-in kit for seamless/trimless**

LED Source	LED71	LED71	LED71	LED71/U	LED71/U	LED71/U
CCT	3000K	3000K	3000K	3000K	3000K	3000K
Drive Current	700mA	700mA	700mA	700mA	700mA	700mA
Power inc Driver	27W	27W	27W	27W	27W	27W
Beam Angle	12°	19°	34°	12°	19°	34°
Delivered Lumens	1721	1429	1463	1395	1099	1285
Delivered Intensisty cd	25940	11071	4290	21511	8548	3440
Efficacy lm/w	64	53	54	52	41	48
Forward Volt	33V	33V	33V	33V	33V	33V
CRI	≥90 CRI	≥90 CRI	≥90 CRI	≥98 CRI	≥98 CRI	≥98 CRI

Project Ref: \_\_\_\_\_

Location Ref: \_\_\_\_\_

Specify fixture part number (All boxes must be filled in to correctly order)

A300/2-LED														
------------	--	--	--	--	--	--	--	--	--	--	--	--	--	--

- Installation**
- TR Flange kit
  - TL Mud-in kit
- Finish**
- WH White
  - BK Black
  - RAL Custom\*
- Ceiling Thickness**
- SC Standard Ceiling (1/2"-5/8"-3/4")
  - C Custom

- LED Type**
- LED71 LED71 (90CRI)
  - LED71/U LED71/U (98CRI)
- CCT**
- 27 2700K
  - 30 3000K
  - 35 3500K
  - 40 4000K (90 CRI ONLY)

- Beam Angles**
- 12 12
  - 19 19
  - 34 34

- Housing/Tray**
- LMT-15-NIC Mounting Tray Non-Insulated ceilings
  - LH-8.50-NIC Housing 8.50" Non-Insulated ceilings
  - LH-11.25-AT/IC Housing 11.25" Insulated/Air-tight ceilings and Chicago Plenum

- Mounting Hardware**
- 09 9" to 15.25" - Adjustable Bar Hanger Lengths
  - 14 14" to 24" - Adjustable Bar Hanger Lengths
  - 36 28" to 36" - Adjustable Bar Hanger Lengths
  - BB Butterfly Bracket
  - CB Caterpillar Bracket

- Supply Voltage**
- 120 120V
  - 277 277V

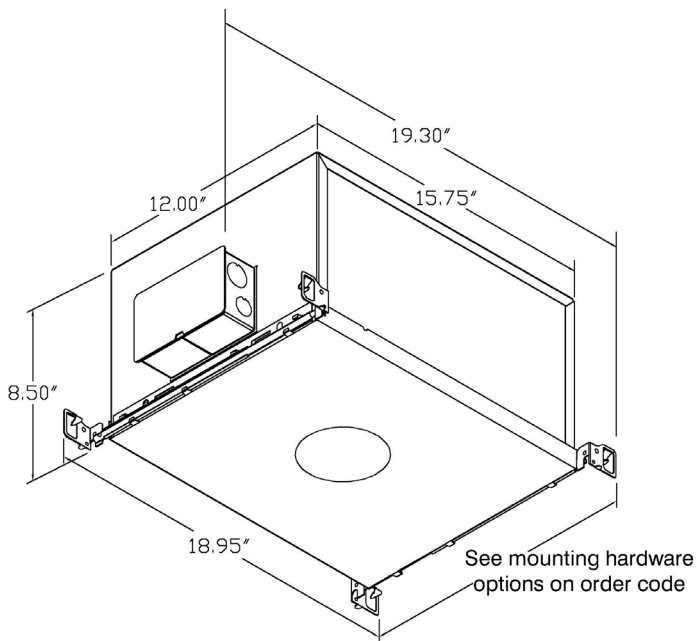
- Dimming Protocol**
- S Non-Dimmable
  - P TRIAC/Phase (120V ONLY) (25-10% Minimum Dimming)\*\*\*
  - AWN Athena wireless RF node\*\*\*\*
  - LHE EcoSystem Hi-Lume Fade to Black (1% Dimming)
  - LAE Lutron 3-Wire Hi-Lume (1% Dimming)
  - LHP Lutron Hi-Lume Premier EcoSystem (0.1% Dimming)
  - A 0-10V (15-5% Minimum Dimming)\*\*\*
  - ESD EldoLED Solo DALI2 (0.1% Dimming)
  - EED EldoLED Eco DALI2 (1% Dimming)
  - ESA EldoLED Solo 0-10V/1-10V (0.1% Dimming)
  - EEA EldoLED Eco 0-10V/1-10V (1% Dimming)
  - B Bluetooth\*\*

- Emergency**
- E 1.5h Emergency
  - ES 1.5h Self test

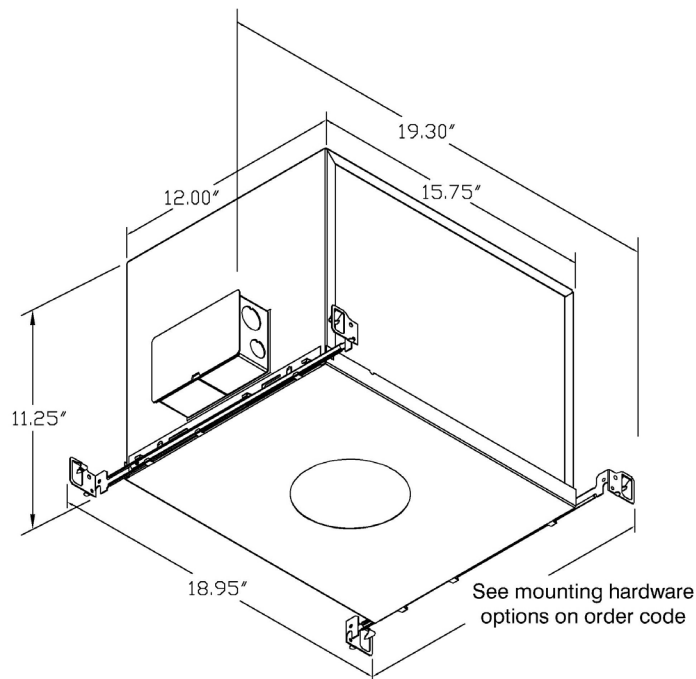
- Louvre/Lens**
- XX Not required
  - MD45 Honeycomb
  - MDCC Warm Tone
  - MDUV UV
  - MDDF Solite/Diffusing
  - MDFR Frosted Lens
  - MDLS Linear Spread
  - MDHS Heavy Spread

\*Refer to Technical Details for more information

## Housing dimensions

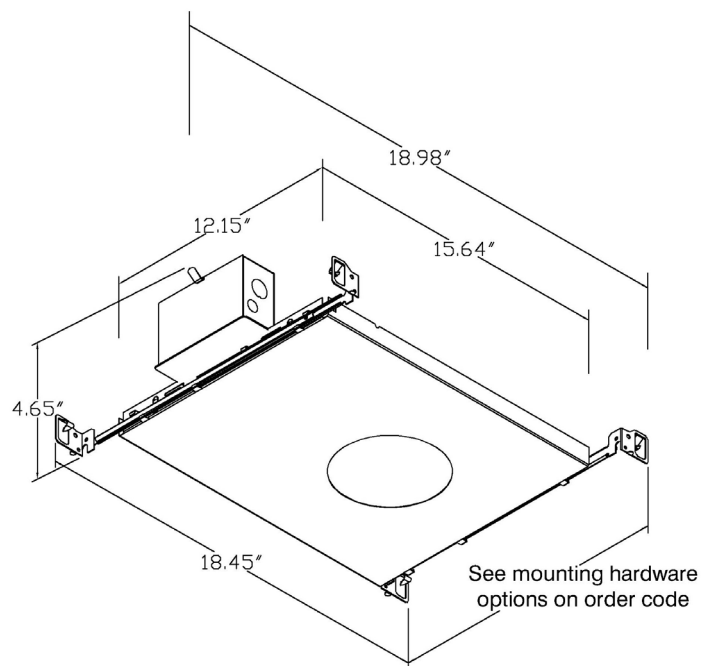


LH-8.50  
Non-insulated ceiling

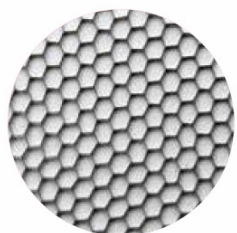


LH-11.25  
Insulated/air-tight ceilings and  
Chicago Plenum

## Tray dimensions



LMT-15  
Non-insulated ceilings



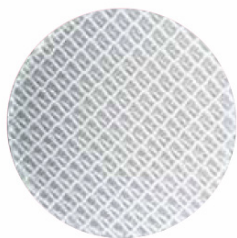
**Honeycomb Louvre (MD45)**



**Solite/Diffusing Lens (MDDF)**



**Frosted Lens (MDFR)**



**Heavy Spread Lens (MDHS)**



**Linear Spread Lens (MDLS)**



**Warm Tone (MDCC)**

---

## Technical Details

\*Custom color requires a paint chip or RAL code and may increase price and lead-time

It is the responsibility of the specifier/integrator/installer to check and ensure compatibility of any control equipment used. Additional cabling may be required depending on the dimming protocol specified.

\*\*DALI Type 6 requires two DALI addresses, one for CCT control the other for intensity control. DALI Type 8 is a single DALI Type 8 address for CCT and intensity control. Please check which control system is being used before specifying.

\*\*\*\* Available for integration with Lutron Athena Control systems. Please contact Lucent Lighting Inc./Lutron factory for further details.

^ Depth indicated is the minimum recess depth for the luminaire with a remote mounted LED driver. Installing a driver through either the luminaire cut-out or installation kit may require additional recess depth, please refer to the relevant installation instructions prior to purchase.

First Fix Requirement. Luminaire comprised of fixture body with ceiling trim and installation kit, which is to be fitted into the ceiling once finished. Ensure correct alignment of the installation kit before final assembly (see luminaire installation instructions for details)

Location. Tested from underside of the ceiling.

Data correct at time of publishing. It is the policy of Lucent Lighting to continually review and improve its products and therefore reserve the right to change any details of product or withdraw specifications without prior notice.

This specification sheet supersedes all previous versions.

All intellectual property rights pertaining to the product described above and to this document are owned by or licensed to Lucent Lighting, Incorporated. Lucent Lighting reserves the right to take whatever action is necessary to protect its intellectual property, patents and trademarks

Please notify Lucent Lighting Inc. inaccuracies. E&OE

---



Light efficiency:

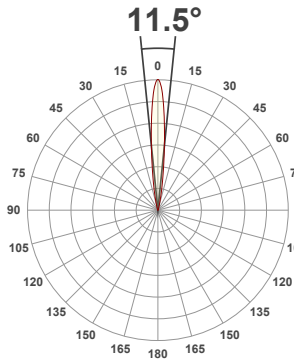
**64 Lumen/Watt**

Light quality:

**CRI: 90.1**

Color temperature:

**3000 K**



Product name:

**300-LED - LED71-30-12-700mA**

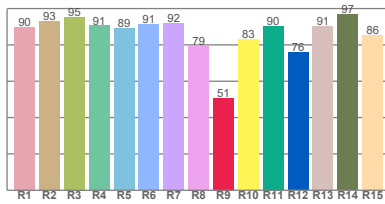
Item number:

**Axis Midi Standard Snoot - LED71-30-12-700mA**

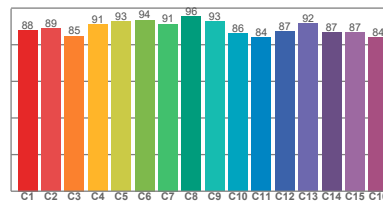
Delivered information for above fixture and LED combination.

Output: 1721 Lumen Peak intensity: 25940 cd Power consumption: 27.0

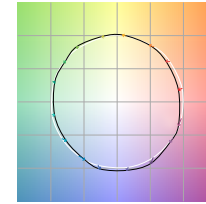
CRI R values



TM30 C Values

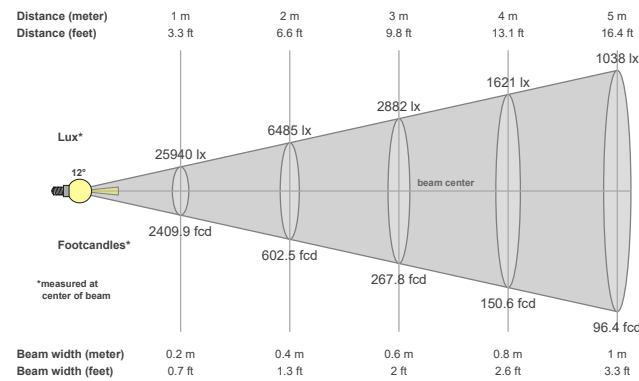


Color vector graphics



Color temperature	Color rendering index	Red component	Color fidelity	Color gamut	Color quality scale	Color coordinate cie 1931	Color coordinate cie 1931	Color coordinate	Color coordinate	Color deviation from black body
CCT	CRI	CRI R9	TM30 Rf	TM30 Rg	CQS	x	y	u	v	Δuv
3000 K	90.1	50.8	89.1	99.4	88.8	0.437	0.404	0.249	0.348	0.0008

Beam details



Beam angles

Beam angle 50%	Field angle 10%	Cutoff angle 2,5%
11.5°	24.2°	35.3°

Beam intensities

Peak intensity	Int. ratio in 120° cone	Int. ratio in 90° cone
25940 cd	99.5%	98.7%

Beam intensities from 1-20m

1m	2m	3m	4m	5m	6m	7m	8m	9m	10m	11m	12m	13m	14m	15m	16m	17m	18m	19m	20m
3.3ft	6.6ft	9.8ft	13.1ft	16.4ft	19.7ft	23ft	26.2ft	29.5ft	32.8ft	36.1ft	39.4ft	42.7ft	45.9ft	49.2ft	52.5ft	55.8ft	59.1ft	62.3ft	65.6ft
25940lx	6485lx	2882lx	1621lx	1038lx	721lx	529lx	405lx	320lx	259lx	214lx	180lx	153lx	132lx	115lx	101lx	90lx	80lx	72lx	65lx
2409.9fcd	602.5fcd	267.8fcd	150.6fcd	96.4fcd	66.9fcd	49.2fcd	37.7fcd	29.8fcd	24.1fcd	19.9fcd	16.7fcd	14.3fcd	12.3fcd	10.7fcd	9.4fcd	8.3fcd	7.4fcd	6.7fcd	6fcd

The above information is for 3000K colour temperature, for specific module information please see LED spec located on our website

For information regarding other colour temperatures please use the following factors for lumen output and candelas:

2700K = 1  
4000K = 1.084

Light efficiency:

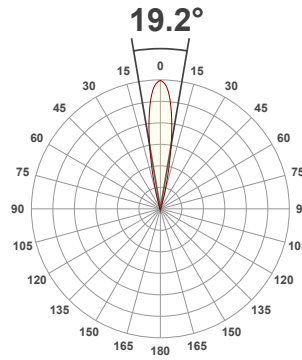
**53 Lumen/Watt**

Light quality:

**CRI: 90.4**

Color temperature:

**3000 K**



Product name:

**300-LED - LED71-30-19-700mA**

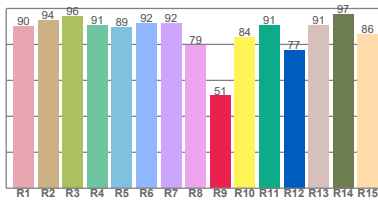
Item number:

**Axis Midi Standard Snoot - LED71-30-19-700mA**

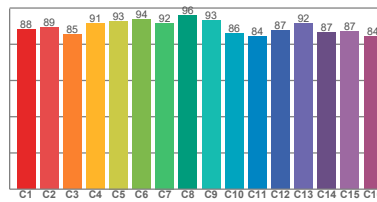
Delivered information for above fixture and LED combination.

Output: 1429 Lumen Peak intensity: 11071 cd Power consumption: 27.0

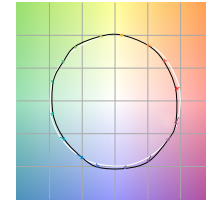
CRI R values



TM30 C Values

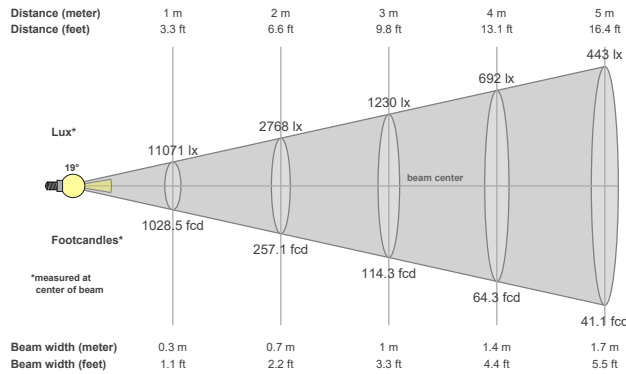


Color vector graphics



Color temperature	Color rendering index	Red component	Color fidelity	Color gamut	Color quality scale	Color coordinate cie 1931	Color coordinate cie 1931	Color coordinate	Color coordinate	Color deviation from black body
CCT	CRI	CRI R9	TM30 Rf	TM30 Rg	CQS	x	y	u	v	Δuv
3000 K	90.4	51.5	89.3	99.3	88.9	0.437	0.404	0.249	0.348	0.0006

## Beam details



## Beam angles

Beam angle 50%	Field angle 10%	Cutoff angle 2,5%
19.2°	32.3°	44.5°

## Beam intensities

Peak intensity	Int. ratio in 120° cone	Int. ratio in 90° cone
11071 cd	99.2%	98.0%

## Beam intensities from 1-20m

1m	2m	3m	4m	5m	6m	7m	8m	9m	10m	11m	12m	13m	14m	15m	16m	17m	18m	19m	20m
3.3ft	6.6ft	9.8ft	13.1ft	16.4ft	19.7ft	23ft	26.2ft	29.5ft	32.8ft	36.1ft	39.4ft	42.7ft	45.9ft	49.2ft	52.5ft	55.8ft	59.1ft	62.3ft	65.6ft
11071lx	2768lx	1230lx	692lx	443lx	308lx	226lx	173lx	137lx	111lx	91lx	77lx	66lx	56lx	49lx	43lx	38lx	34lx	31lx	28lx
1028.5fcd	257.1fcd	114.3fcd	64.3fcd	41.1fcd	28.6fcd	21fcd	16.1fcd	12.7fcd	10.3fcd	8.5fcd	7.1fcd	6.1fcd	5.2fcd	4.6fcd	4fcd	3.6fcd	3.2fcd	2.8fcd	2.6fcd

The above information is for 3000K colour temperature, for specific module information please see LED spec located on our website

For information regarding other colour temperatures please use the following factors for lumen output and candelas:

2700K = 1

4000K = 1.084

Light efficiency:

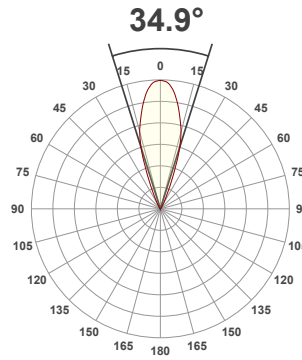
**54 Lumen/Watt**

Light quality:

**CRI: 90.0**

Color temperature:

**3000 K**



Product name:

**300-LED - LED71-30-34-700mA**

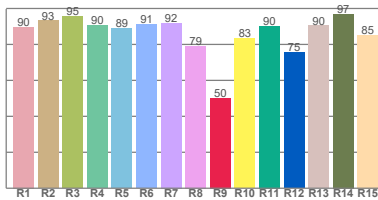
Item number:

**Axis Midi Standard Snoot - LED71-30-34-700mA**

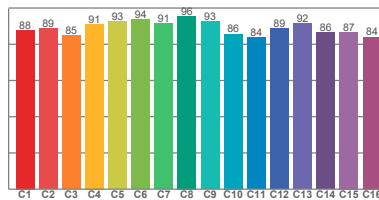
Delivered information for above fixture and LED combination.

Output: 1463 Lumen Peak intensity: 4290 cd Power consumption: 27.0

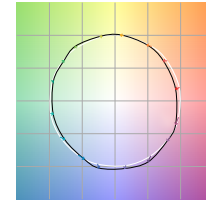
CRI R values



TM30 C Values

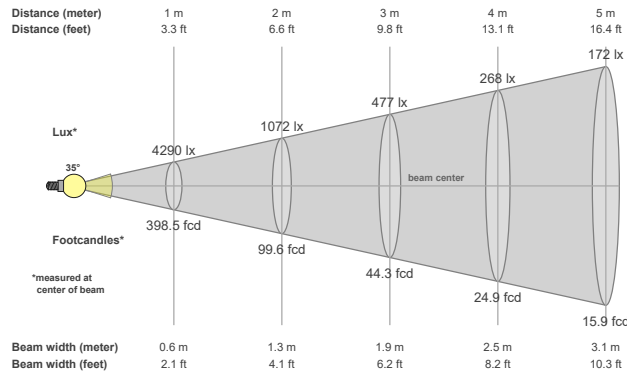


Color vector graphics



Color temperature	Color rendering index	Red component	Color fidelity	Color gamut	Color quality scale	Color coordinate cie 1931	Color coordinate cie 1931	Color coordinate	Color coordinate	Color deviation from black body
CCT	CRI	CRI R9	TM30 Rf	TM30 Rg	CQS	x	y	u	v	Δuv
3000 K	90.0	50.3	89.0	99.3	88.8	0.437	0.404	0.248	0.348	0.0010

## Beam details



## Beam angles

Beam angle 50%	Field angle 10%	Cutoff angle 2,5%
34.9°	52.2°	70°

## Beam intensities

Peak intensity	Int. ratio in 120° cone	Int. ratio in 90° cone
4290 cd	99.4%	97.9%

## Beam intensities from 1-20m

1m	2m	3m	4m	5m	6m	7m	8m	9m	10m	11m	12m	13m	14m	15m	16m	17m	18m	19m	20m
3.3ft	6.6ft	9.8ft	13.1ft	16.4ft	19.7ft	23ft	26.2ft	29.5ft	32.8ft	36.1ft	39.4ft	42.7ft	45.9ft	49.2ft	52.5ft	55.8ft	59.1ft	62.3ft	65.6ft
4290lx	1072lx	477lx	268lx	172lx	119lx	88lx	67lx	53lx	43lx	35lx	30lx	25lx	22lx	19lx	17lx	15lx	13lx	12lx	11lx
398.5fcd	99.6fcd	44.3fcd	24.9fcd	15.9fcd	11.1fcd	8.1fcd	6.2fcd	4.9fcd	4fcd	3.3fcd	2.8fcd	2.4fcd	2fcd	1.8fcd	1.6fcd	1.4fcd	1.2fcd	1.1fcd	1fcd

The above information is for 3000K colour temperature, for specific module information please see LED spec located on our website

For information regarding other colour temperatures please use the following factors for lumen output and candelas:

2700K = 1

4000K = 1.084

## Light efficiency:

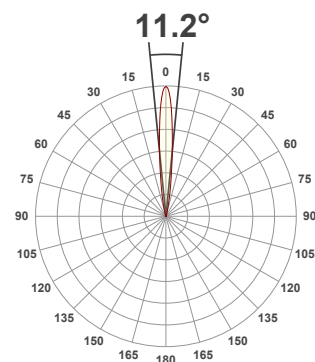
**52 Lumen/Watt**

## Light quality:

**CRI: 98.5**

## Color temperature:

**3000 K**



## Product name:

**300-LED - LED71\_U-30-12-700mA**

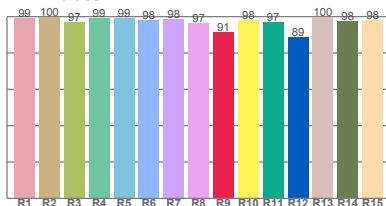
## Item number:

**Axis Midi Standard Snoot - LED71/U-30-12-700mA**

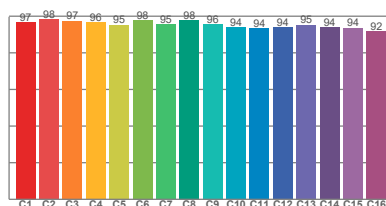
**Delivered information for above fixture and LED combination.**

**Output: 1395 Lumen Peak intensity: 21511 cd Power consumption: 27.0**

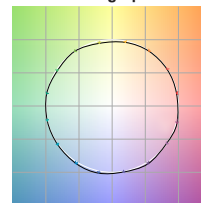
### CRI R values



### TM30 C Values

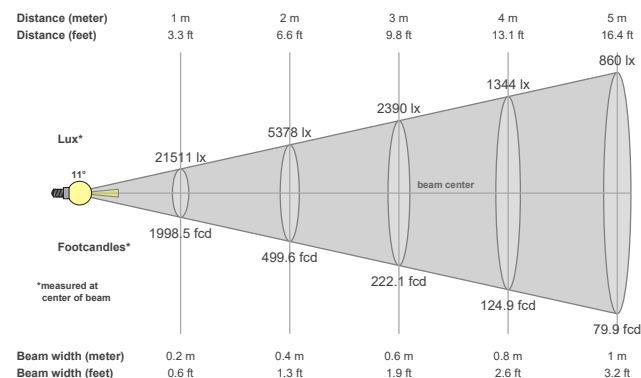


### Color vector graphics



Color temperature	Color rendering index	Red component	Color fidelity	Color gamut	Color quality scale	Color coordinate cie 1931	Color coordinate cie 1931	Color coordinate	Color coordinate	Color deviation from black body
CCT	CRI	CRI R9	TM30 Rf	TM30 Rg	CQS	x	y	u	v	Δuv
3000 K	98.5	91.2	95.6	100.1	96.2	0.437	0.404	0.249	0.348	0.0006

### Beam details



### Beam angels

Beam angle 50%	Field angle 10%	Cutoff angle 2,5%
11.2°	23.7°	35.4°

### Beam intensities

Peak intensity	Int. ratio in 120° cone	Int. ratio in 90° cone
21511 cd	99.5%	98.8%

### Beam intensities from 1-20m

1m	2m	3m	4m	5m	6m	7m	8m	9m	10m	11m	12m	13m	14m	15m	16m	17m	18m	19m	20m
3.3ft	6.6ft	9.8ft	13.1ft	16.4ft	19.7ft	23ft	26.2ft	29.5ft	32.8ft	36.1ft	39.4ft	42.7ft	45.9ft	49.2ft	52.5ft	55.8ft	59.1ft	62.3ft	65.6ft
21511lx	5378lx	2390lx	1344lx	860lx	598lx	439lx	336lx	266lx	215lx	178lx	149lx	127lx	110lx	96lx	84lx	74lx	66lx	60lx	54lx
1998.5fcd	499.6fcd	222.1fcd	124.9fcd	79.9fcd	55.5fcd	40.8fcd	31.2fcd	24.7fcd	20fcd	16.5fcd	13.9fcd	11.8fcd	10.2fcd	8.9fcd	7.8fcd	6.9fcd	6.2fcd	5.5fcd	5fcd

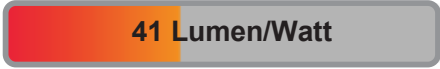
The above information is for 3000K colour temperature, for specific module information please see LED spec located on our website

For information regarding other colour temperatures please use the following factors for lumen output and candelas:

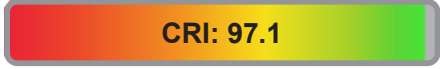
2700K = 1



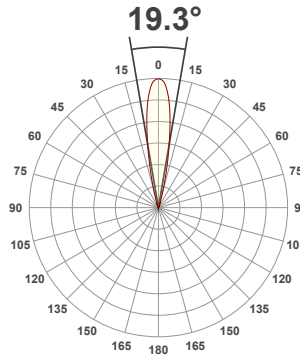
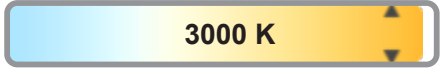
**Light efficiency:**



**Light quality:**



**Color temperature:**



**Product name:**

**300-LED - LED71\_U-30-19-700mA**

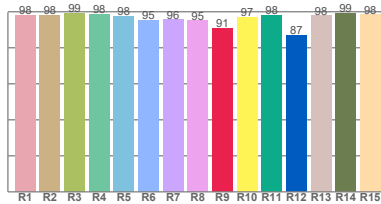
**Item number:**

**Axis Midi Standard Snoot - LED71/U-30-19-700mA**

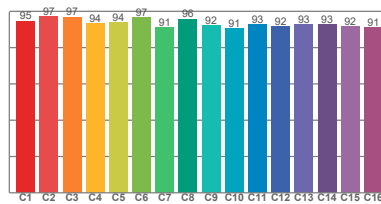
**Delivered information for above fixture and LED combination.**

**Output: 1099 Lumen Peak intensity: 8548 cd Power consumption: 27.0**

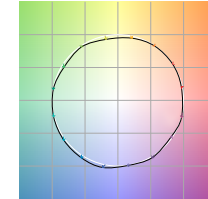
**CRI R values**



**TM30 C Values**

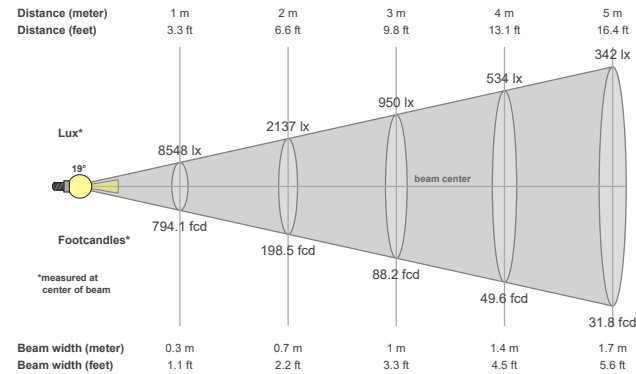


**Color vector graphics**



Color temperature	Color rendering index	Red component	Color fidelity	Color gamut	Color quality scale	Color coordinate cie 1931	Color coordinate cie 1931	Color coordinate	Color coordinate	Color deviation from black body
CCT	CRI	CRI R9	TM30 Rf	TM30 Rg	CQS	x	y	u	v	Δuv
3000 K	97.1	91.1	93.7	99.1	95.4	0.437	0.404	0.249	0.345	-0.0014

**Beam details**



**Beam angles**

Beam angle 50%	Field angle 10%	Cutoff angle 2,5%
19.3°	32.1°	43°

**Beam intensities**

Peak intensity	Int. ratio in 120° cone	Int. ratio in 90° cone
8548 cd	99.3%	98.1%

**Beam intensities from 1-20m**

1m	2m	3m	4m	5m	6m	7m	8m	9m	10m	11m	12m	13m	14m	15m	16m	17m	18m	19m	20m
3.3ft	6.6ft	9.8ft	13.1ft	16.4ft	19.7ft	23ft	26.2ft	29.5ft	32.8ft	36.1ft	39.4ft	42.7ft	45.9ft	49.2ft	52.5ft	55.8ft	59.1ft	62.3ft	65.6ft
8548lx	2137lx	950lx	534lx	342lx	237lx	174lx	134lx	106lx	85lx	71lx	59lx	51lx	44lx	38lx	33lx	30lx	26lx	24lx	21lx
794.1fcd	198.5fcd	88.2fcd	49.6fcd	31.8fcd	22.1fcd	16.2fcd	12.4fcd	9.8fcd	7.9fcd	6.6fcd	5.5fcd	4.7fcd	4.1fcd	3.5fcd	3.1fcd	2.7fcd	2.5fcd	2.2fcd	2fcd

The above information is for 3000K colour temperature, for specific module information please see LED spec located on our website

For information regarding other colour temperatures please use the following factors for lumen output and candelas:

2700K = 1

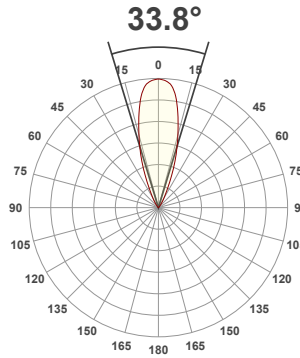
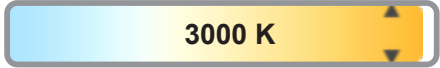
**Light efficiency:**



**Light quality:**



**Color temperature:**



**Product name:**

**300-LED - LED71\_U-30-34-700mA**

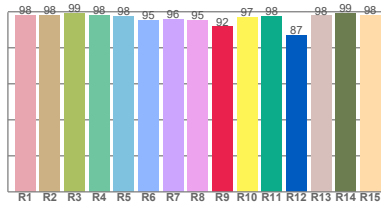
**Item number:**

**Axis Midi Standard Snoot - LED71/U-30-34-700mA**

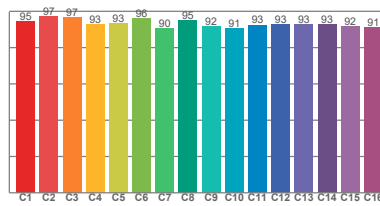
**Delivered information for above fixture and LED combination.**

**Output: 1285 Lumen Peak intensity: 3440 cd Power consumption: 27.0**

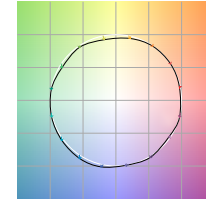
**CRI R values**



**TM30 C Values**

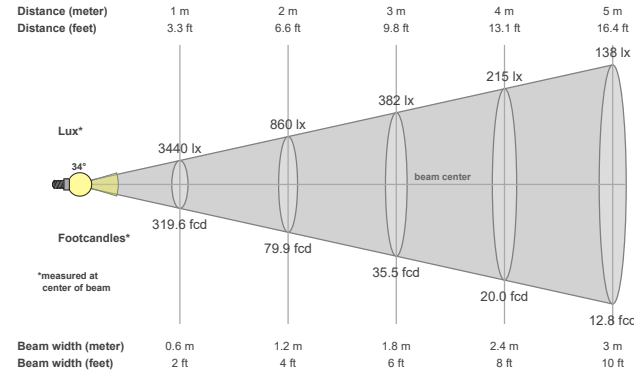


**Color vector graphics**



Color temperature	Color rendering index	Red component	Color fidelity	Color gamut	Color quality scale	Color coordinate cie 1931	Color coordinate cie 1931	Color coordinate	Color coordinate	Color deviation from black body
CCT	CRI	CRI R9	TM30 Rf	TM30 Rg	CQS	x	y	u	v	Δuv
3000 K	97.1	91.7	93.4	98.7	95.3	0.437	0.404	0.250	0.346	-0.0009

**Beam details**



**Beam angles**

Beam angle 50%	Field angle 10%	Cutoff angle 2,5%
33.8°	58.1°	76.5°

**Beam intensities**

Peak intensity	Int. ratio in 120° cone	Int. ratio in 90° cone
3440 cd	99.7%	98.6%

**Beam intensities from 1-20m**

1m	2m	3m	4m	5m	6m	7m	8m	9m	10m	11m	12m	13m	14m	15m	16m	17m	18m	19m	20m
3.3ft	6.6ft	9.8ft	13.1ft	16.4ft	19.7ft	23ft	26.2ft	29.5ft	32.8ft	36.1ft	39.4ft	42.7ft	45.9ft	49.2ft	52.5ft	55.8ft	59.1ft	62.3ft	65.6ft
3440lx	860lx	382lx	215lx	138lx	96lx	70lx	54lx	42lx	34lx	28lx	24lx	20lx	18lx	15lx	13lx	12lx	11lx	10lx	9lx
319.6fcd	79.9fcd	35.5fcd	20fcd	12.8fcd	8.9fcd	6.5fcd	5fcd	3.9fcd	3.2fcd	2.6fcd	2.2fcd	1.9fcd	1.6fcd	1.4fcd	1.2fcd	1.1fcd	1fcd	0.9fcd	0.8fcd

The above information is for 3000K colour temperature, for specific module information please see LED spec located on our website

For information regarding other colour temperatures please use the following factors for lumen output and candelas:

2700K = 1