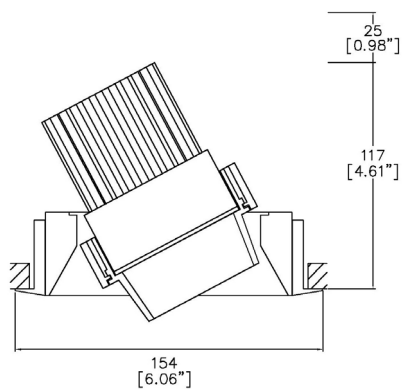


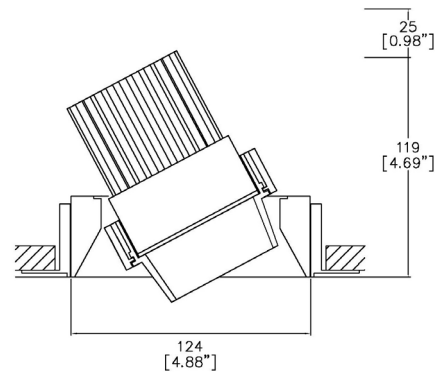
ProSpex Axis Midi2



154mm (6.06") overall trim diameter. 127mm (5") overall trimless diameter. Available with standard trim kit or plaster-in kit for flush appearance. Family of matching products also available. Required depth height + 25mm[^]



300/2-LED-TR
Up to 35° tilt
Cut-out 141mm Ø



300/2-LED-TL
Up to 35° tilt
Cut-out 141mm Ø

LED Source	LED71	LED71	LED71
CCT	3000K	3000K	3000K
Drive Current	700mA	700mA	700mA
Power inc Driver	27W	27W	27W
Beam Angle	12°	19°	34°
Delivered Lumens	1721	1429	1463
Delivered Intensisty cd	25940	11071	4290
Efficacy lm/w	64	53	54
Forward Volt	33V	33V	33V
CRI	≥90 CRI	≥90 CRI	≥90 CRI

Project Ref: _____

Location Ref: _____

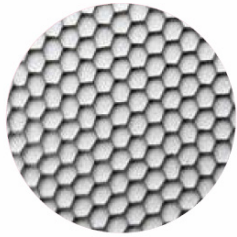
Fixture Order Code: - - -

Fixture 300/2-LED	Axis Midi2 with LED71
Installation TR TL	Trim Trimless
Finish WH BK RAL	White Black Custom RAL Colour*
Emergency E ED ES	Maintained 3hr Emergency Maintained 3hr DALI Self Test Maintained 3hr Self Test



LED Order Code: - - -

LED LED71	LED70 ONE
CCT 927 930 940	90 CRI 2700K 90 CRI 3000K 90 CRI 4000K
Beam 12 19 34	12° 19° 34°
Protocol S A P D B	Non-Dim Analogue (0-10v) Phase DALI Bluetooth**



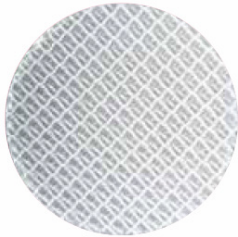
Honeycomb Louvre



Diffusing Lens



Frosted Lens



Heavy Spread Lens



Linear Spread Lens



Warm Tone

Accessories Order Code:

Louvre/Lens

- MD45 Honeycomb Louvre
- MDCC Warm Tone Lens
- MDUV UV Lens
- MDDF Diffusing Lens
- MDFR Frosted Lens
- MDLS Linear Spread Lens
- MDHS Heavy Spread Lens

Technical Details

*Custom RAL code must be specified. Custom RAL colours can increase prices and lead times

Dimming. Whilst Lucent can offer the majority of its luminaires with various dimming options, it remains the responsibility of the specifier/installer to check and ensure compatibility of any control equipment used. Additional cabling may be required depending on the dimming protocol specified.

**Bluetooth (wireless) is the communication method. The exact dimming protocol must be confirmed to allow the selection of suitable drivers or bluetooth devices.

^ Depth indicated is the minimum recess depth for the luminaire with a remote mounted LED driver. Installing a driver through either the luminaire cut-out or installation kit may require additional recess depth, please refer to the relevant luminaire installation instructions for further details. Data correct at time of publishing

First Fix Requirement. Luminaire comprised of fixture body with ceiling trim and installation kit, which is to be fitted into the ceiling once finished. Ensure correct alignment of the installation kit before final assembly (see luminaire installation instructions for details)

IP Rating. Tested from underside of the ceiling

It is the policy of Lucent Lighting to continually review and improve its products and therefore reserve the right to change any details of product or withdraw specifications without prior notice.

Luminaires designed to comply with EN60598 and all other standards.

This specification sheet supersedes all previous versions.

All intellectual property rights pertaining to the product described above and to this document are owned by or licensed to Lucent Lighting Ltd.

We reserve the right to take whatever action is necessary to protect those intellectual property rights.

Please notify Lucent Lighting Ltd of any inaccuracies immediately. E&OE

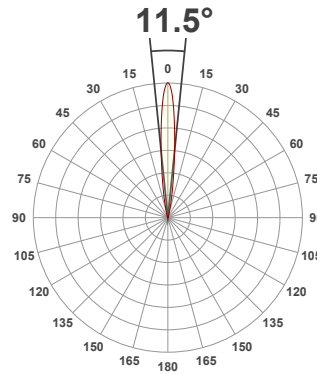
Light efficiency:



Light quality:



Color temperature:



Product name:

300-LED - LED71-30-12-700mA

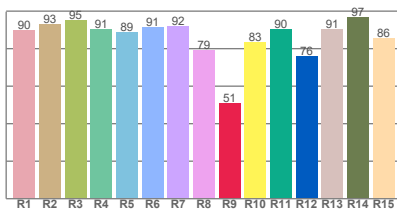
Item number:

Axis Midi Standard Snoot - LED71-30-12-700mA

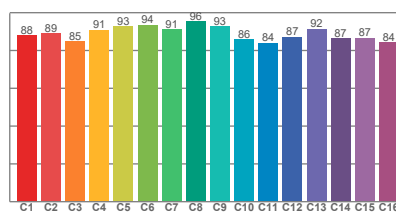
Delivered information for above fixture and LED combination.

Output: 1721 Lumen Peak intensity: 25940 cd Power consumption: 27.0

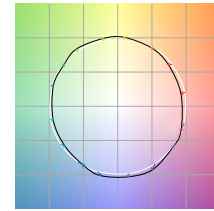
CRI R values



TM30 C Values

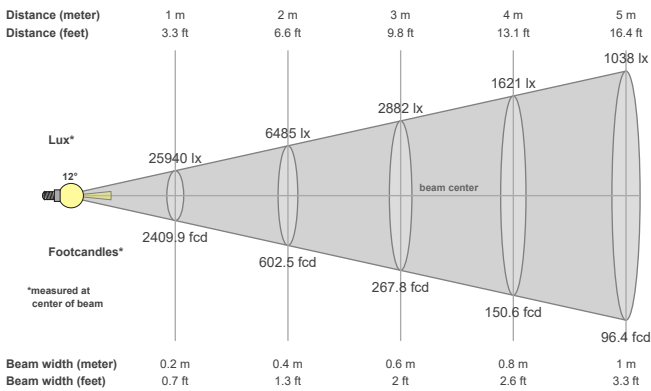


Color vector graphics



Color temperature	Color rendering index	Red component	Color fidelity	Color gamut	Color quality scale	Color coordinate cie 1931	Color coordinate cie 1931	Color coordinate	Color coordinate	Color deviation from black body
CCT	CRI	CRI R9	TM30 Rf	TM30 Rg	CQS	x	y	u	v	Δuv
3000 K	90.1	50.8	89.1	99.4	88.8	0.437	0.404	0.249	0.348	0.0008

Beam details



Beam angels

Beam angle 50%	Field angle 10%	Cutoff angle 2,5%
11.5°	24.2°	35.3°

Beam intensities

Peak intensity	Int. ratio in 120° cone	Int. ratio in 90° cone
25940 cd	99.5%	98.7%

Beam intensities from 1-20m

1m	2m	3m	4m	5m	6m	7m	8m	9m	10m	11m	12m	13m	14m	15m	16m	17m	18m	19m	20m
3.3ft	6.6ft	9.8ft	13.1ft	16.4ft	19.7ft	23ft	26.2ft	29.5ft	32.8ft	36.1ft	39.4ft	42.7ft	45.9ft	49.2ft	52.5ft	55.8ft	59.1ft	62.3ft	65.6ft
25940lx	6485lx	2882lx	1621lx	1038lx	721lx	529lx	405lx	320lx	259lx	214lx	180lx	153lx	132lx	115lx	101lx	90lx	80lx	72lx	65lx
2409.9fcd	602.5fcd	267.8fcd	150.6fcd	96.4fcd	66.9fcd	49.2fcd	37.7fcd	29.8fcd	24.1fcd	19.9fcd	16.7fcd	14.3fcd	12.3fcd	10.7fcd	9.4fcd	8.3fcd	7.4fcd	6.7fcd	6fcd

The above information is for 3000K colour temperature, for specific module information please see LED spec located on our website

For information regarding other colour temperatures please use the following factors for lumen output and candelas:

2700K = 1
4000K = 1.084

Light efficiency:

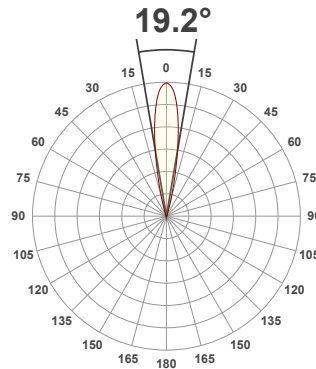
53 Lumen/Watt

Light quality:

CRI: 90.4

Color temperature:

3000 K



Product name:

300-LED - LED71-30-19-700mA

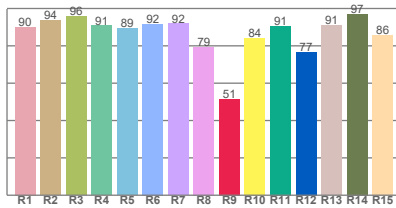
Item number:

Axis Midi Standard Snoot - LED71-30-19-700mA

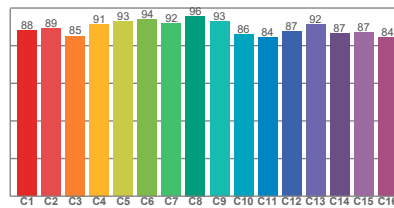
Delivered information for above fixture and LED combination.

Output: 1429 Lumen Peak intensity: 11071 cd Power consumption: 27.0

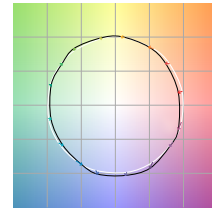
CRI R values



TM30 C Values

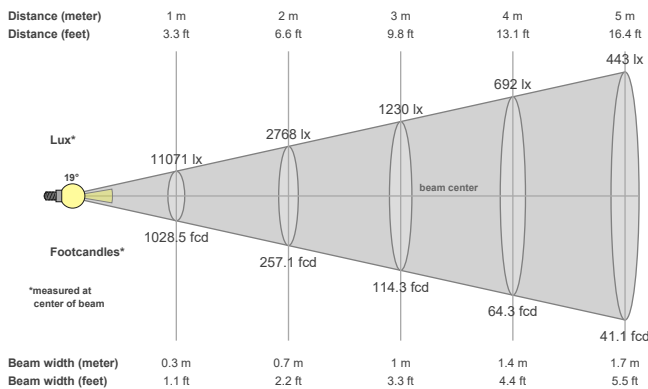


Color vector graphics



Color temperature	Color rendering index	Red component	Color fidelity	Color gamut	Color quality scale	Color coordinate cie 1931	Color coordinate cie 1931	Color coordinate	Color coordinate	Color deviation from black body
CCT	CRI	CRI R9	TM30 Rf	TM30 Rg	CQS	x	y	u	v	Δuv
3000 K	90.4	51.5	89.3	99.3	88.9	0.437	0.404	0.249	0.348	0.0006

Beam details



Beam angles

Beam angle 50%	Field angle 10%	Cutoff angle 2,5%
19.2°	32.3°	44.5°

Beam intensities

Peak intensity	Int. ratio in 120° cone	Int. ratio in 90° cone
11071 cd	99.2%	98.0%

Beam intensities from 1-20m

1m	2m	3m	4m	5m	6m	7m	8m	9m	10m	11m	12m	13m	14m	15m	16m	17m	18m	19m	20m
3.3ft	6.6ft	9.8ft	13.1ft	16.4ft	19.7ft	23ft	26.2ft	29.5ft	32.8ft	36.1ft	39.4ft	42.7ft	45.9ft	49.2ft	52.5ft	55.8ft	59.1ft	62.3ft	65.6ft
11071lx	2768lx	1230lx	692lx	443lx	308lx	226lx	173lx	137lx	111lx	91lx	77lx	66lx	56lx	49lx	43lx	38lx	34lx	31lx	28lx
1028.5fcd	257.1fcd	114.3fcd	64.3fcd	41.1fcd	28.6fcd	21fcd	16.1fcd	12.7fcd	10.3fcd	8.5fcd	7.1fcd	6.1fcd	5.2fcd	4.6fcd	4fcd	3.6fcd	3.2fcd	2.8fcd	2.6fcd

The above information is for 3000K colour temperature, for specific module information please see LED spec located on our website

For information regarding other colour temperatures please use the following factors for lumen output and candelas:

2700K = 1
4000K = 1.084

Light efficiency:

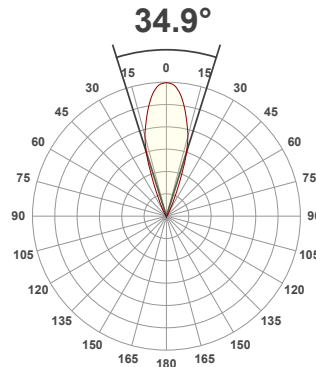
54 Lumen/Watt

Light quality:

CRI: 90.0

Color temperature:

3000 K



Product name:

300-LED - LED71-30-34-700mA

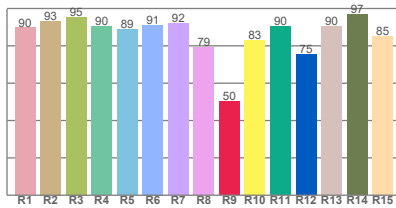
Item number:

Axis Midi Standard Snoot - LED71-30-34-700mA

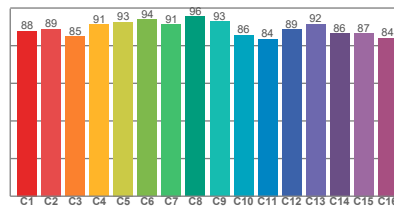
Delivered information for above fixture and LED combination.

Output: 1463 Lumen Peak intensity: 4290 cd Power consumption: 27.0

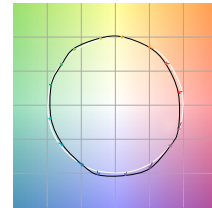
CRI R values



TM30 C Values

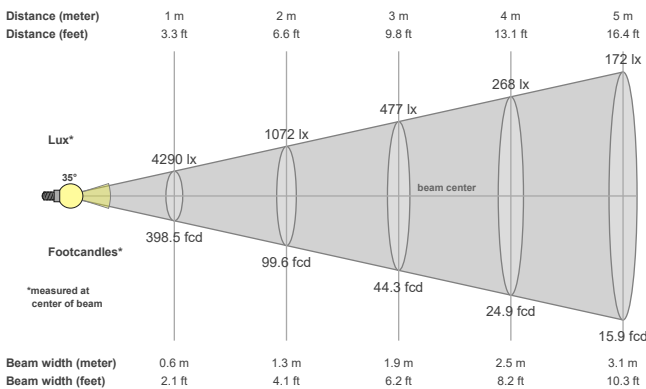


Color vector graphics



Color temperature	Color rendering index	Red component	Color fidelity	Color gamut	Color quality scale	Color coordinate cie 1931	Color coordinate cie 1931	Color coordinate	Color coordinate	Color deviation from black body
CCT	CRI	CRI R9	TM30 Rf	TM30 Rg	CQS	x	y	u	v	Δuv
3000 K	90.0	50.3	89.0	99.3	88.8	0.437	0.404	0.248	0.348	0.0010

Beam details



Beam angles

Beam angle 50%	Field angle 10%	Cutoff angle 2,5%
34.9°	52.2°	70°

Beam intensities

Peak intensity	Int. ratio in 120° cone	Int. ratio in 90° cone
4290 cd	99.4%	97.9%

Beam intensities from 1-20m

1m	2m	3m	4m	5m	6m	7m	8m	9m	10m	11m	12m	13m	14m	15m	16m	17m	18m	19m	20m
3.3ft	6.6ft	9.8ft	13.1ft	16.4ft	19.7ft	23ft	26.2ft	29.5ft	32.8ft	36.1ft	39.4ft	42.7ft	45.9ft	49.2ft	52.5ft	55.8ft	59.1ft	62.3ft	65.6ft
4290lx	1072lx	477lx	268lx	172lx	119lx	88lx	67lx	53lx	43lx	35lx	30lx	25lx	22lx	19lx	17lx	15lx	13lx	12lx	11lx
398.5fcd	99.6fcd	44.3fcd	24.9fcd	15.9fcd	11.1fcd	8.1fcd	6.2fcd	4.9fcd	4fcd	3.3fcd	2.8fcd	2.4fcd	2fcd	1.8fcd	1.6fcd	1.4fcd	1.2fcd	1.1fcd	1fcd

The above information is for 3000K colour temperature, for specific module information please see LED spec located on our website

For information regarding other colour temperatures please use the following factors for lumen output and candelas:

2700K = 1
4000K = 1.084