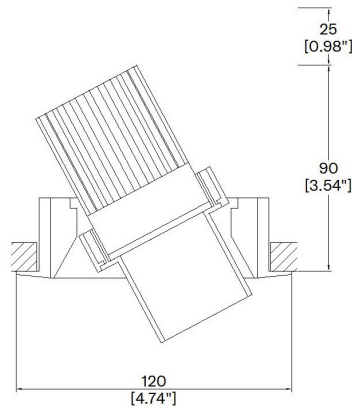


Axis3.5 Long Snoot



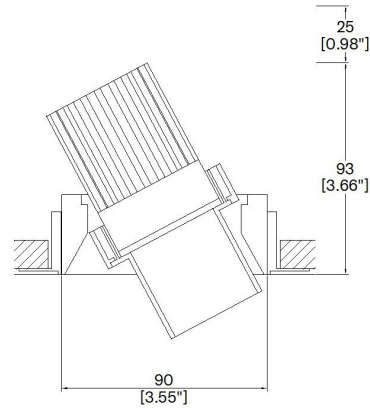
Axis provides high performance electronics and architectural aesthetics in 3.5" and 5" trim with a n option of tapered or straight snoots. Axis products come as standard adjustable in a flanged or trimless installation kit. Tray, retrofit and housing installation methods (NIC, IC, AT, T24 and CCEA) Multiple configurations for equal spacing also available. Lucent modules available in a wide range of color temperatures, beam angles, intensities, and effects (Ambiance Warm-Dim and Dynamic Tuneable White). MR16 and GU10 LED lamp options available. TRIAC/Phase, 0-10v/1-10v, DMX and DALI/Digital dimming.



A200/2-LS-LED-TR
Up to 35° tilt
Cut-out 108mm (4.25") Ø



Installation kit for overlap flange



A200/2-LS-LED-TL
Up to 35° tilt
Cut-out 106mm (4.17") Ø



Mud-in kit for seamless/trimless

LED Source	LED51SS
CCT	3000K
Drive Current	500mA
Power inc Driver	6.75W
Beam Angle	7°
Delivered Lumens	392
Delivered Intensisty cd	15791
Efficacy lm/w	58
Forward Volt	11.5V
CRI	≥90 CRI

Project Ref: _____

Location Ref: _____

Specify fixture part number (All boxes must be filled in to correctly order)

A200/2-LS-LED				LED5ISS		7						
----------------------	--	--	--	----------------	--	----------	--	--	--	--	--	--

Installation

- TR** Flange kit
- TL** Mud-in kit

Finish

- WH** White
- BK** Black
- RAL** Custom*

Ceiling Thickness

- SC** Standard Ceiling (1/2"-5/8"-3/4")
- C** Custom

LED Type

- LED5ISS** LED5ISS (90CRI)

CCT

- 27** 2700K
- 30** 3000K
- 35** 3500K
- 40** 4000K

Beam Angles

- 7** 7

Housing/Tray

- LMT-13-NIC** Mounting Tray Non-Insulated ceilings
- LH-6.75-NIC** Housing 6.75" Non-Insulated ceilings
- LH-8.50-AT/IC** Housing 8.50" Insulated/Air-tight ceilings and Chicago Plenum

Mounting Hardware

- 09** 9" to 15.25" - Adjustable Bar Hanger Lengths
- 14** 14" to 24" - Adjustable Bar Hanger Lengths
- 36** 28" to 36" - Adjustable Bar Hanger Lengths
- BB** Butterfly Bracket
- CB** Caterpillar Bracket

Supply Voltage

- 120** 120V
- 277** 277V

Dimming Protocol

- S** Non-Dimmable
- P** TRIAC/Phase (120V ONLY) (25-10% Minimum Dimming)***
- AWN** Athena wireless RF node****
- LHE** EcoSystem Hi-Lume Fade to Black (1% Dimming)
- LAE** Lutron 3-Wire Hi-Lume (1% Dimming)
- LHP** Lutron Hi-Lume Premier EcoSystem (0.1% Dimming)
- A** 0-10V (15-5% Minimum Dimming)***
- ESD** EldoLED Solo DALI2 (0.1% Dimming)
- EED** EldoLED Eco DALI2 (1% Dimming)
- ESA** EldoLED Solo 0-10V/1-10V (0.1% Dimming)
- EEA** EldoLED Eco 0-10V/1-10V (1% Dimming)
- B** Bluetooth**

Emergency

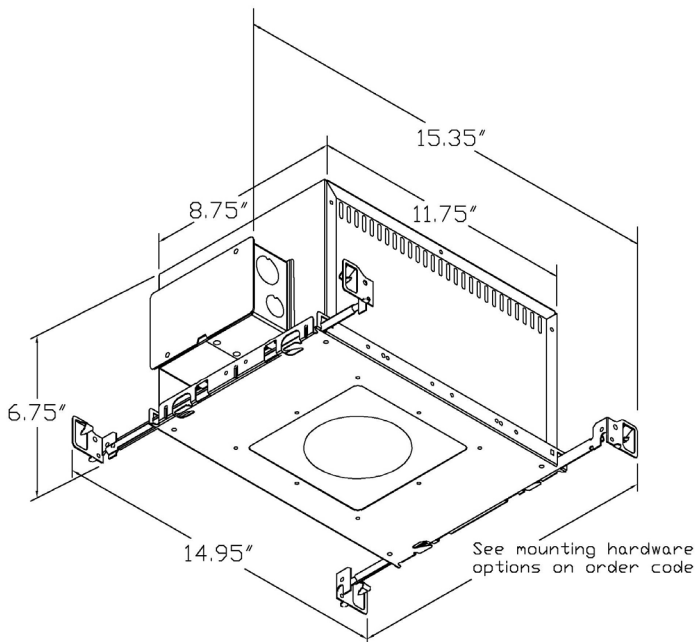
- E** 1.5h Emergency
- ES** 1.5h Self test

Louvre/Lens

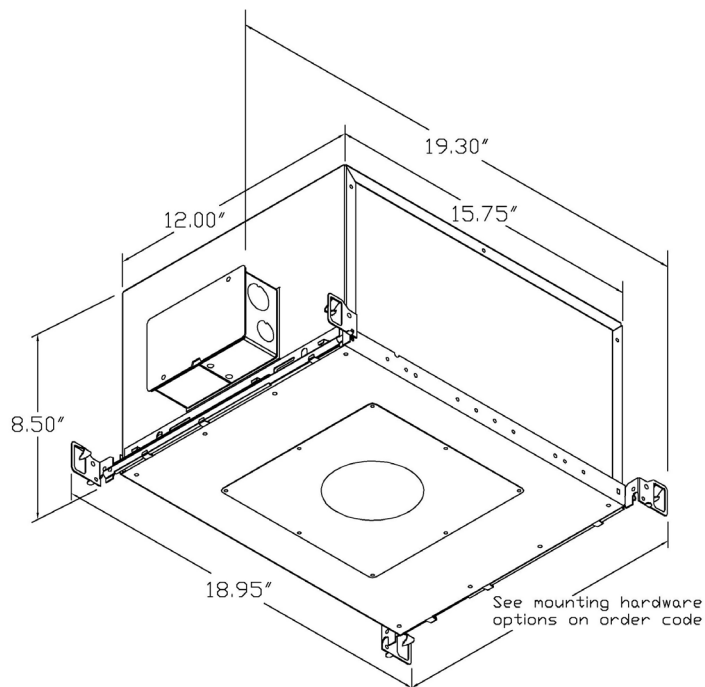
- XX** Not required
- LL45** Honeycomb
- LLCC** Warm Tone
- LLUV** UV
- LLDF** Solite/Diffusing
- LLFR** Frosted Lens
- LLLS** Linear Spread
- LLHS** Heavy Spread

*Refer to Technical Details for more information

Housing dimensions

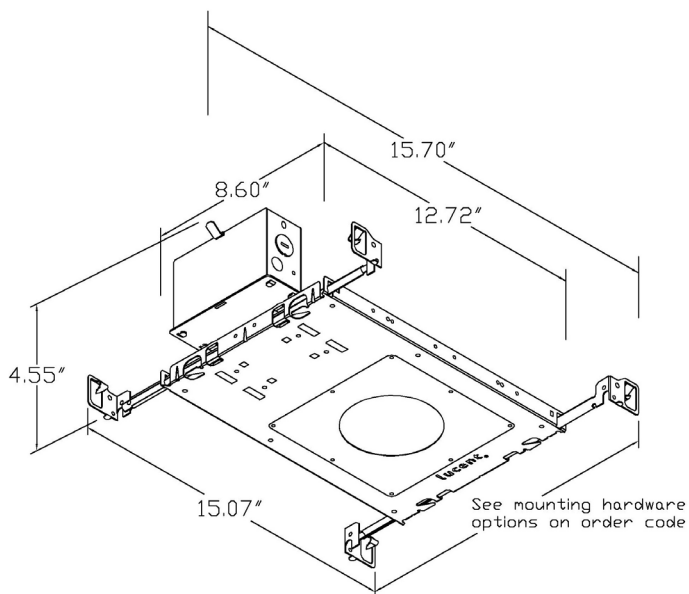


LH-6.75
Non-insulated ceilings

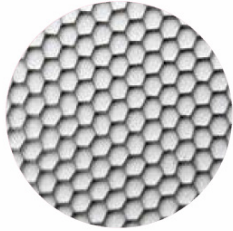


LH-8.50
Insulated/air-tight ceilings and
Chicago Plenum

Tray dimensions



LMT-13
Non-insulated ceilings



Honeycomb Louvre (LL45)



Solite/Diffusing Lens (LLDF)



Frosted Lens (LLFR)



Heavy Spread Lens (LLHS)



Linear Spread Lens (LLLS)



Warm Tone (LLCC)

.....
Technical Details

*Custom color requires a paint chip or RAL code and may increase price and lead-time

It is the responsibility of the specifier/integrator/installer to check and ensure compatibility of any control equipment used. Additional cabling may be required depending on the dimming protocol specified.

**DALI Type 6 requires two DALI addresses, one for CCT control the other for intensity control. DALI Type 8 is a single DALI Type 8 address for CCT and intensity control. Please check which control system is being used before specifying.

**** Available for integration with Lutron Athena Control systems. Please contact Lucent Lighting Inc./Lutron factory for further details.

^ Depth indicated is the minimum recess depth for the luminaire with a remote mounted LED driver. Installing a driver through either the luminaire cut-out or installation kit may require additional recess depth, please refer to the relevant installation instructions prior to purchase.

First Fix Requirement. Luminaire comprised of fixture body with ceiling trim and installation kit, which is to be fitted into the ceiling once finished. Ensure correct alignment of the installation kit before final assembly (see luminaire installation instructions for details)

Location. Tested from underside of the ceiling.

Data correct at time of publishing. It is the policy of Lucent Lighting to continually review and improve its products and therefore reserve the right to change any details of product or withdraw specifications without prior notice.

This specification sheet supersedes all previous versions.

All intellectual property rights pertaining to the product described above and to this document are owned by or licensed to Lucent Lighting, Incorporated. Lucent Lighting reserves the right to take whatever action is necessary to protect its intellectual property, patents and trademarks

Please notify Lucent Lighting Inc. inaccuracies. E&OE

.....



Light efficiency:

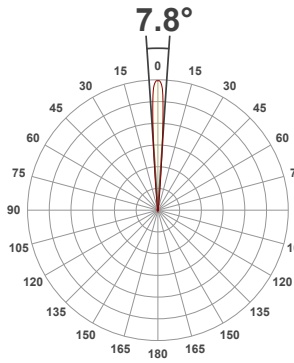
58 Lumen/Watt

Light quality:

CRI: 91.7

Color temperature:

3000 K



Product name:

**Axis Mini2 Long Snoot -
LED51 SuperSpot, 3000K, 7°,
500mA**

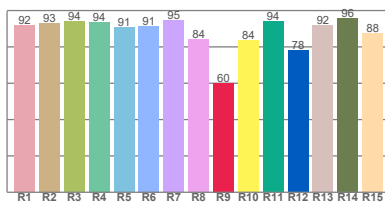
Item number:

200/2-LS-LED51SS-30-7-500mA

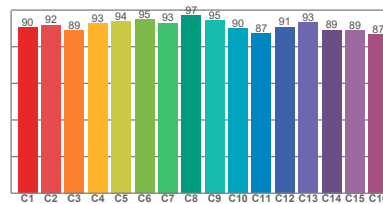
**Delivered information for above
fixture and LED combination.**

Output: 392 Lumen Peak intensity: 15791 cd Power consumption: 6.7

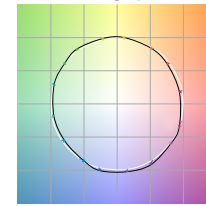
CRI R values



TM30 C Values

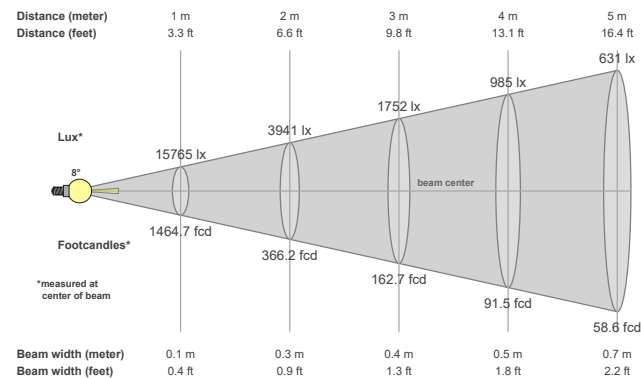


Color vector graphics



Color temperature	Color rendering index	Red component	Color fidelity	Color gamut	Color quality scale	Color coordinate cie 1931	Color coordinate cie 1931	Color coordinate	Color coordinate	Color deviation from black body
CCT	CRI	CRI R9	TM30 Rf	TM30 Rg	CQS	x	y	u	v	Δuv
3000 K	91.7	60.1	91.4	99.7	91.2	0.437	0.404	0.246	0.349	0.0031

Beam details



Beam angles

Beam angle 50%	Field angle 10%	Cutoff angle 2,5%
7.8°	12.9°	21.1°

Beam intensities

Peak intensity	Int. ratio in 120° cone	Int. ratio in 90° cone
15791 cd	99.5%	99.2%

Beam intensities from 1-20m

1m	2m	3m	4m	5m	6m	7m	8m	9m	10m	11m	12m	13m	14m	15m	16m	17m	18m	19m	20m
3.3ft	6.6ft	9.8ft	13.1ft	16.4ft	19.7ft	23ft	26.2ft	29.5ft	32.8ft	36.1ft	39.4ft	42.7ft	45.9ft	49.2ft	52.5ft	55.8ft	59.1ft	62.3ft	65.6ft
15765lx	3941lx	1752lx	985lx	631lx	438lx	322lx	246lx	195lx	158lx	130lx	109lx	93lx	80lx	70lx	62lx	55lx	49lx	44lx	39lx
1464.7fcd	366.2fcd	162.7fcd	91.5fcd	58.6fcd	40.7fcd	29.9fcd	22.9fcd	18.1fcd	14.6fcd	12.1fcd	10.2fcd	8.7fcd	7.5fcd	6.5fcd	5.7fcd	5.1fcd	4.5fcd	4.1fcd	3.7fcd

The above information is for 3000K colour temperature, for specific module information please see LED spec located on our website

For information regarding other colour temperatures please use the following factors for lumen output and candelas:

2700K = 0.9
4000K = 1.08