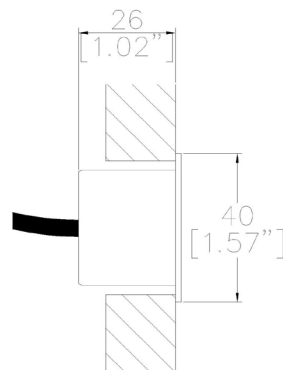


ProSpex InWall40 Eyelid



40mm (1.57") overall diameter. Fully recessed step and floor marker with 90° angle and asymmetric beam for interior and exterior installation. IP66 rated fixture. Family of matching products also available. Required depth depending on installation method[^]



IW40-90

LED Source	LED
CCT	3000K
Drive Current	700mA
Power inc Driver	2.6W
Delivered Lumens	18
Delivered Intensity cd	48
Efficacy lm/w	7
Forward Volt	3V
CRI	≥90 CRI
Ingress Protection	IP66
Impact Protection	IK08

Project Ref: _____

Location Ref: _____

Fixture Order Code: - - -

Fixture
IW40-90

InWall40 Eyelid

CCT

27
30
40

90 CRI 2700K
90 CRI 3000K
90 CRI 4000K

Finish

BSS Brushed Stainless Steel
PSS Polished Stainless Steel
BRZ Flamed Bronze
ABZ Antique Bronze (Interior Only)
ASV Hard Anodised Matt Silver (Interior Only)
ABK Hard Anodised Matt Black
WH Matt White

Protocol

S Non-Dim
A Analogue (0-10v)
P Phase
D DALI
B Bluetooth**

Please refer to installation instruction for wiring diagram

.....

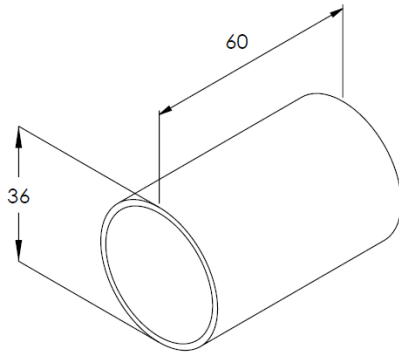
Installation Methods:

IW40-90-SPRING

For installation in hollow walls

IW40-TUBE

For installation in solid walls



IW40-TUBE

Technical Details

*Custom RAL code must be specified. Custom RAL colours can increase prices and lead times

Dimming. Whilst Lucent can offer the majority of its luminaires with various dimming options, it remains the responsibility of the specifier/installer to check and ensure compatibility of any control equipment used. Additional cabling may be required depending on the dimming protocol specified.

**Bluetooth (wireless) is the communication method. The exact dimming protocol must be confirmed to allow the selection of suitable drivers or bluetooth devices.

^ Depth indicated is the minimum recess depth for the luminaire with a remote mounted LED driver. Installing a driver through either the luminaire cut-out or installation kit may require additional recess depth, please refer to the relevant luminaire installation instructions for further details. Data correct at time of publishing

First Fix Requirement. Luminaire comprised of fixture body with ceiling trim and installation kit, which is to be fitted into the ceiling once finished. Ensure correct alignment of the installation kit before final assembly (see luminaire installation instructions for details)

IP Rating. Tested from underside of the ceiling

It is the policy of Lucent Lighting to continually review and improve its products and therefore reserve the right to change any details of product or withdraw specifications without prior notice.

Luminaires designed to comply with EN60598 and all other standards.

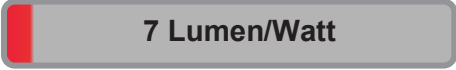
This specification sheet supersedes all previous versions.

All intellectual property rights pertaining to the product described above and to this document are owned by or licensed to Lucent Lighting Ltd.

We reserve the right to take whatever action is necessary to protect those intellectual property rights.

Please notify Lucent Lighting Ltd of any inaccuracies immediately. E&OE

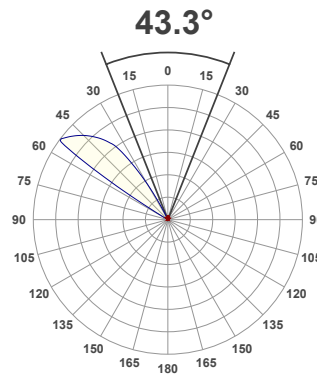
Light efficiency:



Light quality:



Color temperature:



Product name:

InWall Eyelid, 3000K, 700mA

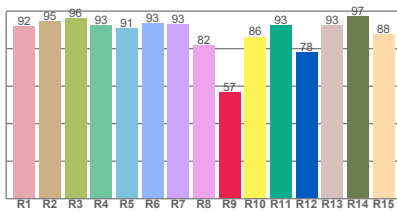
Item number:

IW40-90-30-700mA

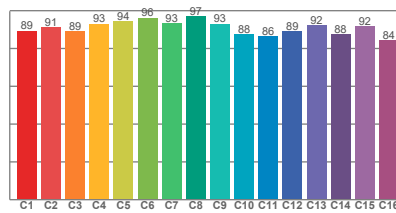
Delivered information for above fixture and LED combination.

Output: 18.4 Lumen Peak intensity: 47.8 cd Power consumption: 2.6

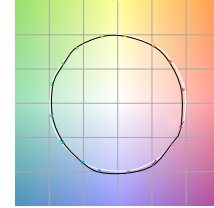
CRI R values



TM30 C Values

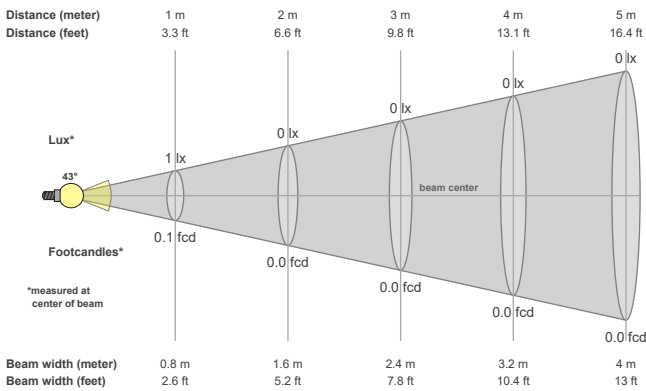


Color vector graphics



Color temperature	Color rendering index	Red component	Color fidelity	Color gamut	Color quality scale	Color coordinate cie 1931	Color coordinate cie 1931	Color coordinate	Color coordinate	Color deviation from black body
CCT	CRI	CRI R9	TM30 Rf	TM30 Rg	CQS	x	y	u	v	Δuv
3000 K	91.8	57.0	90.7	98.4	90.6	0.437	0.404	0.251	0.350	0.0017

Beam details



Beam angels

Beam angle 50%	Field angle 10%	Cutoff angle 2,5%
43.3°	70.6°	115.2°

Beam intensities

Peak intensity	Int. ratio in 120° cone	Int. ratio in 90° cone
47.8 cd	98.4%	42.0%

Beam intensities from 1-20m

1m	2m	3m	4m	5m	6m	7m	8m	9m	10m	11m	12m	13m	14m	15m	16m	17m	18m	19m	20m
3.3ft	6.6ft	9.8ft	13.1ft	16.4ft	19.7ft	23ft	26.2ft	29.5ft	32.8ft	36.1ft	39.4ft	42.7ft	45.9ft	49.2ft	52.5ft	55.8ft	59.1ft	62.3ft	65.6ft
1lx	0lx	0lx	0lx	0lx	0lx	0lx	0lx	0lx	0lx	0lx	0lx	0lx	0lx	0lx	0lx	0lx	0lx	0lx	0lx
0.1fcd	0fcd	0fcd	0fcd	0fcd	0fcd	0fcd	0fcd	0fcd	0fcd	0fcd	0fcd	0fcd	0fcd	0fcd	0fcd	0fcd	0fcd	0fcd	0fcd

The above information is for 3000K colour temperature, for specific module information please see LED spec located on our website

For information regarding other colour temperatures please use the following factors for lumen output and candelas:

2700K = 0.82
4000K = 1.11