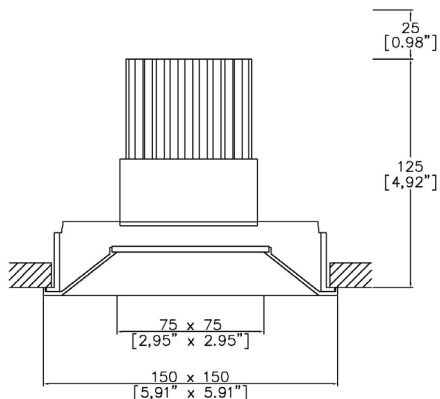


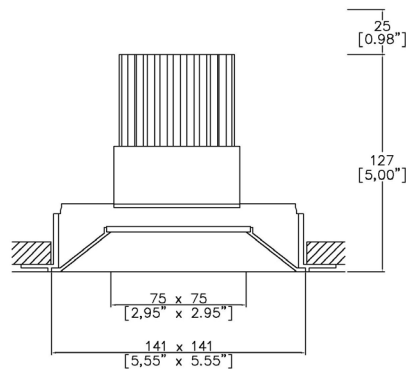
Plus5 XL Pyramidal Fixed



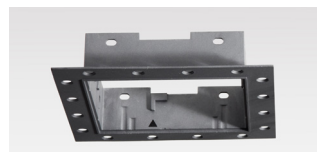
Plus provides high performance electronics and architectural aesthetics in round and square 3.5" and 5" trim. Plus products include adjustable, fixed and wallwash in a flanged or trimless installation kit. Adjustable can be provided with gear driven adjustment or manual adjustment. Available in various front plates (Conical, Bevel, Edge, Pyramidal and Square Bevel) Bevel and Square Bevel available with various color inserts. Tray, retrofit and housing installation methods (NIC, IC, AT, T24 and CCEA) Multiple configurations for equal spacing also available. Lucent modules available in a wide range of color temperatures, beam angles, intensities, and effects (Ambiance WarmDim and Dynamic Tuneable White). TRIAC/Phase, 0-10v/1-10v, DMX and DALI/Digital dimming.



A090+XL-LED-TR-SQ
Cut-out 142 x 142mm
(5.59" x 5.59")



A090+XL-LED-TL-SQ
Cut-out 142 x 142mm
(5.59" x 5.59")



Installation kit for overlap flange

Mud-in kit for seamless/trimless

	LED71	LED71	LED71	LED71/U	LED71/U	LED71/U
LED Source	LED71	LED71	LED71	LED71/U	LED71/U	LED71/U
CCT	3000K	3000K	3000K	3000K	3000K	3000K
Drive Current	700mA	700mA	700mA	700mA	700mA	700mA
Power inc Driver	27W	27W	27W	27W	27W	27W
Beam Angle	12°	19°	34°	12°	19°	34°
Delivered Lumens	1736	1697	1764	1571	1414	1461
Delivered Intensisty cd	22011	11718	4689	19898	9718	4139
Efficacy lm/w	64	63	65	58	52	54
Forward Volt	33V	33V	33V	33V	33V	33V
CRI	≥90 CRI	≥90 CRI	≥90 CRI	≥98 CRI	≥98 CRI	≥98 CRI

Project Ref: _____

Location Ref: _____

Specify fixture part number (All boxes must be filled in to correctly order)

A090+XL-LED														
-------------	--	--	--	--	--	--	--	--	--	--	--	--	--	--

Installation

- TR-SQ Flange kit
- TL-SQ Mud-in kit

Finish

- WH White
- BK Black
- RAL Custom*

Location

- XX Dry
- DP Damp

Ceiling Thickness

- SC Standard Ceiling (1/2"-5/8"-3/4")
- C Custom

LED Type

- LED71 LED71 (90CRI)
- LED71/U LED71/U (98CRI)

CCT

- 27 2700K
- 30 3000K
- 35 3500K
- 40 4000K (90 CRI ONLY)

Beam Angles

- 12 12
- 19 19
- 34 34

Housing/Tray

- LMT-15-NIC Mounting Tray Non-Insulated ceilings
- LH-8.50-NIC Housing 8.50" Non-Insulated ceilings
- LH-11.25-AT/IC Housing 11.25" Insulated/Air-tight ceilings and Chicago Plenum

Mounting Hardware

- 09 9" to 15.25" - Adjustable Bar Hanger Lengths
- 14 14" to 24" - Adjustable Bar Hanger Lengths
- 36 28" to 36" - Adjustable Bar Hanger Lengths
- BB Butterfly Bracket
- CB Caterpillar Bracket

Supply Voltage

- 120 120V
- 277 277V

Dimming Protocol

- S Non-Dimmable
- P TRIAC/Phase (120V ONLY) (25-10% Minimum Dimming)***
- LP Lutron Forward Phase 2-Wire (1% Dimming) (120V ONLY)
- ESS EcoSystem 5-Series (5% Dimming)
- LHE EcoSystem Hi-Lume Fade to Black (1% Dimming)
- LAE Lutron 3-Wire Hi-Lume (1% Dimming)
- LHP Lutron Hi-Lume Premier EcoSystem (0.1% Dimming)
- A 0-10V (15-5% Minimum Dimming)***
- ESD EldoLED Solo DALI2 (0.1% Dimming)
- EED EldoLED Eco DALI2 (1% Dimming)
- ESA EldoLED Solo 0-10V/1-10V (0.1% Dimming)
- EEA EldoLED Eco 0-10V/1-10V (1% Dimming)
- B Bluetooth**

Emergency

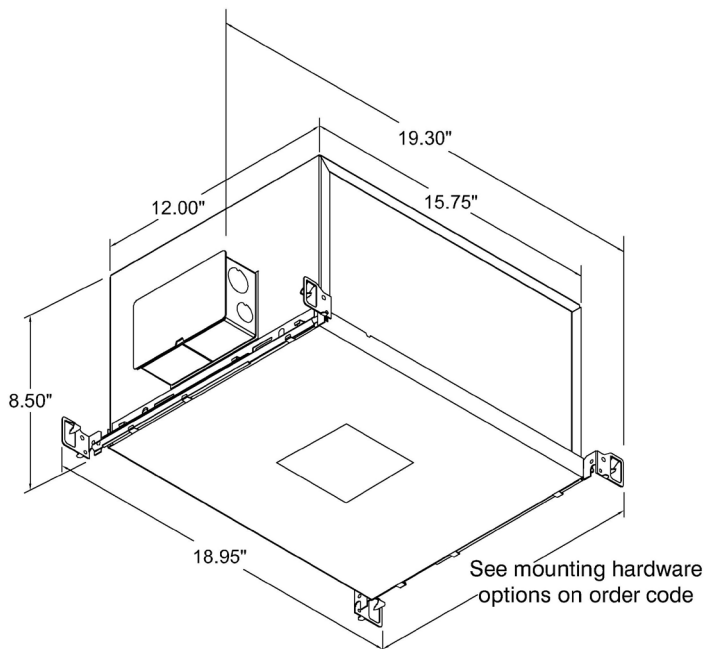
- E 3hr Emergency
- ES 3hr Self Test

Louvre/Lens

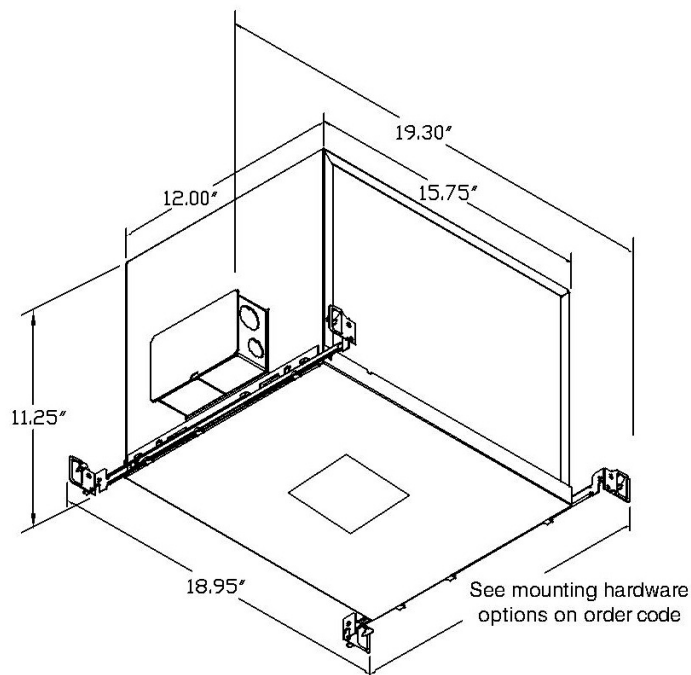
- XX Not required
- MD45 Honeycomb
- MDUV UV
- MDDF Solite/Diffusing
- MDFR Frosted Lens
- MDLS Linear Spread
- MDHS Heavy Spread

*Refer to Technical Details for more information

Housing dimensions

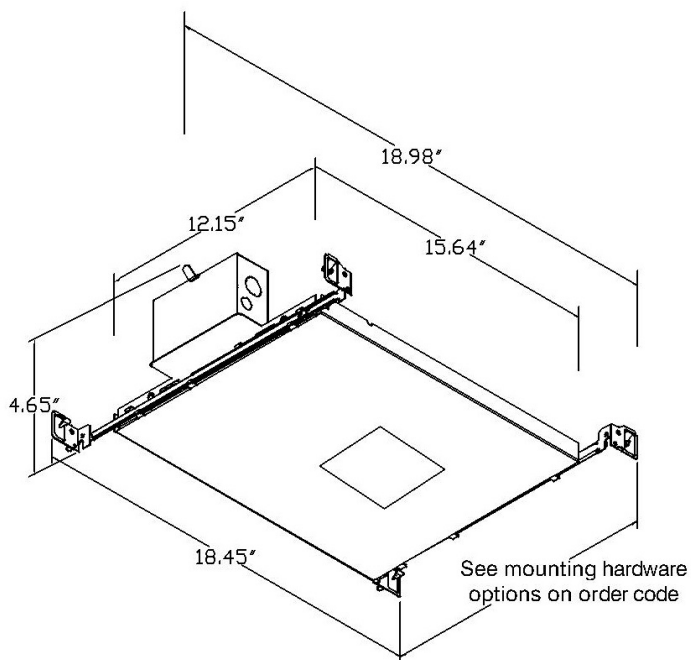


LH-8.50
Non-insulated ceiling



LH-11.25
Insulated/air-tight ceilings and
Chicago Plenum

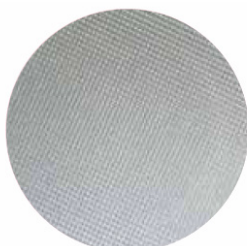
Tray dimensions



LMT-15
Non-insulated ceilings



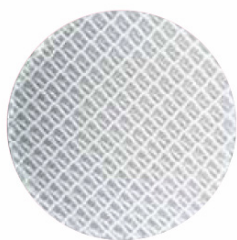
Honeycomb Louvre (MD45)



Solite/Diffusing Lens (MDDF)



Frosted Lens (MDFR)



Heavy Spread Lens (MDHS)



Linear Spread Lens (MDLS)

Technical Details

*Custom color requires a paint chip or RAL code and may increase price and lead-time

It is the responsibility of the specifier/integrator/installer to check and ensure compatibility of any control equipment used. Additional cabling may be required depending on the dimming protocol specified.

**Bluetooth (wireless) is a communication protocol. The exact dimming protocol must be confirmed to allow the selection of suitable drivers or Bluetooth devices.

***Non specific driver type, dimming performance depending on exact driver used. Contact Lucent Lighting for more information.

^ Depth indicated is the minimum recess depth for the luminaire with a remote mounted LED driver. Installing a driver through either the luminaire cut-out or installation kit may require additional recess depth, please refer to the relevant installation instructions prior to purchase.

First Fix Requirement. Luminaire comprised of fixture body with ceiling trim and installation kit, which is to be fitted into the ceiling once finished. Ensure correct alignment of the installation kit before final assembly (see luminaire installation instructions for details)

Location. Tested from underside of the ceiling.

Data correct at time of publishing. It is the policy of Lucent Lighting to continually review and improve its products and therefore reserve the right to change any details of product or withdraw specifications without prior notice.

This specification sheet supersedes all previous versions.

All intellectual property rights pertaining to the product described above and to this document are owned by or licensed to Lucent Lighting, Incorporated. Lucent Lighting reserves the right to take whatever action is necessary to protect its intellectual property, patents and trademarks

Please notify Lucent Lighting Inc. inaccuracies. E&OE



Light efficiency:

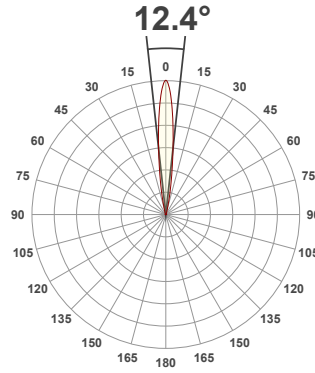
64 Lumen/Watt

Light quality:

CRI: 90.1

Color temperature:

3000 K



Product name:

090+XL-LED-SQ - LED71-30-12-700mA

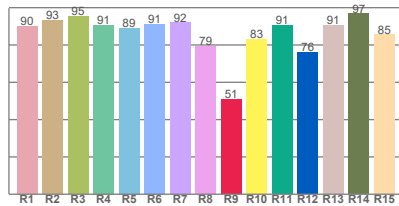
Item number:

Plus XL Pyramidal Fixed - LED71-30-12-700mA

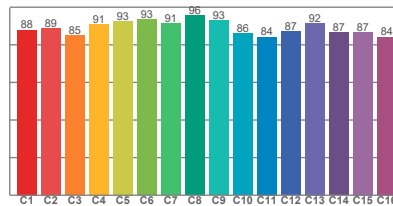
Delivered information for above fixture and LED combination.

Output: 1736 Lumen Peak intensity: 22011 cd Power consumption: 27.0

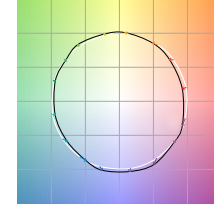
CRI R values



TM30 C Values

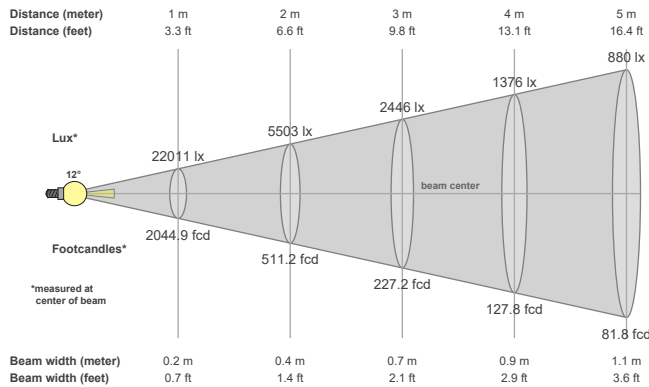


Color vector graphics



Color temperature	Color rendering index	Red component	Color fidelity	Color gamut	Color quality scale	Color coordinate cie 1931	Color coordinate cie 1931	Color coordinate	Color coordinate	Color deviation from black body
CCT	CRI	CRI R9	TM30 Rf	TM30 Rg	CQS	x	y	u	v	Δuv
3000 K	90.1	50.8	89.1	99.4	88.8	0.437	0.404	0.249	0.348	0.0009

Beam details



Beam angles

Beam angle 50%	Field angle 10%	Cutoff angle 2,5%
12.4°	25°	36°

Beam intensities

Peak intensity	Int. ratio in 120° cone	Int. ratio in 90° cone
22011 cd	98.9%	94.2%

Beam intensities from 1-20m

1m	2m	3m	4m	5m	6m	7m	8m	9m	10m	11m	12m	13m	14m	15m	16m	17m	18m	19m	20m
3.3ft	6.6ft	9.8ft	13.1ft	16.4ft	19.7ft	23ft	26.2ft	29.5ft	32.8ft	36.1ft	39.4ft	42.7ft	45.9ft	49.2ft	52.5ft	55.8ft	59.1ft	62.3ft	65.6ft
22011lx	5503lx	2446lx	1376lx	880lx	611lx	449lx	344lx	272lx	220lx	182lx	153lx	130lx	112lx	98lx	86lx	76lx	68lx	61lx	55lx
2044.9fcd	511.2fcd	227.2fcd	127.8fcd	81.8fcd	56.8fcd	41.7fcd	32fcd	25.2fcd	20.4fcd	16.9fcd	14.2fcd	12.1fcd	10.4fcd	9.1fcd	8fcd	7.1fcd	6.3fcd	5.7fcd	5.1fcd

The above information is for 3000K colour temperature, for specific module information please see LED spec located on our website

For information regarding other colour temperatures please use the following factors for lumen output and candelas:

2700K = 1
4000K = 1.084

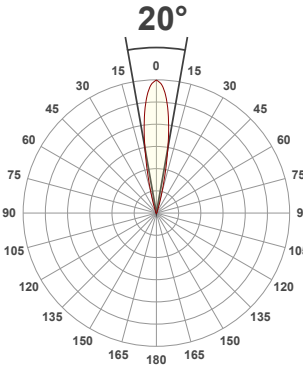
Light efficiency:



Light quality:



Color temperature:



Product name:

090+XL-LED-SQ - LED71-30-19-700mA

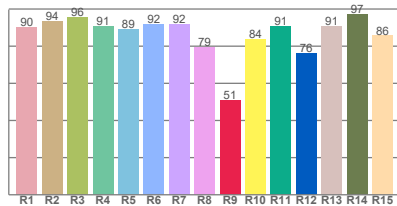
Item number:

Plus XL Pyramidal Fixed - LED71-30-19-700mA

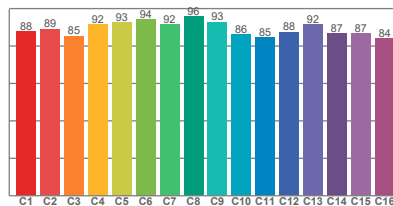
Delivered information for above fixture and LED combination.

Output: 1697 Lumen Peak intensity: 11718 cd Power consumption: 27.0

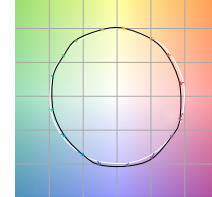
CRI R values



TM30 C Values

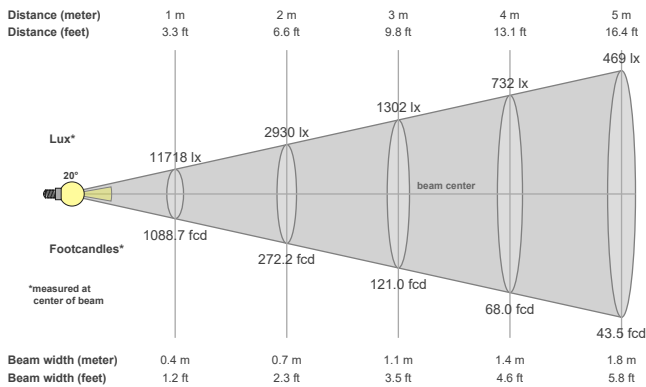


Color vector graphics



Color temperature	Color rendering index	Red component	Color fidelity	Color gamut	Color quality scale	Color coordinate cie 1931	Color coordinate cie 1931	Color coordinate	Color coordinate	Color deviation from black body
CCT	CRI	CRI R9	TM30 Rf	TM30 Rg	CQS	x	y	u	v	Δuv
3000 K	90.3	51.1	89.3	99.2	89.0	0.437	0.404	0.249	0.348	0.0009

Beam details



Beam angels

Beam angle 50%	Field angle 10%	Cutoff angle 2,5%
20°	33.5°	45.4°

Beam intensities

Peak intensity	Int. ratio in 120° cone	Int. ratio in 90° cone
11718 cd	99.0%	95.2%

Beam intensities from 1-20m

1m	2m	3m	4m	5m	6m	7m	8m	9m	10m	11m	12m	13m	14m	15m	16m	17m	18m	19m	20m
3.3ft	6.6ft	9.8ft	13.1ft	16.4ft	19.7ft	23ft	26.2ft	29.5ft	32.8ft	36.1ft	39.4ft	42.7ft	45.9ft	49.2ft	52.5ft	55.8ft	59.1ft	62.3ft	65.6ft
11718lx	2930lx	1302lx	732lx	469lx	326lx	239lx	183lx	145lx	117lx	97lx	81lx	69lx	60lx	52lx	46lx	41lx	36lx	32lx	29lx
1088.7fcd	272.2fcd	121fcd	68fcd	43.5fcd	30.2fcd	22.2fcd	17fcd	13.4fcd	10.9fcd	9fcd	7.6fcd	6.4fcd	5.6fcd	4.8fcd	4.3fcd	3.8fcd	3.4fcd	3fcd	2.7fcd

The above information is for 3000K colour temperature, for specific module information please see LED spec located on our website

For information regarding other colour temperatures please use the following factors for lumen output and candelas:

2700K = 1
4000K = 1.084

Light efficiency:

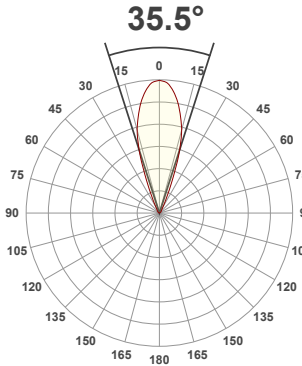
65 Lumen/Watt

Light quality:

CRI: 89.9

Color temperature:

3000 K



Product name:

090+XL-LED-SQ - LED71-30-34-700mA

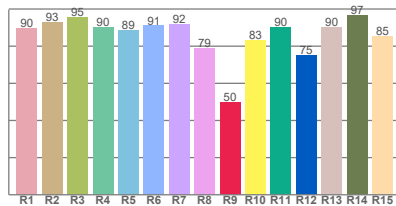
Item number:

Plus XL Pyramidal Fixed - LED71-30-34-700mA

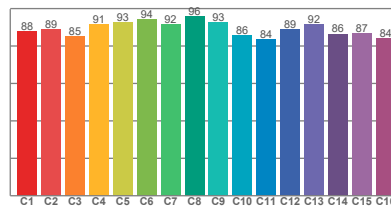
Delivered information for above fixture and LED combination.

Output: 1764 Lumen Peak intensity: 4689 cd Power consumption: 27.0

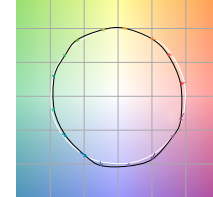
CRI R values



TM30 C Values

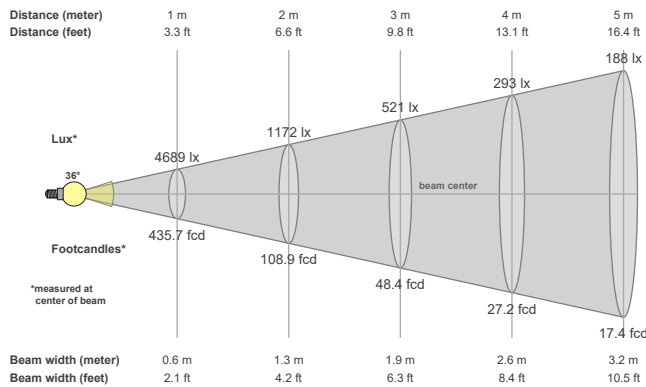


Color vector graphics



Color temperature	Color rendering index	Red component	Color fidelity	Color gamut	Color quality scale	Color coordinate cie 1931	Color coordinate cie 1931	Color coordinate	Color coordinate	Color deviation from black body
CCT	CRI	CRI R9	TM30 Rf	TM30 Rg	CQS	x	y	u	v	Δuv
3000 K	89.9	50.0	89.1	99.2	88.8	0.437	0.404	0.248	0.348	0.0012

Beam details



Beam angles

Beam angle 50%	Field angle 10%	Cutoff angle 2,5%
35.5°	53.1°	78.7°

Beam intensities

Peak intensity	Int. ratio in 120° cone	Int. ratio in 90° cone
4689 cd	98.9%	94.5%

Beam intensities from 1-20m

1m	2m	3m	4m	5m	6m	7m	8m	9m	10m	11m	12m	13m	14m	15m	16m	17m	18m	19m	20m
3.3ft	6.6ft	9.8ft	13.1ft	16.4ft	19.7ft	23ft	26.2ft	29.5ft	32.8ft	36.1ft	39.4ft	42.7ft	45.9ft	49.2ft	52.5ft	55.8ft	59.1ft	62.3ft	65.6ft
4689lx	1172lx	521lx	293lx	188lx	130lx	96lx	73lx	58lx	47lx	39lx	33lx	28lx	24lx	21lx	18lx	16lx	14lx	13lx	12lx
435.7fcd	108.9fcd	48.4fcd	27.2fcd	17.4fcd	12.1fcd	8.9fcd	6.8fcd	5.4fcd	4.4fcd	3.6fcd	3fcd	2.6fcd	2.2fcd	1.9fcd	1.7fcd	1.5fcd	1.3fcd	1.2fcd	1.1fcd

The above information is for 3000K colour temperature, for specific module information please see LED spec located on our website

For information regarding other colour temperatures please use the following factors for lumen output and candelas:

2700K = 1
4000K = 1.084

Light efficiency:

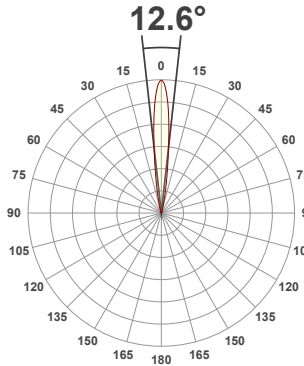
58 Lumen/Watt

Light quality:

CRI: 98.1

Color temperature:

3000 K



Product name:

090+XL-LED-SQ - LED71_U-30-12-700mA

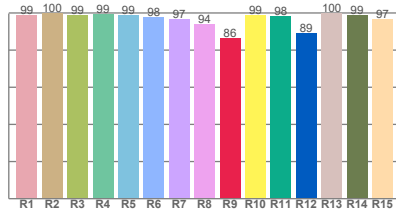
Item number:

PlusXL Pyramidal Fixed - LED71/U-30-12-700mA

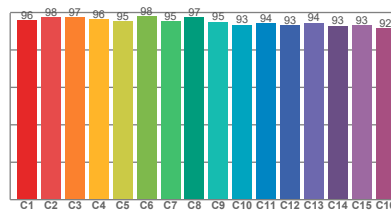
Delivered information for above fixture and LED combination.

Output: 1571 Lumen Peak intensity: 19898 cd Power consumption: 27.0

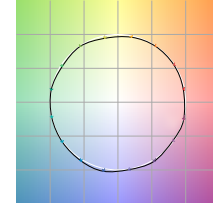
CRI R values



TM30 C Values

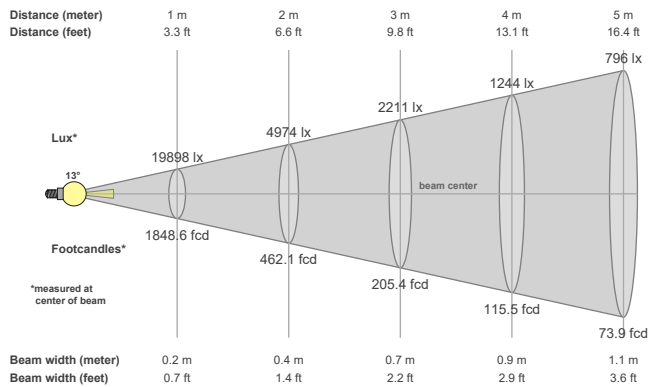


Color vector graphics



Color temperature	Color rendering index	Red component	Color fidelity	Color gamut	Color quality scale	Color coordinate cie 1931	Color coordinate cie 1931	Color coordinate	Color coordinate	Color deviation from black body
CCT	CRI	CRI R9	TM30 Rf	TM30 Rg	CQS	x	y	u	v	Δuv
3000 K	98.1	86.5	95.2	99.5	96.0	0.437	0.404	0.248	0.347	0.0003

Beam details



Beam angles

Beam angle 50%	Field angle 10%	Cutoff angle 2,5%
12.6°	25°	37.1°

Beam intensities

Peak intensity	Int. ratio in 120° cone	Int. ratio in 90° cone
19898 cd	99.2%	94.8%

Beam intensities from 1-20m

1m	2m	3m	4m	5m	6m	7m	8m	9m	10m	11m	12m	13m	14m	15m	16m	17m	18m	19m	20m
3.3ft	6.6ft	9.8ft	13.1ft	16.4ft	19.7ft	23ft	26.2ft	29.5ft	32.8ft	36.1ft	39.4ft	42.7ft	45.9ft	49.2ft	52.5ft	55.8ft	59.1ft	62.3ft	65.6ft
19898lx	4974lx	2211lx	1244lx	796lx	553lx	406lx	311lx	246lx	199lx	164lx	138lx	118lx	102lx	88lx	78lx	69lx	61lx	55lx	50lx
1848.6fcd	462.1fcd	205.4fcd	115.5fcd	73.9fcd	51.3fcd	37.7fcd	28.9fcd	22.8fcd	18.5fcd	15.3fcd	12.8fcd	10.9fcd	9.4fcd	8.2fcd	7.2fcd	6.4fcd	5.7fcd	5.1fcd	4.6fcd

The above information is for 3000K colour temperature, for specific module information please see LED spec located on our website

For information regarding other colour temperatures please use the following factors for lumen output and candelas:

2700K = 1

Light efficiency:

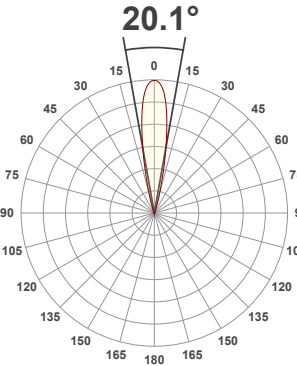
52 Lumen/Watt

Light quality:

CRI: 97.7

Color temperature:

3000 K



Product name:

090+XL-LED-SQ - LED71_U-30-19-700mA

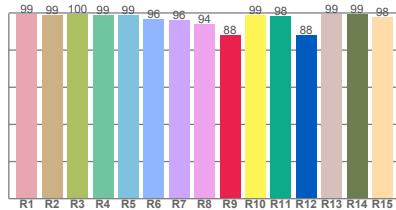
Item number:

PlusXL Pyramidal Fixed - LED71/U-30-19-700mA

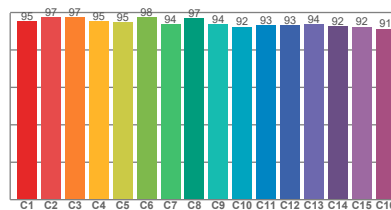
Delivered information for above fixture and LED combination.

Output: 1414 Lumen Peak intensity: 9718 cd Power consumption: 27.0

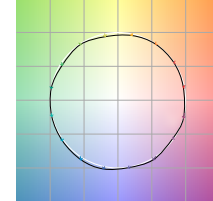
CRI R values



TM30 C Values

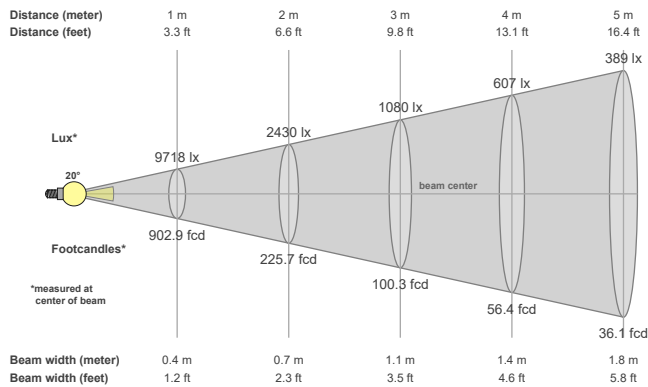


Color vector graphics



Color temperature	Color rendering index	Red component	Color fidelity	Color gamut	Color quality scale	Color coordinate cie 1931	Color coordinate cie 1931	Color coordinate	Color coordinate	Color deviation from black body
CCT	CRI	CRI R9	TM30 Rf	TM30 Rg	CQS	x	y	u	v	Δuv
3000 K	97.7	88.1	94.6	99.4	95.7	0.437	0.404	0.249	0.346	-0.0009

Beam details



Beam angels

Beam angle 50%	Field angle 10%	Cutoff angle 2,5%
20.1°	33.4°	45°

Beam intensities

Peak intensity	Int. ratio in 120° cone	Int. ratio in 90° cone
9718 cd	99.2%	95.2%

Beam intensities from 1-20m

1m	2m	3m	4m	5m	6m	7m	8m	9m	10m	11m	12m	13m	14m	15m	16m	17m	18m	19m	20m
3.3ft	6.6ft	9.8ft	13.1ft	16.4ft	19.7ft	23ft	26.2ft	29.5ft	32.8ft	36.1ft	39.4ft	42.7ft	45.9ft	49.2ft	52.5ft	55.8ft	59.1ft	62.3ft	65.6ft
9718lx	2430lx	1080lx	607lx	389lx	270lx	198lx	152lx	120lx	97lx	80lx	67lx	58lx	50lx	43lx	38lx	34lx	30lx	27lx	24lx
902.9fcd	225.7fcd	100.3fcd	56.4fcd	36.1fcd	25.1fcd	18.4fcd	14.1fcd	11.1fcd	9fcd	7.5fcd	6.3fcd	5.3fcd	4.6fcd	4fcd	3.5fcd	3.1fcd	2.8fcd	2.5fcd	2.3fcd

The above information is for 3000K colour temperature, for specific module information please see LED spec located on our website

For information regarding other colour temperatures please use the following factors for lumen output and candelas:

2700K = 1

Light efficiency:

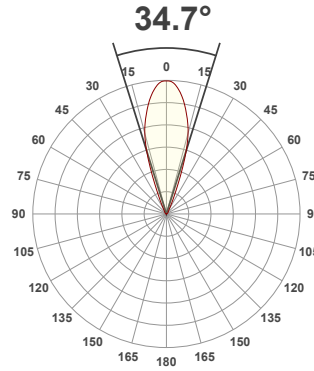
54 Lumen/Watt

Light quality:

CRI: 97.9

Color temperature:

3000 K



Product name:

090+XL-LED-SQ - LED71_U-30-34-700mA

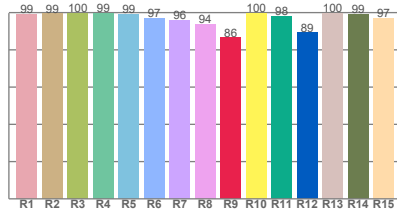
Item number:

PlusXL Pyramidal Fixed - LED71/U-30-34-700mA

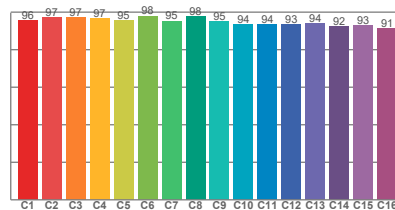
Delivered information for above fixture and LED combination.

Output: 1461 Lumen Peak intensity: 4139 cd Power consumption: 27.0

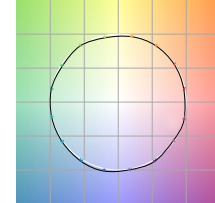
CRI R values



TM30 C Values

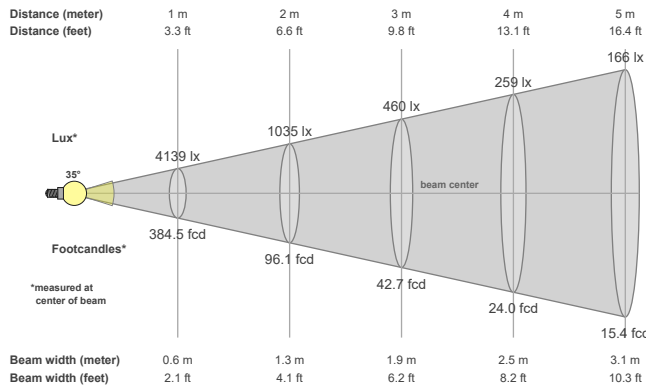


Color vector graphics



Color temperature	Color rendering index	Red component	Color fidelity	Color gamut	Color quality scale	Color coordinate cie 1931	Color coordinate cie 1931	Color coordinate	Color coordinate	Color deviation from black body
CCT	CRI	CRI R9	TM30 Rf	TM30 Rg	CQS	x	y	u	v	Δuv
3000 K	97.9	86.5	95.1	99.8	95.8	0.437	0.404	0.250	0.346	-0.0008

Beam details



Beam angles

Beam angle 50%	Field angle 10%	Cutoff angle 2,5%
34.7°	50.9°	74.5°

Beam intensities

Peak intensity	Int. ratio in 120° cone	Int. ratio in 90° cone
4139 cd	99.1%	94.7%

Beam intensities from 1-20m

1m	2m	3m	4m	5m	6m	7m	8m	9m	10m	11m	12m	13m	14m	15m	16m	17m	18m	19m	20m
3.3ft	6.6ft	9.8ft	13.1ft	16.4ft	19.7ft	23ft	26.2ft	29.5ft	32.8ft	36.1ft	39.4ft	42.7ft	45.9ft	49.2ft	52.5ft	55.8ft	59.1ft	62.3ft	65.6ft
4139lx	1035lx	460lx	259lx	166lx	115lx	84lx	65lx	51lx	41lx	34lx	29lx	24lx	21lx	18lx	16lx	14lx	13lx	11lx	10lx
384.5 fcd	96.1 fcd	42.7 fcd	24 fcd	15.4 fcd	10.7 fcd	7.8 fcd	6 fcd	4.7 fcd	3.8 fcd	3.2 fcd	2.7 fcd	2.3 fcd	2 fcd	1.7 fcd	1.5 fcd	1.3 fcd	1.2 fcd	1.1 fcd	1 fcd

The above information is for 3000K colour temperature, for specific module information please see LED spec located on our website

For information regarding other colour temperatures please use the following factors for lumen output and candelas:

2700K = 1