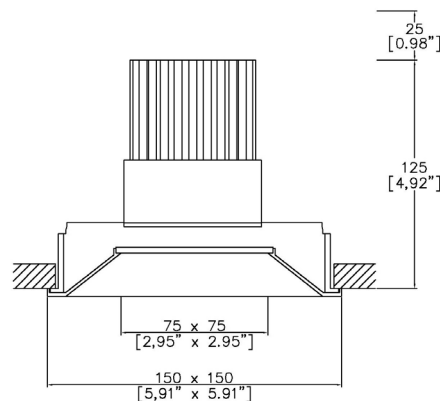


ProSpex Plus XL Pyramidal Fixed Trim



150 x 150mm (5.90" x 5.90") overall trim dimensions. Available with standard trim kit or plaster-in kit for flush appearance. Family of matching products also available. Required depth height + 25mm^



090+XL-LED-TR-SQ
Cut-out 142 x 142mm Ø

LED Source	LED71/U	LED71/U	LED71/U
CCT	3000K	3000K	3000K
Drive Current	700mA	700mA	700mA
Power inc Driver	27W	27W	27W
Beam Angle	12°	19°	34°
Delivered Lumens	1571	1414	1461
Delivered Intensisty cd	19898	9718	4139
Efficacy lm/w	58	52	54
Forward Volt	33V	33V	33V
CRI	≥98 CRI	≥98 CRI	≥98 CRI

Project Ref: _____

Location Ref: _____

Fixture Order Code: - - -

Fixture
090+XL-LED-TR-SQ Plus XL Pyramidal Fixed Trim with LED71

Finish
WH White
BK Black
RAL Custom RAL Colour*

IP Rating
44 IP44

Emergency
E Maintained 3hr Emergency
ED Maintained 3hr DALI Self Test
ES Maintained 3hr Self Test



LED Order Code: - - -

LED
LED71/U LED70 ONE ULTRA

CCT
927 90 CRI 2700K
930 90 CRI 3000K

Beam
12 12°
19 19°
34 34°

Protocol
S Non-Dim
A Analogue (0-10v)
P Phase
D DALI
B Bluetooth**



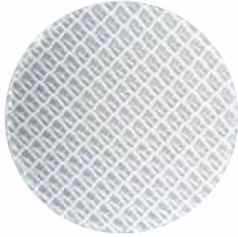
Honeycomb Louvre



Diffusing Lens



Frosted Lens



Heavy Spread Lens



Linear Spread Lens



Warm Tone

Accessories Order Code:

Louvre/Lens

- MD45 Honeycomb Louvre
- MDCC Warm Tone Lens
- MDUV UV Lens
- MDDF Diffusing Lens
- MDFR Frosted Lens
- MDLS Linear Spread Lens
- MDHS Heavy Spread Lens

Technical Details

*Custom RAL code must be specified. Custom RAL colours can increase prices and lead times

Dimming. Whilst Lucent can offer the majority of its luminaires with various dimming options, it remains the responsibility of the specifier/installer to check and ensure compatibility of any control equipment used. Additional cabling may be required depending on the dimming protocol specified.

**Bluetooth (wireless) is the communication method. The exact dimming protocol must be confirmed to allow the selection of suitable drivers or bluetooth devices.

^ Depth indicated is the minimum recess depth for the luminaire with a remote mounted LED driver. Installing a driver through either the luminaire cut-out or installation kit may require additional recess depth, please refer to the relevant luminaire installation instructions for further details.Data correct at time of publishing

First Fix Requirement. Luminaire comprised of fixture body with ceiling trim and installation kit, which is to be fitted into the ceiling once finished. Ensure correct alignment of the installation kit before final assembly (see luminaire installation instructions for details)

IP Rating. Tested from underside of the ceiling

It is the policy of Lucent Lighting to continually review and improve its products and therefore reserve the right to change any details of product or withdraw specifications without prior notice.

Luminaires designed to comply with EN60598 and all other standards.

This specification sheet superseded all previous versions.

All intellectual property rights pertaining to the product described above and to this document are owned by or licensed to Lucent Lighting Ltd.

We reserve the right to take whatever action is necessary to protect those intellectual property rights.

Please notify Lucent Lighting Ltd of any inaccuracies immediately. E&OE

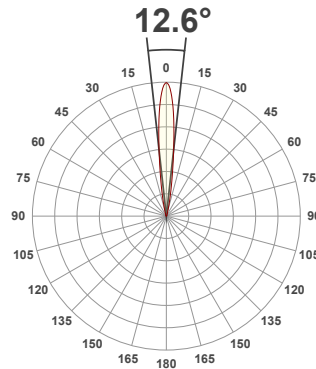
Light efficiency:



Light quality:



Color temperature:



Product name:

090+XL-LED-SQ - LED71_U-30-12-700mA

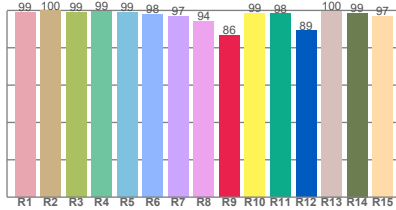
Item number:

PlusXL Pyramidal Fixed - LED71/U-30-12-700mA

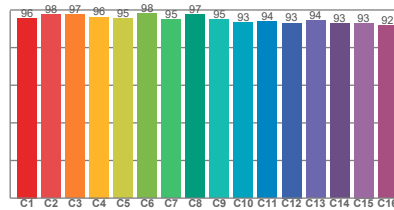
Delivered information for above fixture and LED combination.

Output: 1571 Lumen Peak intensity: 19898 cd Power consumption: 27.0

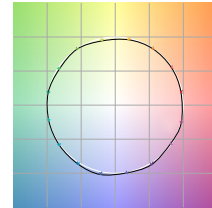
CRI R values



TM30 C Values

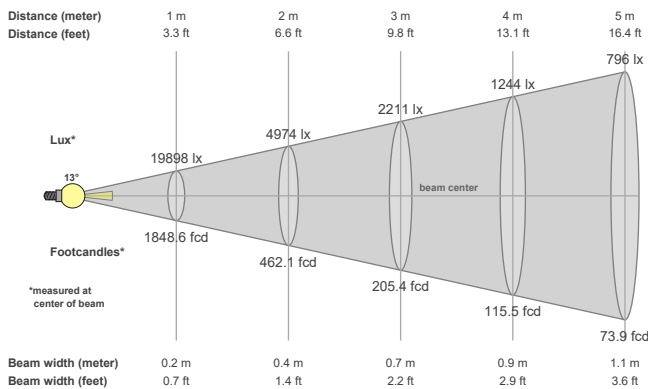


Color vector graphics



Color temperature	Color rendering index	Red component	Color fidelity	Color gamut	Color quality scale	Color coordinate cie 1931	Color coordinate cie 1931	Color coordinate	Color coordinate	Color deviation from black body
CCT	CRI	CRI R9	TM30 Rf	TM30 Rg	CQS	x	y	u	v	Δuv
3000 K	98.1	86.5	95.2	99.5	96.0	0.437	0.404	0.248	0.347	0.0003

Beam details



Beam angles

Beam angle 50%	Field angle 10%	Cutoff angle 2,5%
12.6°	25°	37.1°

Beam intensities

Peak intensity	Int. ratio in 120° cone	Int. ratio in 90° cone
19898 cd	99.2%	94.8%

Beam intensities from 1-20m

1m	2m	3m	4m	5m	6m	7m	8m	9m	10m	11m	12m	13m	14m	15m	16m	17m	18m	19m	20m
3.3ft	6.6ft	9.8ft	13.1ft	16.4ft	19.7ft	23ft	26.2ft	29.5ft	32.8ft	36.1ft	39.4ft	42.7ft	45.9ft	49.2ft	52.5ft	55.8ft	59.1ft	62.3ft	65.6ft
19898lx	4974lx	2211lx	1244lx	796lx	553lx	406lx	311lx	246lx	199lx	164lx	138lx	118lx	102lx	88lx	78lx	69lx	61lx	55lx	50lx
1848.6fcd	462.1fcd	205.4fcd	115.5fcd	73.9fcd	51.3fcd	37.7fcd	28.9fcd	22.8fcd	18.5fcd	15.3fcd	12.8fcd	10.9fcd	9.4fcd	8.2fcd	7.2fcd	6.4fcd	5.7fcd	5.1fcd	4.6fcd

The above information is for 3000K colour temperature, for specific module information please see LED spec located on our website

For information regarding other colour temperatures please use the following factors for lumen output and candelas:

2700K = 1

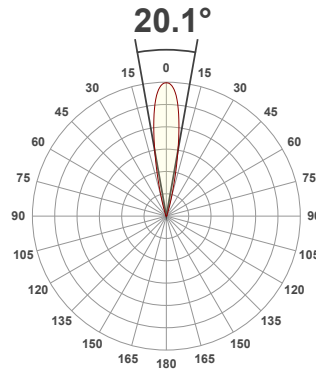
Light efficiency:



Light quality:



Color temperature:



Product name:

090+XL-LED-SQ - LED71_U-30-19-700mA

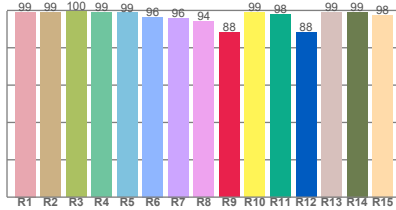
Item number:

PlusXL Pyramidal Fixed - LED71/U-30-19-700mA

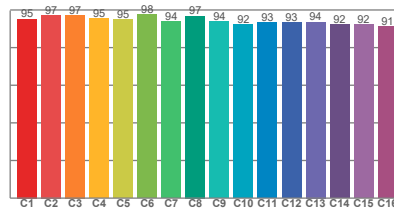
Delivered information for above fixture and LED combination.

Output: 1414 Lumen Peak intensity: 9718 cd Power consumption: 27.0

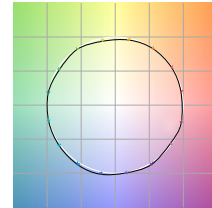
CRI R values



TM30 C Values

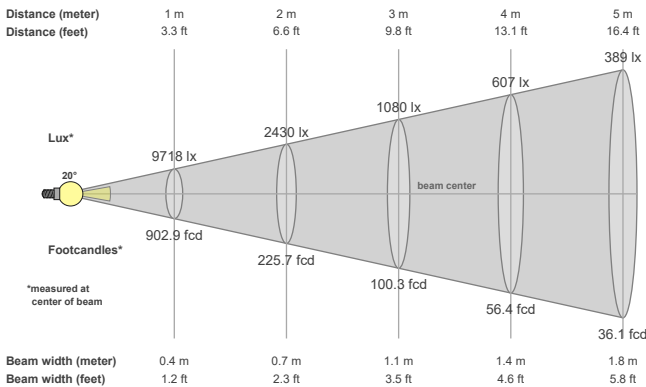


Color vector graphics



Color temperature	Color rendering index	Red component	Color fidelity	Color gamut	Color quality scale	Color coordinate cie 1931	Color coordinate cie 1931	Color coordinate	Color coordinate	Color deviation from black body
CCT	CRI	CRI R9	TM30 Rf	TM30 Rg	CQS	x	y	u	v	Δuv
3000 K	97.7	88.1	94.6	99.4	95.7	0.437	0.404	0.249	0.346	-0.0009

Beam details



Beam angles

Beam angle 50%	Field angle 10%	Cutoff angle 2,5%
20.1°	33.4°	45°

Beam intensities

Peak intensity	Int. ratio in 120° cone	Int. ratio in 90° cone
9718 cd	99.2%	95.2%

Beam intensities from 1-20m

1m	2m	3m	4m	5m	6m	7m	8m	9m	10m	11m	12m	13m	14m	15m	16m	17m	18m	19m	20m
3.3ft	6.6ft	9.8ft	13.1ft	16.4ft	19.7ft	23ft	26.2ft	29.5ft	32.8ft	36.1ft	39.4ft	42.7ft	45.9ft	49.2ft	52.5ft	55.8ft	59.1ft	62.3ft	65.6ft
9718lx	2430lx	1080lx	607lx	389lx	270lx	198lx	152lx	120lx	97lx	80lx	67lx	58lx	50lx	43lx	38lx	34lx	30lx	27lx	24lx
902.9fcd	225.7fcd	100.3fcd	56.4fcd	36.1fcd	25.1fcd	18.4fcd	14.1fcd	11.1fcd	9fcd	7.5fcd	6.3fcd	5.3fcd	4.6fcd	4fcd	3.5fcd	3.1fcd	2.8fcd	2.5fcd	2.3fcd

The above information is for 3000K colour temperature, for specific module information please see LED spec located on our website

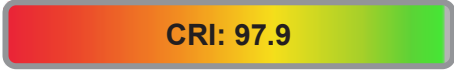
For information regarding other colour temperatures please use the following factors for lumen output and candelas:

2700K = 1

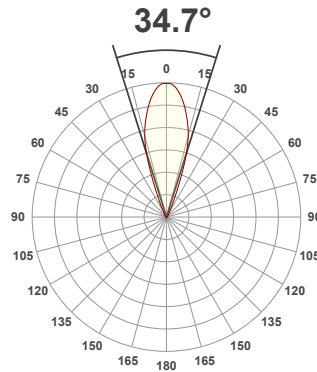
Light efficiency:



Light quality:



Color temperature:



Product name:

**090+XL-LED-SQ -
LED71_U-30-34-700mA**

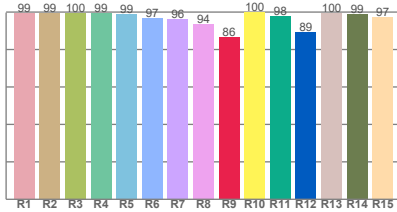
Item number:

**PlusXL Pyramidal Fixed -
LED71/U-30-34-700mA**

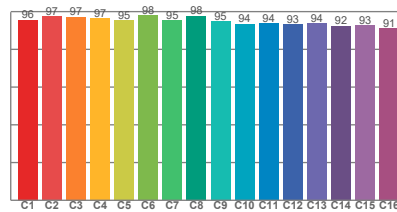
**Delivered information for above
fixture and LED combination.**

Output: 1461 Lumen Peak intensity: 4139 cd Power consumption: 27.0

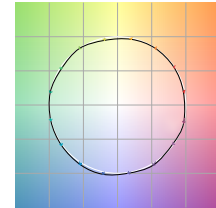
CRI R values



TM30 C Values

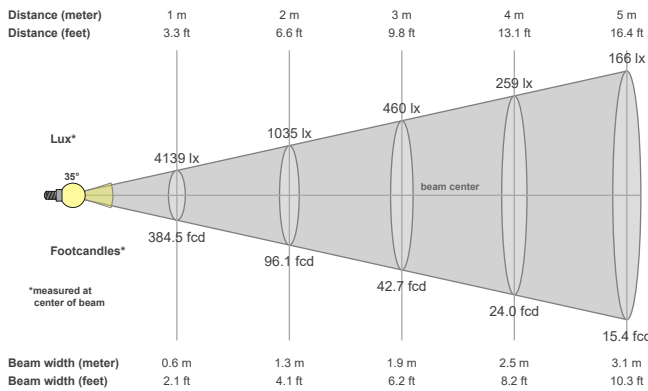


Color vector graphics



Color temperature	Color rendering index	Red component	Color fidelity	Color gamut	Color quality scale	Color coordinate cie 1931	Color coordinate cie 1931	Color coordinate	Color coordinate	Color division from black body
CCT	CRI	CRI R9	TM30 Rf	TM30 Rg	CQS	x	y	u	v	Δuv
3000 K	97.9	86.5	95.1	99.8	95.8	0.437	0.404	0.250	0.346	-0.0008

Beam details



Beam angles

Beam angle 50%	Field angle 10%	Cutoff angle 2,5%
34.7°	50.9°	74.5°

Beam intensities

Peak intensity	Int. ratio in 120° cone	Int. ratio in 90° cone
4139 cd	99.1%	94.7%

Beam intensities from 1-20m

1m	2m	3m	4m	5m	6m	7m	8m	9m	10m	11m	12m	13m	14m	15m	16m	17m	18m	19m	20m
3.3ft	6.6ft	9.8ft	13.1ft	16.4ft	19.7ft	23ft	26.2ft	29.5ft	32.8ft	36.1ft	39.4ft	42.7ft	45.9ft	49.2ft	52.5ft	55.8ft	59.1ft	62.3ft	65.6ft
4139lx	1035lx	460lx	259lx	166lx	115lx	84lx	65lx	51lx	41lx	34lx	29lx	24lx	21lx	18lx	16lx	14lx	13lx	11lx	10lx
384.5fcd	96.1fcd	42.7fcd	24fcd	15.4fcd	10.7fcd	7.8fcd	6fcd	4.7fcd	3.8fcd	3.2fcd	2.7fcd	2.3fcd	2fcd	1.7fcd	1.5fcd	1.3fcd	1.2fcd	1.1fcd	1fcd

The above information is for 3000K colour temperature, for specific module information please see LED spec located on our website

For information regarding other colour temperatures please use the following factors for lumen output and candelas:

2700K = 1