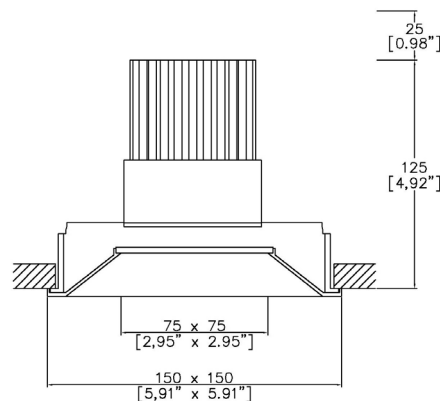


ProSpex Plus XL Pyramidal Fixed Trim



150 x 150mm (5.90" x 5.90") overall trim dimensions. Available with standard trim kit or plaster-in kit for flush appearance. Family of matching products also available. Required depth height + 25mm^



090+XL-LED-TR-SQ
Cut-out 142 x 142mm Ø

| | | | |
|-------------------------|---------|---------|---------|
| LED Source | LED71 | LED71 | LED71 |
| CCT | 3000K | 3000K | 3000K |
| Drive Current | 700mA | 700mA | 700mA |
| Power inc Driver | 27W | 27W | 27W |
| Beam Angle | 12° | 19° | 34° |
| Delivered Lumens | 1736 | 1697 | 1764 |
| Delivered Intensisty cd | 22011 | 11718 | 4689 |
| Efficacy lm/w | 64 | 63 | 65 |
| Forward Volt | 33V | 33V | 33V |
| CRI | ≥90 CRI | ≥90 CRI | ≥90 CRI |

Project Ref: _____

Location Ref: _____

Fixture Order Code: 090+XL-LED-TR-SQ - [] - [] - []

Fixture
090+XL-LED-TR-SQ Plus XL Pyramidal Fixed Trim with LED71

Finish
WH White
BK Black
RAL Custom RAL Colour*

IP Rating
44 IP44

Emergency
E Maintained 3hr Emergency
ED Maintained 3hr DALI Self Test
ES Maintained 3hr Self Test



LED Order Code: LED71 - [] - [] - []

LED
LED71 LED70 ONE

CCT
927 90 CRI 2700K
930 90 CRI 3000K
940 90 CRI 4000K

Beam
12 12°
19 19°
34 34°

Protocol
S Non-Dim
A Analogue (0-10v)
P Phase
D DALI
B Bluetooth**



Honeycomb Louvre



Diffusing Lens



Frosted Lens



Heavy Spread Lens



Linear Spread Lens



Warm Tone

Accessories Order Code:

Louvre/Lens

- MD45 Honeycomb Louvre
- MDCC Warm Tone Lens
- MDUV UV Lens
- MDDF Diffusing Lens
- MDFR Frosted Lens
- MDLS Linear Spread Lens
- MDHS Heavy Spread Lens

Technical Details

*Custom RAL code must be specified. Custom RAL colours can increase prices and lead times

Dimming. Whilst Lucent can offer the majority of its luminaires with various dimming options, it remains the responsibility of the specifier/installer to check and ensure compatibility of any control equipment used. Additional cabling may be required depending on the dimming protocol specified.

**Bluetooth (wireless) is the communication method. The exact dimming protocol must be confirmed to allow the selection of suitable drivers or bluetooth devices.

^ Depth indicated is the minimum recess depth for the luminaire with a remote mounted LED driver. Installing a driver through either the luminaire cut-out or installation kit may require additional recess depth, please refer to the relevant luminaire installation instructions for further details. Data correct at time of publishing

First Fix Requirement. Luminaire comprised of fixture body with ceiling trim and installation kit, which is to be fitted into the ceiling once finished. Ensure correct alignment of the installation kit before final assembly (see luminaire installation instructions for details)

IP Rating. Tested from underside of the ceiling

It is the policy of Lucent Lighting to continually review and improve its products and therefore reserve the right to change any details of product or withdraw specifications without prior notice.

Luminaires designed to comply with EN60598 and all other standards.

This specification sheet superseded all previous versions.

All intellectual property rights pertaining to the product described above and to this document are owned by or licensed to Lucent Lighting Ltd.

We reserve the right to take whatever action is necessary to protect those intellectual property rights.

Please notify Lucent Lighting Ltd of any inaccuracies immediately. E&OE

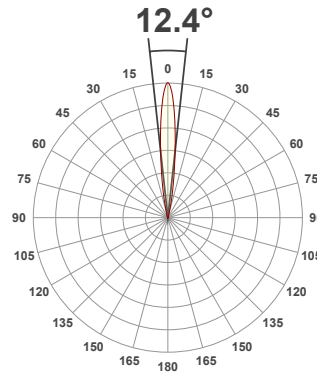
Light efficiency:



Light quality:



Color temperature:



Product name:

090+XL-LED-SQ - LED71-30-12-700mA

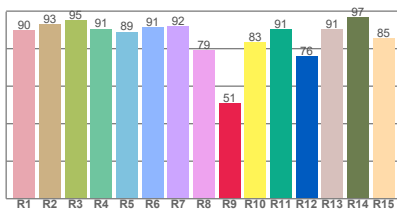
Item number:

Plus XL Pyramidal Fixed - LED71-30-12-700mA

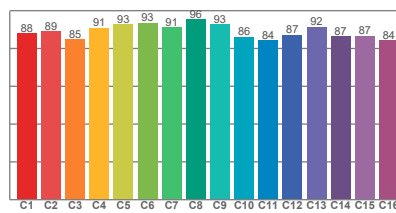
Delivered information for above fixture and LED combination.

Output: 1736 Lumen Peak intensity: 22011 cd Power consumption: 27.0

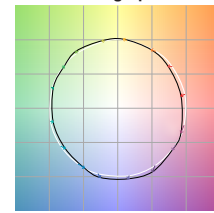
CRI R values



TM30 C Values

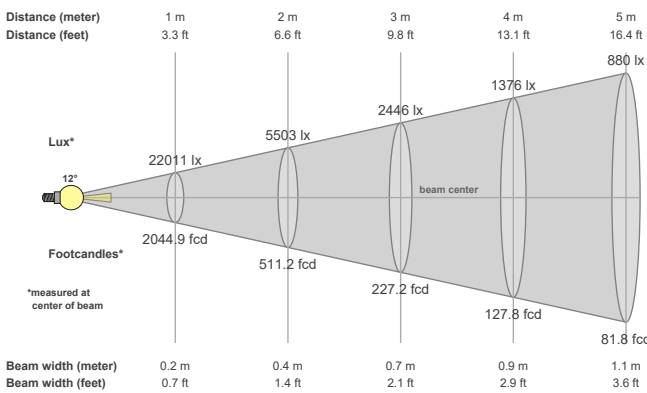


Color vector graphics



| Color temperature | Color rendering index | Red component | Color fidelity | Color gamut | Color quality scale | Color coordinate cie 1931 | Color coordinate cie 1931 | Color coordinate | Color coordinate | Color deviation from black body |
|-------------------|-----------------------|---------------|----------------|-------------|---------------------|---------------------------|---------------------------|------------------|------------------|---------------------------------|
| CCT | CRI | CRI R9 | TM30 Rf | TM30 Rg | CQS | x | y | u | v | Δuv |
| 3000 K | 90.1 | 50.8 | 89.1 | 99.4 | 88.8 | 0.437 | 0.404 | 0.249 | 0.348 | 0.0009 |

Beam details



Beam angels

| Beam angle 50% | Field angle 10% | Cutoff angle 2,5% |
|----------------|-----------------|-------------------|
| 12.4° | 25° | 36° |

Beam intensities

| Peak intensity | Int. ratio in 120° cone | Int. ratio in 90° cone |
|----------------|-------------------------|------------------------|
| 22011 cd | 98.9% | 94.2% |

Beam intensities from 1-20m

| 1m | 2m | 3m | 4m | 5m | 6m | 7m | 8m | 9m | 10m | 11m | 12m | 13m | 14m | 15m | 16m | 17m | 18m | 19m | 20m |
|-----------|----------|----------|----------|---------|---------|---------|--------|---------|---------|---------|---------|---------|---------|--------|--------|--------|--------|--------|--------|
| 3.3ft | 6.6ft | 9.8ft | 13.1ft | 16.4ft | 19.7ft | 23ft | 26.2ft | 29.5ft | 32.8ft | 36.1ft | 39.4ft | 42.7ft | 45.9ft | 49.2ft | 52.5ft | 55.8ft | 59.1ft | 62.3ft | 65.6ft |
| 22011lx | 5503lx | 2446lx | 1376lx | 880lx | 611lx | 449lx | 344lx | 272lx | 220lx | 182lx | 153lx | 130lx | 112lx | 98lx | 86lx | 76lx | 68lx | 61lx | 55lx |
| 2044.9fcd | 511.2fcd | 227.2fcd | 127.8fcd | 81.8fcd | 56.8fcd | 41.7fcd | 32fcd | 25.2fcd | 20.4fcd | 16.9fcd | 14.2fcd | 12.1fcd | 10.4fcd | 9.1fcd | 8fcd | 7.1fcd | 6.3fcd | 5.7fcd | 5.1fcd |

The above information is for 3000K colour temperature, for specific module information please see LED spec located on our website

For information regarding other colour temperatures please use the following factors for lumen output and candelas:

2700K = 1
4000K = 1.084

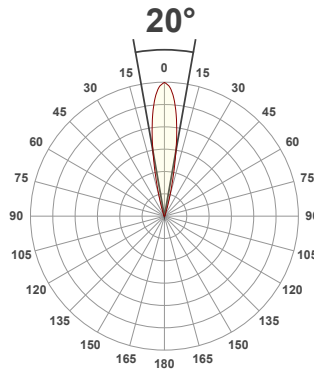
Light efficiency:



Light quality:



Color temperature:



Product name:

**090+XL-LED-SQ -
LED71-30-19-700mA**

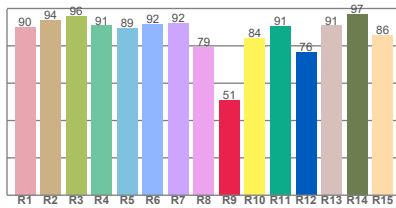
Item number:

**Plus XL Pyramidal Fixed -
LED71-30-19-700mA**

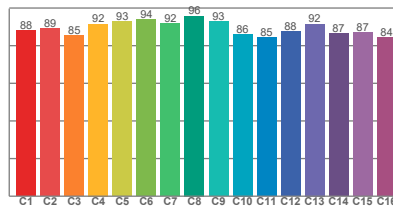
**Delivered information for above
fixture and LED combination.**

Output: 1697 Lumen Peak intensity: 11718 cd Power consumption: 27.0

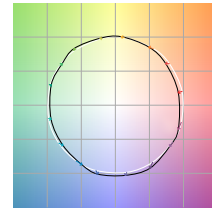
CRI R values



TM30 C Values

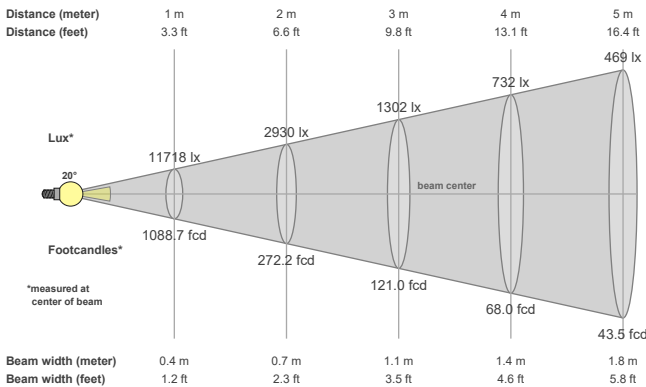


Color vector graphics



| Color temperature | Color rendering index | Red component | Color fidelity | Color gamut | Color quality scale | Color coordinate cie 1931 | Color coordinate cie 1931 | Color coordinate | Color coordinate | Color deviation from black body |
|-------------------|-----------------------|---------------|----------------|-------------|---------------------|---------------------------|---------------------------|------------------|------------------|---------------------------------|
| CCT | CRI | CRI R9 | TM30 Rf | TM30 Rg | CQS | x | y | u | v | Δuv |
| 3000 K | 90.3 | 51.1 | 89.3 | 99.2 | 89.0 | 0.437 | 0.404 | 0.249 | 0.348 | 0.0009 |

Beam details



Beam angles

| Beam angle 50% | Field angle 10% | Cutoff angle 2,5% |
|----------------|-----------------|-------------------|
| 20° | 33.5° | 45.4° |

Beam intensities

| Peak intensity | Int. ratio in 120° cone | Int. ratio in 90° cone |
|----------------|-------------------------|------------------------|
| 11718 cd | 99.0% | 95.2% |

Beam intensities from 1-20m

| 1m | 2m | 3m | 4m | 5m | 6m | 7m | 8m | 9m | 10m | 11m | 12m | 13m | 14m | 15m | 16m | 17m | 18m | 19m | 20m |
|-----------|----------|--------|--------|---------|---------|---------|--------|---------|---------|--------|--------|--------|--------|--------|--------|--------|--------|--------|--------|
| 3.3ft | 6.6ft | 9.8ft | 13.1ft | 16.4ft | 19.7ft | 23ft | 26.2ft | 29.5ft | 32.8ft | 36.1ft | 39.4ft | 42.7ft | 45.9ft | 49.2ft | 52.5ft | 55.8ft | 59.1ft | 62.3ft | 65.6ft |
| 11718lx | 2930lx | 1302lx | 732lx | 469lx | 326lx | 239lx | 183lx | 145lx | 117lx | 97lx | 81lx | 69lx | 60lx | 52lx | 46lx | 41lx | 36lx | 32lx | 29lx |
| 1088.7fcd | 272.2fcd | 121fcd | 68fcd | 43.5fcd | 30.2fcd | 22.2fcd | 17fcd | 13.4fcd | 10.9fcd | 9fcd | 7.6fcd | 6.4fcd | 5.6fcd | 4.8fcd | 4.3fcd | 3.8fcd | 3.4fcd | 3fcd | 2.7fcd |

The above information is for 3000K colour temperature, for specific module information please see LED spec located on our website

For information regarding other colour temperatures please use the following factors for lumen output and candelas:

2700K = 1
4000K = 1.084

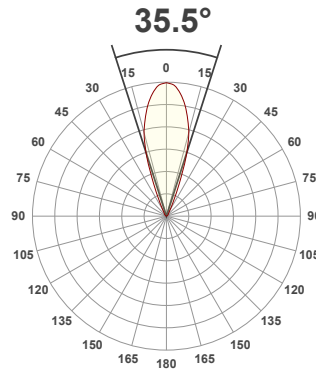
Light efficiency:



Light quality:



Color temperature:



Product name:

**090+XL-LED-SQ -
LED71-30-34-700mA**

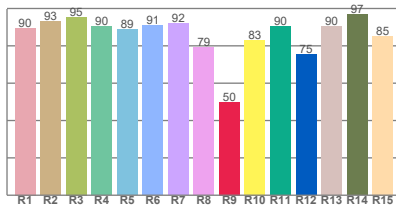
Item number:

**Plus XL Pyramidal Fixed -
LED71-30-34-700mA**

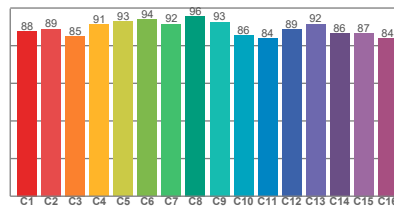
**Delivered information for above
fixture and LED combination.**

Output: 1764 Lumen Peak intensity: 4689 cd Power consumption: 27.0

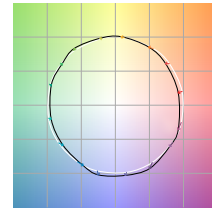
CRI R values



TM30 C Values

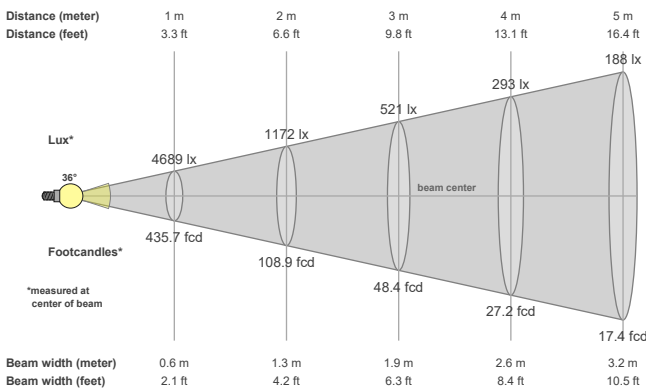


Color vector graphics



| Color temperature | Color rendering index | Red component | Color fidelity | Color gamut | Color quality scale | Color coordinate cie 1931 | Color coordinate cie 1931 | Color coordinate | Color coordinate | Color deviation from black body |
|-------------------|-----------------------|---------------|----------------|-------------|---------------------|---------------------------|---------------------------|------------------|------------------|---------------------------------|
| CCT | CRI | CRI R9 | TM30 Rf | TM30 Rg | CQS | x | y | u | v | Δuv |
| 3000 K | 89.9 | 50.0 | 89.1 | 99.2 | 88.8 | 0.437 | 0.404 | 0.248 | 0.348 | 0.0012 |

Beam details



Beam angles

| Beam angle 50% | Field angle 10% | Cutoff angle 2,5% |
|----------------|-----------------|-------------------|
| 35.5° | 53.1° | 78.7° |

Beam intensities

| Peak intensity | Int. ratio in 120° cone | Int. ratio in 90° cone |
|----------------|-------------------------|------------------------|
| 4689 cd | 98.9% | 94.5% |

Beam intensities from 1-20m

| 1m | 2m | 3m | 4m | 5m | 6m | 7m | 8m | 9m | 10m | 11m | 12m | 13m | 14m | 15m | 16m | 17m | 18m | 19m | 20m |
|----------|----------|---------|---------|---------|---------|--------|--------|--------|--------|--------|--------|--------|--------|--------|--------|--------|--------|--------|--------|
| 3.3ft | 6.6ft | 9.8ft | 13.1ft | 16.4ft | 19.7ft | 23ft | 26.2ft | 29.5ft | 32.8ft | 36.1ft | 39.4ft | 42.7ft | 45.9ft | 49.2ft | 52.5ft | 55.8ft | 59.1ft | 62.3ft | 65.6ft |
| 4689lx | 1172lx | 521lx | 293lx | 188lx | 130lx | 96lx | 73lx | 58lx | 47lx | 39lx | 33lx | 28lx | 24lx | 21lx | 18lx | 16lx | 14lx | 13lx | 12lx |
| 435.7fcd | 108.9fcd | 48.4fcd | 27.2fcd | 17.4fcd | 12.1fcd | 8.9fcd | 6.8fcd | 5.4fcd | 4.4fcd | 3.6fcd | 3fcd | 2.6fcd | 2.2fcd | 1.9fcd | 1.7fcd | 1.5fcd | 1.3fcd | 1.2fcd | 1.1fcd |

The above information is for 3000K colour temperature, for specific module information please see LED spec located on our website

For information regarding other colour temperatures please use the following factors for lumen output and candelas:

2700K = 1
4000K = 1.084