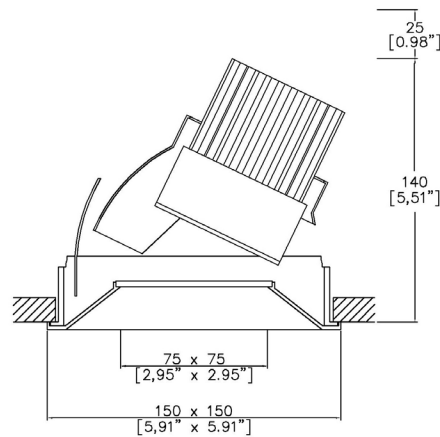


ProSpex Plus XL Pyramidal Accent Trim



150 x 150mm (5.90" x 5.90") overall trim dimensions. Available with standard trim kit or plaster-in kit for flush appearance. Family of matching products also available. Up to 35° tilt. Required depth height + 25mm[^]



093+XL-LED-TR-SQ
Cut-out 142 x 142mm Ø

LED Source	LED71/U	LED71/U	LED71/U
CCT	3000K	3000K	3000K
Drive Current	700mA	700mA	700mA
Power inc Driver	27W	27W	27W
Beam Angle	12°	19°	34°
Delivered Lumens	1495	1239	1324
Delivered Intensisty cd	19486	9541	3981
Efficacy lm/w	55	46	49
Forward Volt	33V	33V	33V
CRI	≥98 CRI	≥98 CRI	≥98 CRI

Project Ref: _____

Location Ref: _____

Fixture Order Code: - - -

Fixture
093+XL-LED-TR-SQ Plus XL Pyramidal Accent Trim with LED71

Finish
WH White
BK Black
RAL Custom RAL Colour*

IP Rating
44 IP44

Emergency
E Maintained 3hr Emergency
ED Maintained 3hr DALI Self Test
ES Maintained 3hr Self Test



LED Order Code: - - -

LED
LED71/U LED70 ONE ULTRA

CCT
927 90 CRI 2700K
930 90 CRI 3000K

Beam
12 12°
19 19°
34 34°

Protocol
S Non-Dim
A Analogue (0-10v)
P Phase
D DALI
B Bluetooth**



Honeycomb Louvre



Diffusing Lens



Frosted Lens



Heavy Spread Lens



Linear Spread Lens



Warm Tone

Accessories Order Code:

Louvre/Lens

- MD45 Honeycomb Louvre
- MDCC Warm Tone Lens
- MDUV UV Lens
- MDDF Diffusing Lens
- MDFR Frosted Lens
- MDLS Linear Spread Lens
- MDHS Heavy Spread Lens

Technical Details

*Custom RAL code must be specified. Custom RAL colours can increase prices and lead times

Dimming. Whilst Lucent can offer the majority of its luminaires with various dimming options, it remains the responsibility of the specifier/installer to check and ensure compatibility of any control equipment used. Additional cabling may be required depending on the dimming protocol specified.

**Bluetooth (wireless) is the communication method. The exact dimming protocol must be confirmed to allow the selection of suitable drivers or bluetooth devices.

^ Depth indicated is the minimum recess depth for the luminaire with a remote mounted LED driver. Installing a driver through either the luminaire cut-out or installation kit may require additional recess depth, please refer to the relevant luminaire installation instructions for further details. Data correct at time of publishing

First Fix Requirement. Luminaire comprised of fixture body with ceiling trim and installation kit, which is to be fitted into the ceiling once finished. Ensure correct alignment of the installation kit before final assembly (see luminaire installation instructions for details)

IP Rating. Tested from underside of the ceiling

It is the policy of Lucent Lighting to continually review and improve its products and therefore reserve the right to change any details of product or withdraw specifications without prior notice.

Luminaires designed to comply with EN60598 and all other standards.

This specification sheet superseded all previous versions.

All intellectual property rights pertaining to the product described above and to this document are owned by or licensed to Lucent Lighting Ltd.

We reserve the right to take whatever action is necessary to protect those intellectual property rights.

Please notify Lucent Lighting Ltd of any inaccuracies immediately. E&OE

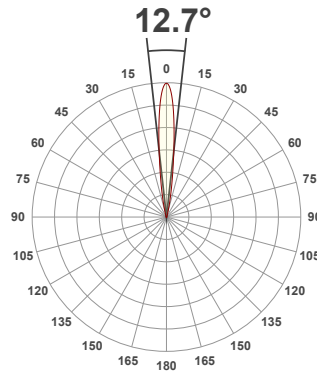
Light efficiency:



Light quality:



Color temperature:



Product name:

093+XL-LED-SQ - LED71_U-30-12-700mA

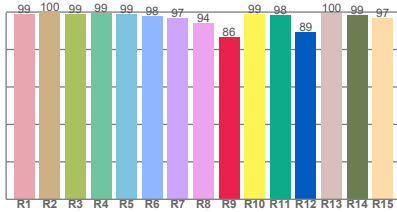
Item number:

PlusXL Pyramidal Accent - LED71/U-30-12-700mA

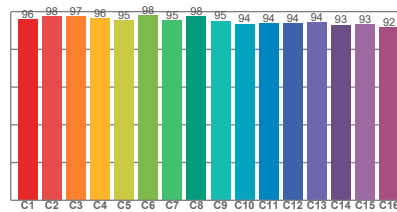
Delivered information for above fixture and LED combination.

Output: 1495 Lumen Peak intensity: 19486 cd Power consumption: 27.0

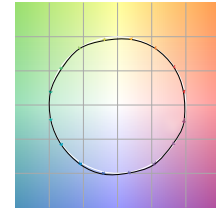
CRI R values



TM30 C Values

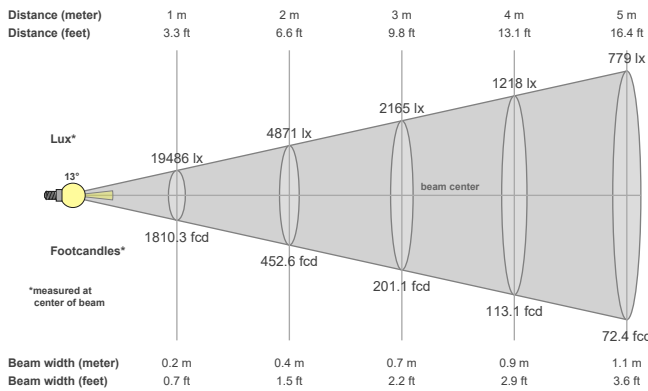


Color vector graphics



Color temperature	Color rendering index	Red component	Color fidelity	Color gamut	Color quality scale	Color coordinate cie 1931	Color coordinate cie 1931	Color coordinate	Color coordinate	Color division from black body
CCT	CRI	CRI R9	TM30 Rf	TM30 Rg	CQS	x	y	u	v	Δuv
3000 K	98.1	86.4	95.3	99.5	96.0	0.437	0.404	0.249	0.347	0.0003

Beam details



Beam angles

Beam angle 50%	Field angle 10%	Cutoff angle 2,5%
12.7°	25.2°	37.2°

Beam intensities

Peak intensity	Int. ratio in 120° cone	Int. ratio in 90° cone
19486 cd	99.4%	97.9%

Beam intensities from 1-20m

1m	2m	3m	4m	5m	6m	7m	8m	9m	10m	11m	12m	13m	14m	15m	16m	17m	18m	19m	20m
3.3ft	6.6ft	9.8ft	13.1ft	16.4ft	19.7ft	23ft	26.2ft	29.5ft	32.8ft	36.1ft	39.4ft	42.7ft	45.9ft	49.2ft	52.5ft	55.8ft	59.1ft	62.3ft	65.6ft
19486lx	4871lx	2165lx	1218lx	779lx	541lx	398lx	304lx	241lx	195lx	161lx	135lx	115lx	99lx	87lx	76lx	67lx	60lx	54lx	49lx
1810.3fcd	452.6fcd	201.1fcd	113.1fcd	72.4fcd	50.3fcd	36.9fcd	28.3fcd	22.3fcd	18.1fcd	15fcd	12.6fcd	10.7fcd	9.2fcd	8fcd	7.1fcd	6.3fcd	5.6fcd	5fcd	4.5fcd

The above information is for 3000K colour temperature, for specific module information please see LED spec located on our website

For information regarding other colour temperatures please use the following factors for lumen output and candelas:

2700K = 1

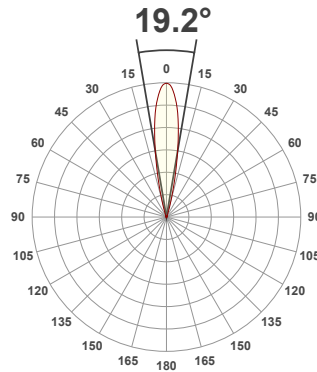
Light efficiency:



Light quality:



Color temperature:



Product name:

093+XL-LED-SQ - LED71_U-30-19-700mA

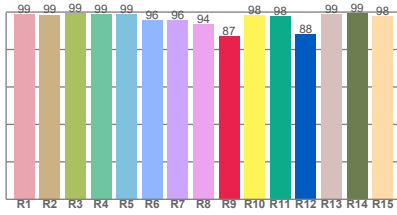
Item number:

PlusXL Pyramidal Accent - LED71/U-30-19-700mA

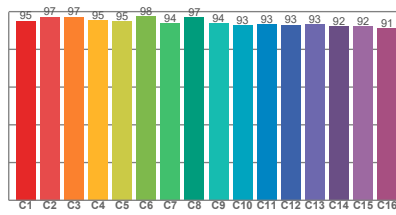
Delivered information for above fixture and LED combination.

Output: 1239 Lumen Peak intensity: 9541 cd Power consumption: 27.0

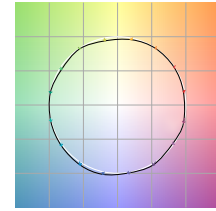
CRI R values



TM30 C Values

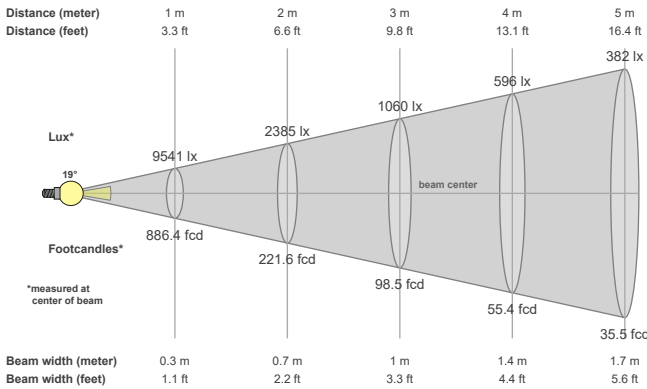


Color vector graphics



Color temperature	Color rendering index	Red component	Color fidelity	Color gamut	Color quality scale	Color coordinate cie 1931	Color coordinate cie 1931	Color coordinate	Color coordinate	Color division from black body
CCT	CRI	CRI R9	TM30 Rf	TM30 Rg	CQS	x	y	u	v	Δuv
3000 K	97.4	87.4	94.5	99.4	95.6	0.437	0.404	0.250	0.346	-0.0013

Beam details



Beam angles

Beam angle 50%	Field angle 10%	Cutoff angle 2,5%
19.2°	32.4°	43.1°

Beam intensities

Peak intensity	Int. ratio in 120° cone	Int. ratio in 90° cone
9541 cd	99.6%	98.1%

Beam intensities from 1-20m

1m	2m	3m	4m	5m	6m	7m	8m	9m	10m	11m	12m	13m	14m	15m	16m	17m	18m	19m	20m
3.3ft	6.6ft	9.8ft	13.1ft	16.4ft	19.7ft	23ft	26.2ft	29.5ft	32.8ft	36.1ft	39.4ft	42.7ft	45.9ft	49.2ft	52.5ft	55.8ft	59.1ft	62.3ft	65.6ft
9541lx	2385lx	1060lx	596lx	382lx	265lx	195lx	149lx	118lx	95lx	79lx	66lx	56lx	49lx	42lx	37lx	33lx	29lx	26lx	24lx
886.4fcd	221.6fcd	98.5fcd	55.4fcd	35.5fcd	24.6fcd	18.1fcd	13.9fcd	10.9fcd	8.9fcd	7.3fcd	6.2fcd	5.2fcd	4.5fcd	3.9fcd	3.5fcd	3.1fcd	2.7fcd	2.5fcd	2.2fcd

The above information is for 3000K colour temperature, for specific module information please see LED spec located on our website

For information regarding other colour temperatures please use the following factors for lumen output and candelas:

2700K = 1

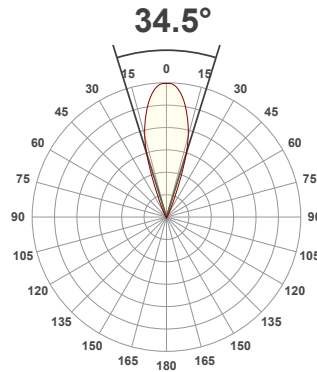
Light efficiency:



Light quality:



Color temperature:



Product name:

093+XL-LED-SQ - LED71_U-30-34-700mA

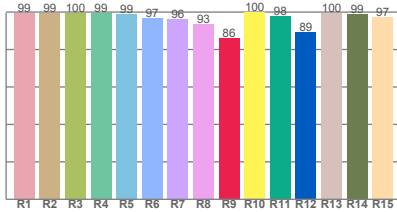
Item number:

PlusXL Pyramidal Accent - LED71/U-30-34-700mA

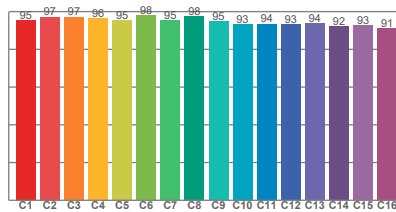
Delivered information for above fixture and LED combination.

Output: 1324 Lumen Peak intensity: 3981 cd Power consumption: 27.0

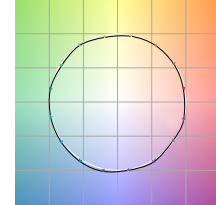
CRI R values



TM30 C Values

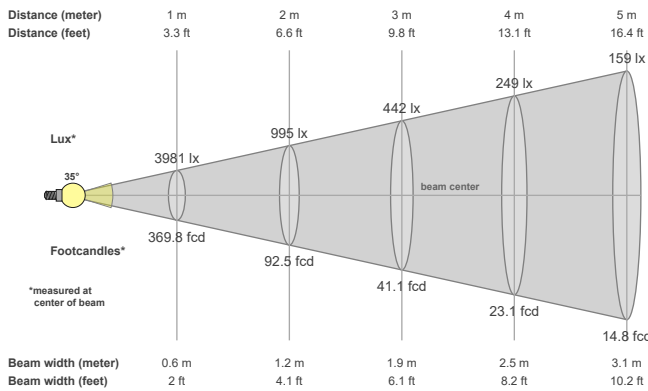


Color vector graphics



Color temperature	Color rendering index	Red component	Color fidelity	Color gamut	Color quality scale	Color coordinate cie 1931	Color coordinate cie 1931	Color coordinate	Color coordinate	Color division from black body
CCT	CRI	CRI R9	TM30 Rf	TM30 Rg	CQS	x	y	u	v	Δuv
3000 K	97.8	86.0	95.0	99.7	95.7	0.437	0.404	0.250	0.346	-0.0009

Beam details



Beam angles

Beam angle 50%	Field angle 10%	Cutoff angle 2,5%
34.5°	50.1°	70.8°

Beam intensities

Peak intensity	Int. ratio in 120° cone	Int. ratio in 90° cone
3981 cd	99.7%	98.1%

Beam intensities from 1-20m

1m	2m	3m	4m	5m	6m	7m	8m	9m	10m	11m	12m	13m	14m	15m	16m	17m	18m	19m	20m
3.3ft	6.6ft	9.8ft	13.1ft	16.4ft	19.7ft	23ft	26.2ft	29.5ft	32.8ft	36.1ft	39.4ft	42.7ft	45.9ft	49.2ft	52.5ft	55.8ft	59.1ft	62.3ft	65.6ft
3981lx	995lx	442lx	249lx	159lx	111lx	81lx	62lx	49lx	40lx	33lx	28lx	24lx	20lx	18lx	16lx	14lx	12lx	11lx	10lx
369.8fcd	92.5fcd	41.1fcd	23.1fcd	14.8fcd	10.3fcd	7.5fcd	5.8fcd	4.6fcd	3.7fcd	3.1fcd	2.6fcd	2.2fcd	1.9fcd	1.6fcd	1.4fcd	1.3fcd	1.1fcd	1fcd	0.9fcd

The above information is for 3000K colour temperature, for specific module information please see LED spec located on our website

For information regarding other colour temperatures please use the following factors for lumen output and candelas:

2700K = 1