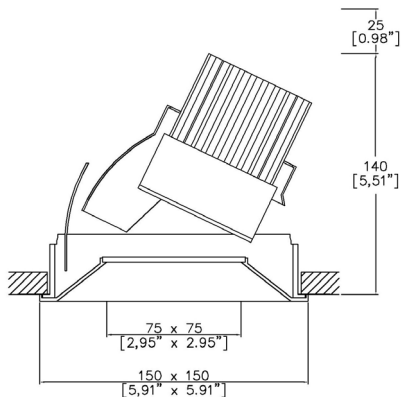


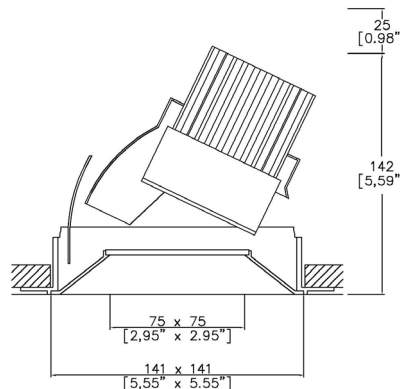
# Plus5 XL Pyramidal Accent



Plus provides high performance electronics and architectural aesthetics in round and square 3.5” and 5” trim. Plus products include adjustable, fixed and wallwash in a flanged or trimless installation kit. Adjustable can be provided with gear driven adjustment or manual adjustment. Available in various front plates (Conical, Bevel, Edge, Pyramidal and Square Bevel) Bevel and Square Bevel available with various color inserts. Tray, retrofit and housing installation methods (NIC, IC, AT, T24 and CCEA) Multiple configurations for equal spacing also available. Lucent modules available in a wide range of color temperatures, beam angles, intensities, and effects (Ambiance WarmDim and Dynamic Tuneable White). TRIAC/Phase, 0-10v/1-10v, DMX and DALI/Digital dimming.



**A093+XL-LED-TR-SQ**  
360° rotation. Up to 45° tilt.  
Cut-out 142 x 142mm  
(5.59" x 5.59")



**A093+XL-LED-TL-SQ**  
360° rotation. Up to 45° tilt.  
Cut-out 142 x 142mm  
(5.59" x 5.59")



### Installation kit for overlap flange

### Mud-in kit for seamless/trimless

	LED71	LED71	LED71	LED71/U	LED71/U	LED71/U
LED Source	LED71	LED71	LED71	LED71/U	LED71/U	LED71/U
CCT	3000K	3000K	3000K	3000K	3000K	3000K
Drive Current	700mA	700mA	700mA	700mA	700mA	700mA
Power inc Driver	27W	27W	27W	27W	27W	27W
Beam Angle	12°	19°	34°	12°	19°	34°
Delivered Lumens	1883	1556	1624	1495	1239	1324
Delivered Intensity cd	25423	10950	4461	19486	9541	3981
Efficacy lm/w	70	58	60	55	46	49
Forward Volt	33V	33V	33V	33V	33V	33V
CRI	≥90 CRI	≥90 CRI	≥90 CRI	≥98 CRI	≥98 CRI	≥98 CRI

Project Ref: \_\_\_\_\_

Location Ref: \_\_\_\_\_

Specify fixture part number (All boxes must be filled in to correctly order)

A093+XL-LED														
-------------	--	--	--	--	--	--	--	--	--	--	--	--	--	--

**Installation**

- TR-SQ Flange kit
- TL-SQ Mud-in kit

**Finish**

- WH White
- BK Black
- RAL Custom\*

**Location**

- XX Dry
- DP Damp

**Ceiling Thickness**

- SC Standard Ceiling (1/2"-5/8"-3/4")
- C Custom

**LED Type**

- LED71 LED71 (90CRI)
- LED71/U LED71/U (98CRI)

**CCT**

- 27 2700K
- 30 3000K
- 35 3500K
- 40 4000K (90 CRI ONLY)

**Beam Angles**

- 12 12
- 19 19
- 34 34

**Housing/Tray**

- LMT-15-NIC Mounting Tray Non-Insulated ceilings
- LH-8.50-NIC Housing 8.50" Non-Insulated ceilings
- LH-11.25-AT/IC Housing 11.25" Insulated/Air-tight ceilings and Chicago Plenum

**Mounting Hardware**

- 09 9" to 15.25" - Adjustable Bar Hanger Lengths
- 14 14" to 24" - Adjustable Bar Hanger Lengths
- 36 28" to 36" - Adjustable Bar Hanger Lengths
- BB Butterfly Bracket
- CB Caterpillar Bracket

**Supply Voltage**

- 120 120V
- 277 277V

**Dimming Protocol**

- S Non-Dimmable
- P TRIAC/Phase (120V ONLY) (25-10% Minimum Dimming)\*\*\*
- LP Lutron Forward Phase 2-Wire (1% Dimming) (120V ONLY)
- ESS EcoSystem 5-Series (5% Dimming)
- LHE EcoSystem Hi-Lume Fade to Black (1% Dimming)
- LAE Lutron 3-Wire Hi-Lume (1% Dimming)
- LHP Lutron Hi-Lume Premier EcoSystem (0.1% Dimming)
- A 0-10V (15-5% Minimum Dimming)\*\*\*
- ESD EldoLED Solo DALI2 (0.1% Dimming)
- EED EldoLED Eco DALI2 (1% Dimming)
- ESA EldoLED Solo 0-10V/1-10V (0.1% Dimming)
- EEA EldoLED Eco 0-10V/1-10V (1% Dimming)
- B Bluetooth\*\*

**Emergency**

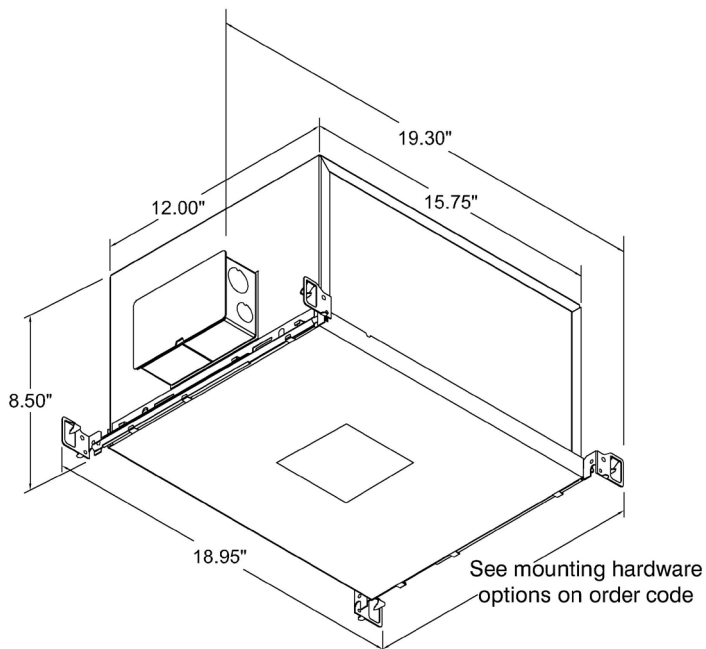
- E 3hr Emergency
- ES 3hr Self Test

**Louvre/Lens**

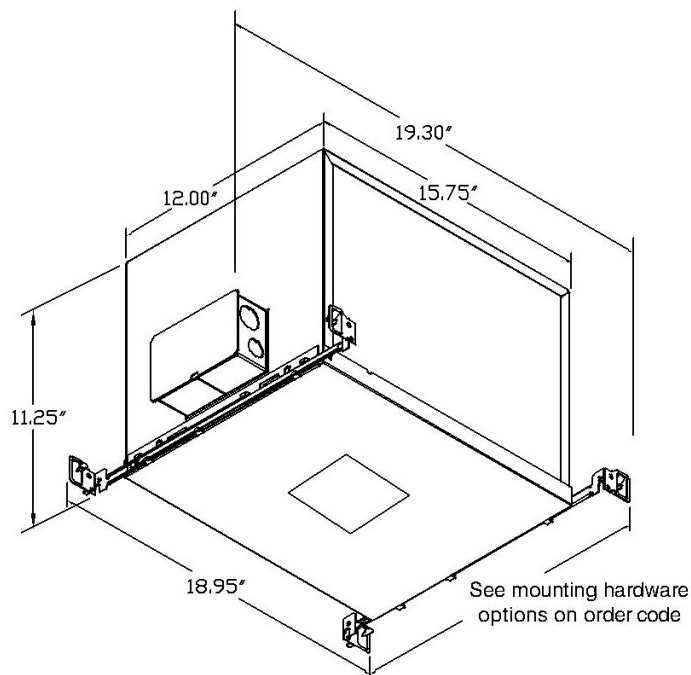
- XX Not required
- MD45 Honeycomb
- MDUV UV
- MDDF Solite/Diffusing
- MDFR Frosted Lens
- MDLS Linear Spread
- MDHS Heavy Spread

\*Refer to Technical Details for more information

Housing dimensions

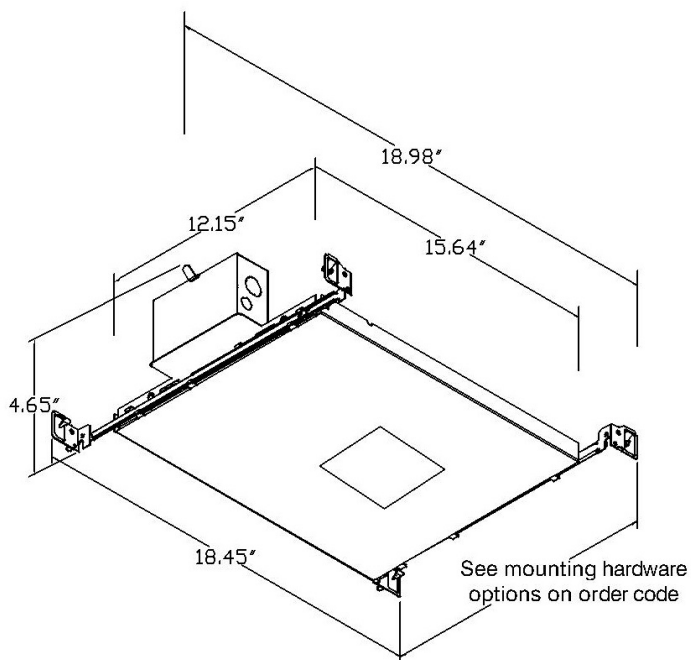


LH-8.50  
Non-insulated ceiling

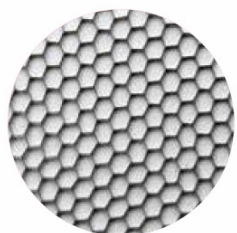


LH-11.25  
Insulated/air-tight ceilings and  
Chicago Plenum

Tray dimensions



LMT-15  
Non-insulated ceilings



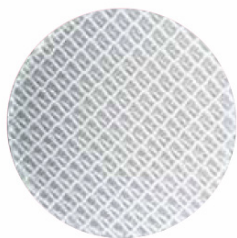
**Honeycomb Louvre (MD45)**



**Solite/Diffusing Lens (MDDF)**



**Frosted Lens (MDFR)**



**Heavy Spread Lens (MDHS)**



**Linear Spread Lens (MDLS)**

---

## Technical Details

\*Custom color requires a paint chip or RAL code and may increase price and lead-time

It is the responsibility of the specifier/integrator/installer to check and ensure compatibility of any control equipment used. Additional cabling may be required depending on the dimming protocol specified.

\*\*Bluetooth (wireless) is a communication protocol. The exact dimming protocol must be confirmed to allow the selection of suitable drivers or Bluetooth devices.

\*\*\*Non specific driver type, dimming performance depending on exact driver used. Contact Lucent Lighting for more information.

^ Depth indicated is the minimum recess depth for the luminaire with a remote mounted LED driver. Installing a driver through either the luminaire cut-out or installation kit may require additional recess depth, please refer to the relevant installation instructions prior to purchase.

First Fix Requirement. Luminaire comprised of fixture body with ceiling trim and installation kit, which is to be fitted into the ceiling once finished. Ensure correct alignment of the installation kit before final assembly (see luminaire installation instructions for details)

Location. Tested from underside of the ceiling.

Data correct at time of publishing. It is the policy of Lucent Lighting to continually review and improve its products and therefore reserve the right to change any details of product or withdraw specifications without prior notice.

This specification sheet supersedes all previous versions.

All intellectual property rights pertaining to the product described above and to this document are owned by or licensed to Lucent Lighting, Incorporated. Lucent Lighting reserves the right to take whatever action is necessary to protect its intellectual property, patents and trademarks

Please notify Lucent Lighting Inc. inaccuracies. E&OE

---



## Light efficiency:

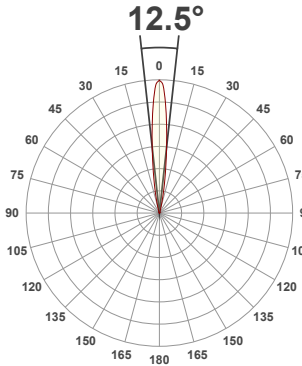
**70 Lumen/Watt**

## Light quality:

**CRI: 90.0**

## Color temperature:

**3000 K**



## Product name:

**093+XL-LED-SQ - LED71-30-12-700mA**

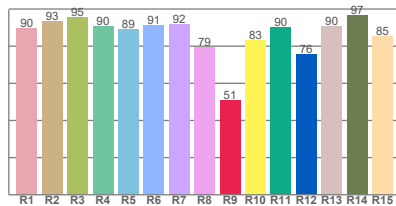
## Item number:

**Plus XL Pyramidal Accent - LED71-30-12-700mA**

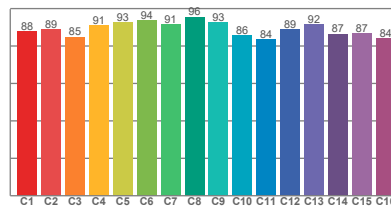
**Delivered information for above fixture and LED combination.**

**Output: 1883 Lumen Peak intensity: 25423 cd Power consumption: 27.0**

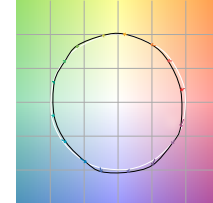
### CRI R values



### TM30 C Values

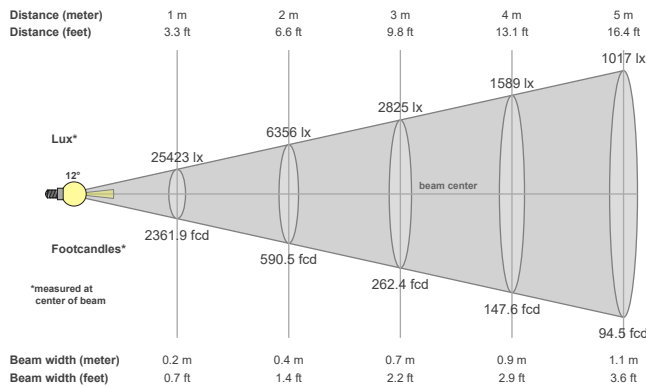


### Color vector graphics



Color temperature	Color rendering index	Red component	Color fidelity	Color gamut	Color quality scale	Color coordinate cie 1931	Color coordinate cie 1931	Color coordinate	Color coordinate	Color deviation from black body
CCT	CRI	CRI R9	TM30 Rf	TM30 Rg	CQS	x	y	u	v	Δuv
3000 K	90.0	50.7	89.0	99.4	88.7	0.437	0.404	0.249	0.348	0.0008

### Beam details



### Beam angles

Beam angle 50%	Field angle 10%	Cutoff angle 2,5%
12.5°	25.3°	35°

### Beam intensities

Peak intensity	Int. ratio in 120° cone	Int. ratio in 90° cone
25423 cd	99.1%	97.5%

### Beam intensities from 1-20m

1m	2m	3m	4m	5m	6m	7m	8m	9m	10m	11m	12m	13m	14m	15m	16m	17m	18m	19m	20m
3.3ft	6.6ft	9.8ft	13.1ft	16.4ft	19.7ft	23ft	26.2ft	29.5ft	32.8ft	36.1ft	39.4ft	42.7ft	45.9ft	49.2ft	52.5ft	55.8ft	59.1ft	62.3ft	65.6ft
25423lx	6356lx	2825lx	1589lx	1017lx	706lx	519lx	397lx	314lx	254lx	210lx	177lx	150lx	130lx	113lx	99lx	88lx	78lx	70lx	64lx
2361.9fcd	590.5fcd	262.4fcd	147.6fcd	94.5fcd	65.6fcd	48.2fcd	36.9fcd	29.2fcd	23.6fcd	19.5fcd	16.4fcd	14fcd	12.1fcd	10.5fcd	9.2fcd	8.2fcd	7.3fcd	6.5fcd	5.9fcd

The above information is for 3000K colour temperature, for specific module information please see LED spec located on our website

For information regarding other colour temperatures please use the following factors for lumen output and candelas:

2700K = 1  
4000K = 1.084

Light efficiency:

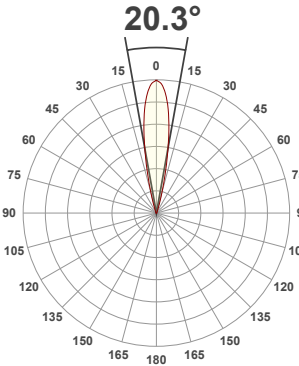
**58 Lumen/Watt**

Light quality:

**CRI: 90.3**

Color temperature:

**3000 K**



Product name:

**093+XL-LED-SQ - LED71-30-19-700mA**

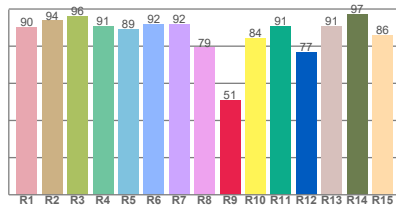
Item number:

**Plus XL Pyramidal Accent - LED71-30-19-700mA**

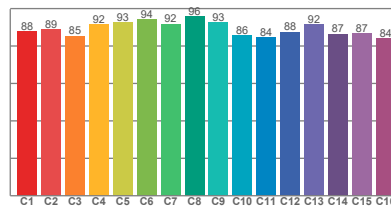
Delivered information for above fixture and LED combination.

Output: 1556 Lumen Peak intensity: 10950 cd Power consumption: 27.0

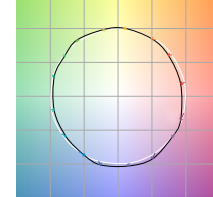
CRI R values



TM30 C Values

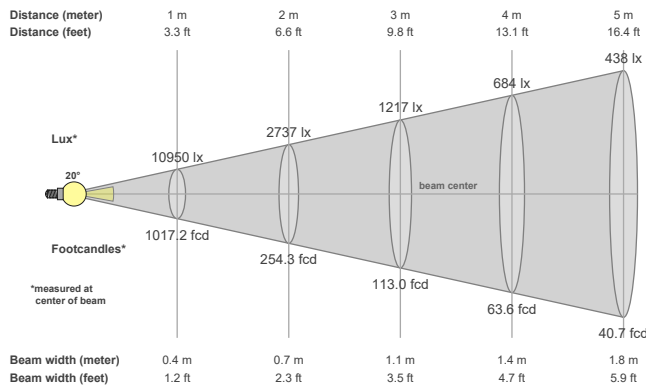


Color vector graphics



Color temperature	Color rendering index	Red component	Color fidelity	Color gamut	Color quality scale	Color coordinate cie 1931	Color coordinate cie 1931	Color coordinate	Color coordinate	Color deviation from black body
CCT	CRI	CRI R9	TM30 Rf	TM30 Rg	CQS	x	y	u	v	Δuv
3000 K	90.3	50.9	89.3	99.1	88.9	0.437	0.404	0.249	0.348	0.0007

### Beam details



### Beam angles

Beam angle 50%	Field angle 10%	Cutoff angle 2,5%
20.3°	33.6°	45.4°

### Beam intensities

Peak intensity	Int. ratio in 120° cone	Int. ratio in 90° cone
10950 cd	99.4%	97.8%

### Beam intensities from 1-20m

1m	2m	3m	4m	5m	6m	7m	8m	9m	10m	11m	12m	13m	14m	15m	16m	17m	18m	19m	20m
3.3ft	6.6ft	9.8ft	13.1ft	16.4ft	19.7ft	23ft	26.2ft	29.5ft	32.8ft	36.1ft	39.4ft	42.7ft	45.9ft	49.2ft	52.5ft	55.8ft	59.1ft	62.3ft	65.6ft
10950lx	2737lx	1217lx	684lx	438lx	304lx	223lx	171lx	135lx	109lx	90lx	76lx	65lx	56lx	49lx	43lx	38lx	34lx	30lx	27lx
1017.2fcd	254.3fcd	113fcd	63.6fcd	40.7fcd	28.3fcd	20.8fcd	15.9fcd	12.6fcd	10.2fcd	8.4fcd	7.1fcd	6fcd	5.2fcd	4.5fcd	4fcd	3.5fcd	3.1fcd	2.8fcd	2.5fcd

The above information is for 3000K colour temperature, for specific module information please see LED spec located on our website

For information regarding other colour temperatures please use the following factors for lumen output and candelas:

2700K = 1  
4000K = 1.084

## Light efficiency:

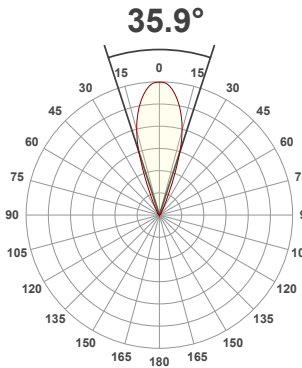
**60 Lumen/Watt**

## Light quality:

**CRI: 89.9**

## Color temperature:

**3000 K**



## Product name:

**093+XL-LED-SQ - LED71-30-34-700mA**

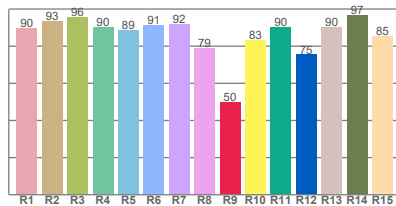
## Item number:

**Plus XL Pyramidal Accent - LED71-30-34-700mA**

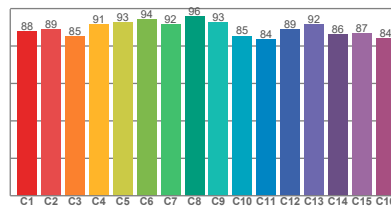
**Delivered information for above fixture and LED combination.**

**Output: 1624 Lumen Peak intensity: 4461 cd Power consumption: 27.0**

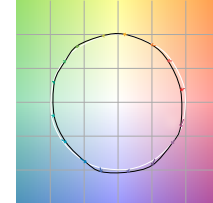
### CRI R values



### TM30 C Values

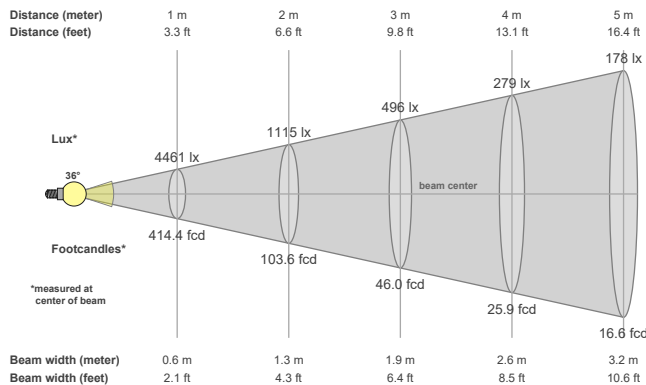


### Color vector graphics



Color temperature	Color rendering index	Red component	Color fidelity	Color gamut	Color quality scale	Color coordinate cie 1931	Color coordinate cie 1931	Color coordinate	Color coordinate	Color deviation from black body
CCT	CRI	CRI R9	TM30 Rf	TM30 Rg	CQS	x	y	u	v	Δuv
3000 K	89.9	49.8	89.0	99.1	88.7	0.437	0.404	0.248	0.348	0.0010

### Beam details



### Beam angels

Beam angle 50%	Field angle 10%	Cutoff angle 2,5%
35.9°	52.5°	74.1°

### Beam intensities

Peak intensity	Int. ratio in 120° cone	Int. ratio in 90° cone
4461 cd	99.6%	98.0%

### Beam intensities from 1-20m

1m	2m	3m	4m	5m	6m	7m	8m	9m	10m	11m	12m	13m	14m	15m	16m	17m	18m	19m	20m
3.3ft	6.6ft	9.8ft	13.1ft	16.4ft	19.7ft	23ft	26.2ft	29.5ft	32.8ft	36.1ft	39.4ft	42.7ft	45.9ft	49.2ft	52.5ft	55.8ft	59.1ft	62.3ft	65.6ft
4461lx	1115lx	496lx	279lx	178lx	124lx	91lx	70lx	55lx	45lx	37lx	31lx	26lx	23lx	20lx	17lx	15lx	14lx	12lx	11lx
414.4fcd	103.6fcd	46fcd	25.9fcd	16.6fcd	11.5fcd	8.5fcd	6.5fcd	5.1fcd	4.1fcd	3.4fcd	2.9fcd	2.5fcd	2.1fcd	1.8fcd	1.6fcd	1.4fcd	1.3fcd	1.1fcd	1fcd

The above information is for 3000K colour temperature, for specific module information please see LED spec located on our website

For information regarding other colour temperatures please use the following factors for lumen output and candelas:

2700K = 1  
4000K = 1.084

Light efficiency:

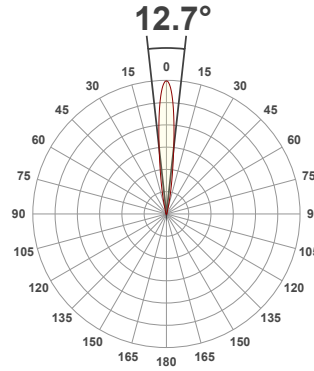
**55 Lumen/Watt**

Light quality:

**CRI: 98.1**

Color temperature:

**3000 K**



Product name:

**093+XL-LED-SQ - LED71\_U-30-12-700mA**

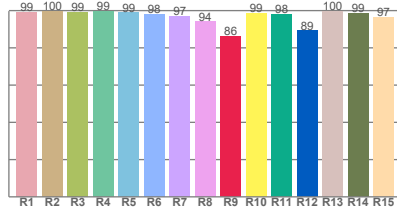
Item number:

**PlusXL Pyramidal Accent - LED71/U-30-12-700mA**

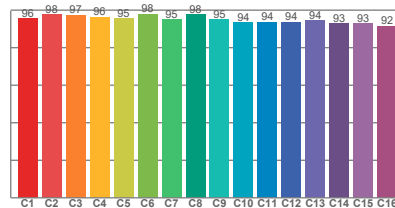
Delivered information for above fixture and LED combination.

Output: 1495 Lumen Peak intensity: 19486 cd Power consumption: 27.0

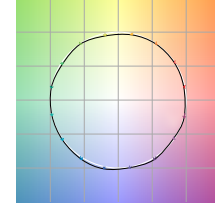
CRI R values



TM30 C Values

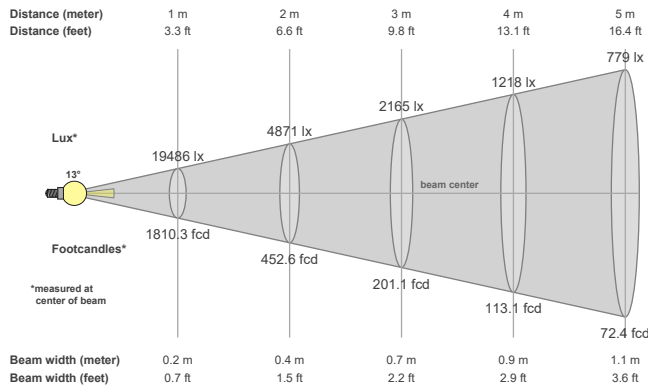


Color vector graphics



Color temperature	Color rendering index	Red component	Color fidelity	Color gamut	Color quality scale	Color coordinate cie 1931	Color coordinate cie 1931	Color coordinate	Color coordinate	Color deviation from black body
CCT	CRI	CRI R9	TM30 Rf	TM30 Rg	CQS	x	y	u	v	Δuv
3000 K	98.1	86.4	95.3	99.5	96.0	0.437	0.404	0.249	0.347	0.0003

### Beam details



### Beam angles

Beam angle 50%	Field angle 10%	Cutoff angle 2,5%
12.7°	25.2°	37.2°

### Beam intensities

Peak intensity	Int. ratio in 120° cone	Int. ratio in 90° cone
19486 cd	99.4%	97.9%

### Beam intensities from 1-20m

1m	2m	3m	4m	5m	6m	7m	8m	9m	10m	11m	12m	13m	14m	15m	16m	17m	18m	19m	20m
3.3ft	6.6ft	9.8ft	13.1ft	16.4ft	19.7ft	23ft	26.2ft	29.5ft	32.8ft	36.1ft	39.4ft	42.7ft	45.9ft	49.2ft	52.5ft	55.8ft	59.1ft	62.3ft	65.6ft
19486lx	4871lx	2165lx	1218lx	779lx	541lx	398lx	304lx	241lx	195lx	161lx	135lx	115lx	99lx	87lx	76lx	67lx	60lx	54lx	49lx
1810.3fcd	452.6fcd	201.1fcd	113.1fcd	72.4fcd	50.3fcd	36.9fcd	28.3fcd	22.3fcd	18.1fcd	15fcd	12.6fcd	10.7fcd	9.2fcd	8fcd	7.1fcd	6.3fcd	5.6fcd	5fcd	4.5fcd

The above information is for 3000K colour temperature, for specific module information please see LED spec located on our website

For information regarding other colour temperatures please use the following factors for lumen output and candelas:

2700K = 1



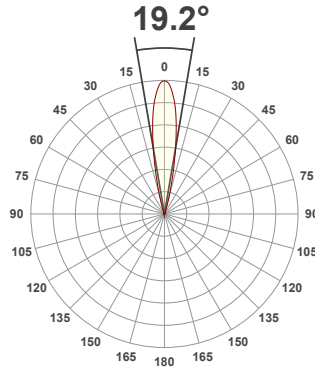
**Light efficiency:**



**Light quality:**



**Color temperature:**



**Product name:**

**093+XL-LED-SQ - LED71\_U-30-19-700mA**

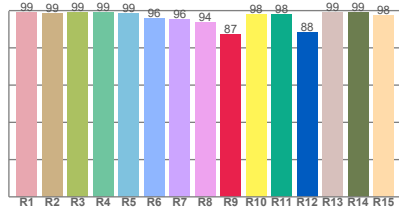
**Item number:**

**PlusXL Pyramidal Accent - LED71/U-30-19-700mA**

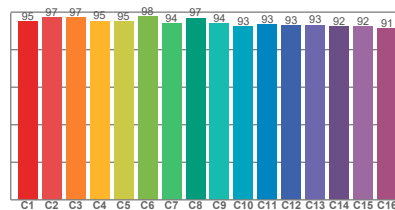
**Delivered information for above fixture and LED combination.**

**Output: 1239 Lumen Peak intensity: 9541 cd Power consumption: 27.0**

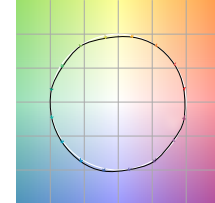
**CRI R values**



**TM30 C Values**

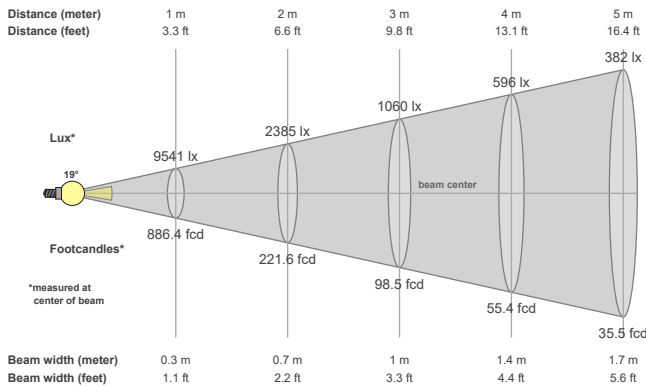


**Color vector graphics**



Color temperature	Color rendering index	Red component	Color fidelity	Color gamut	Color quality scale	Color coordinate cie 1931	Color coordinate cie 1931	Color coordinate	Color coordinate	Color deviation from black body
CCT	CRI	CRI R9	TM30 Rf	TM30 Rg	CQS	x	y	u	v	Δuv
3000 K	97.4	87.4	94.5	99.4	95.6	0.437	0.404	0.250	0.346	-0.0013

**Beam details**



**Beam angles**

Beam angle 50%	Field angle 10%	Cutoff angle 2,5%
19.2°	32.4°	43.1°

**Beam intensities**

Peak intensity	Int. ratio in 120° cone	Int. ratio in 90° cone
9541 cd	99.6%	98.1%

**Beam intensities from 1-20m**

1m	2m	3m	4m	5m	6m	7m	8m	9m	10m	11m	12m	13m	14m	15m	16m	17m	18m	19m	20m
3.3ft	6.6ft	9.8ft	13.1ft	16.4ft	19.7ft	23ft	26.2ft	29.5ft	32.8ft	36.1ft	39.4ft	42.7ft	45.9ft	49.2ft	52.5ft	55.8ft	59.1ft	62.3ft	65.6ft
9541lx	2385lx	1060lx	596lx	382lx	265lx	195lx	149lx	118lx	95lx	79lx	66lx	56lx	49lx	42lx	37lx	33lx	29lx	26lx	24lx
886.4fcd	221.6fcd	98.5fcd	55.4fcd	35.5fcd	24.6fcd	18.1fcd	13.9fcd	10.9fcd	8.9fcd	7.3fcd	6.2fcd	5.2fcd	4.5fcd	3.9fcd	3.5fcd	3.1fcd	2.7fcd	2.5fcd	2.2fcd

The above information is for 3000K colour temperature, for specific module information please see LED spec located on our website

For information regarding other colour temperatures please use the following factors for lumen output and candelas:

2700K = 1

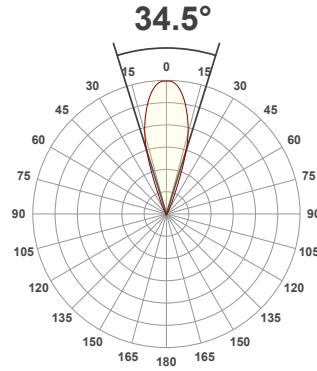
**Light efficiency:**



**Light quality:**



**Color temperature:**



**Product name:**

**093+XL-LED-SQ - LED71\_U-30-34-700mA**

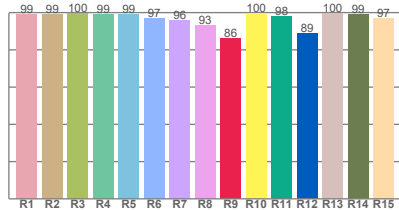
**Item number:**

**PlusXL Pyramidal Accent - LED71/U-30-34-700mA**

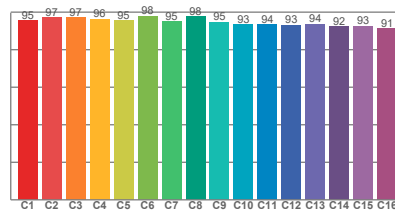
**Delivered information for above fixture and LED combination.**

**Output: 1324 Lumen Peak intensity: 3981 cd Power consumption: 27.0**

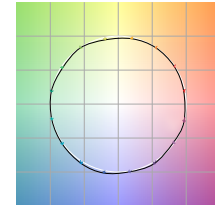
**CRI R values**



**TM30 C Values**

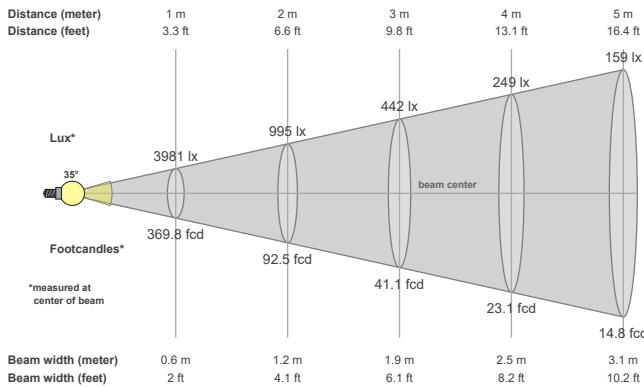


**Color vector graphics**



Color temperature	Color rendering index	Red component	Color fidelity	Color gamut	Color quality scale	Color coordinate cie 1931	Color coordinate cie 1931	Color coordinate	Color coordinate	Color deviation from black body
CCT	CRI	CRI R9	TM30 Rf	TM30 Rg	CQS	x	y	u	v	Δuv
3000 K	97.8	86.0	95.0	99.7	95.7	0.437	0.404	0.250	0.346	-0.0009

**Beam details**



**Beam angles**

Beam angle 50%	Field angle 10%	Cutoff angle 2,5%
34.5°	50.1°	70.8°

**Beam intensities**

Peak intensity	Int. ratio in 120° cone	Int. ratio in 90° cone
3981 cd	99.7%	98.1%

**Beam intensities from 1-20m**

1m	2m	3m	4m	5m	6m	7m	8m	9m	10m	11m	12m	13m	14m	15m	16m	17m	18m	19m	20m
3.3ft	6.6ft	9.8ft	13.1ft	16.4ft	19.7ft	23ft	26.2ft	29.5ft	32.8ft	36.1ft	39.4ft	42.7ft	45.9ft	49.2ft	52.5ft	55.8ft	59.1ft	62.3ft	65.6ft
3981lx	995lx	442lx	249lx	159lx	111lx	81lx	62lx	49lx	40lx	33lx	28lx	24lx	20lx	18lx	16lx	14lx	12lx	11lx	10lx
369.8fcd	92.5fcd	41.1fcd	23.1fcd	14.8fcd	10.3fcd	7.5fcd	5.8fcd	4.6fcd	3.7fcd	3.1fcd	2.6fcd	2.2fcd	1.9fcd	1.6fcd	1.4fcd	1.3fcd	1.1fcd	1fcd	0.9fcd

The above information is for 3000K colour temperature, for specific module information please see LED spec located on our website

For information regarding other colour temperatures please use the following factors for lumen output and candelas:

2700K = 1