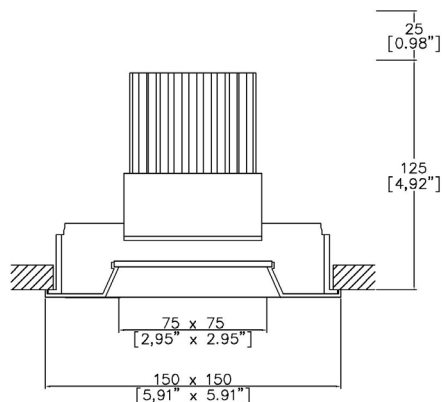


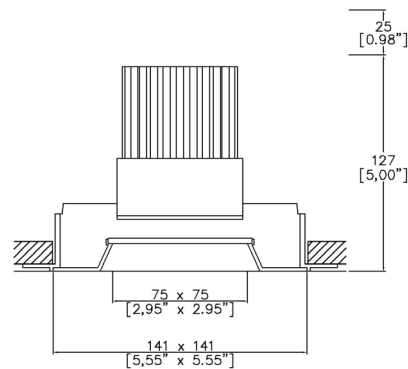
Plus5 XL Square Bevel Fixed



Plus provides high performance electronics and architectural aesthetics in round and square 3.5” and 5” trim. Plus products include adjustable, fixed and wallwash in a flanged or trimless installation kit. Adjustable can be provided with gear driven adjustment or manual adjustment. Available in various front plates (Conical, Bevel, Edge, Pyramidal and Square Bevel) Bevel and Square Bevel available with various color inserts. Tray, retrofit and housing installation methods (NIC, IC, AT, T24 and CCEA) Multiple configurations for equal spacing also available. Lucent modules available in a wide range of color temperatures, beam angles, intensities, and effects (Ambiance WarmDim and Dynamic Tuneable White). TRIAC/Phase, 0-10v/1-10v, DMX and DALI/Digital dimming.



A090+XL-33-LED-TR-SQ
Cut-out 142 x 142mm
(5.59" x 5.59")



A090+XL-33-LED-TL-SQ
Cut-out 142 x 142mm
(5.59" x 5.59")



Installation kit for overlap flange

Mud-in kit for seamless/trimless

	LED71	LED71	LED71	LED71/U	LED71/U	LED71/U
LED Source	LED71	LED71	LED71	LED71/U	LED71/U	LED71/U
CCT	3000K	3000K	3000K	3000K	3000K	3000K
Drive Current	700mA	700mA	700mA	700mA	700mA	700mA
Power inc Driver	27W	27W	27W	27W	27W	27W
Beam Angle	12°	19°	34°	12°	19°	34°
Delivered Lumens	1915	1546	1685	1531	1362	1398
Delivered Intensisty cd	27092	11208	4684	22239	9686	4154
Efficacy lm/w	71	57	62	57	50	52
Forward Volt	33V	33V	33V	33V	33V	33V
CRI	≥90 CRI	≥90 CRI	≥90 CRI	≥98 CRI	≥98 CRI	≥98 CRI

Project Ref: _____

Location Ref: _____

Specify fixture part number (All boxes must be filled in to correctly order)

A090+XL-33-LED														
-----------------------	--	--	--	--	--	--	--	--	--	--	--	--	--	--

Installation

- TR-SQ** Flange kit
- TL-SQ** Mud-in kit

Finish

- WH** White
- BK** Black
- RAL** Custom*

Location

- XX** Dry
- DP** Damp

Ceiling Thickness

- SC** Standard Ceiling (1/2"-5/8"-3/4")
- C** Custom

LED Type

- LED71** LED71 (90CRI)
- LED71/U** LED71/U (98CRI)

CCT

- 27** 2700K
- 30** 3000K
- 35** 3500K
- 40** 4000K (90 CRI ONLY)

Beam Angles

- 12** 12
- 19** 19
- 34** 34

Housing/Tray

- LMT-15-NIC** Mounting Tray Non-Insulated ceilings
- LH-8.50-NIC** Housing 8.50" Non-Insulated ceilings
- LH-11.25-AT/IC** Housing 11.25" Insulated/Air-tight ceilings and Chicago Plenum

Mounting Hardware

- 09** 9" to 15.25" - Adjustable Bar Hanger Lengths
- 14** 14" to 24" - Adjustable Bar Hanger Lengths
- 36** 28" to 36" - Adjustable Bar Hanger Lengths
- BB** Butterfly Bracket
- CB** Caterpillar Bracket

Supply Voltage

- 120** 120V
- 277** 277V

Dimming Protocol

- S** Non-Dimmable
- P** TRIAC/Phase (120V ONLY) (25-10% Minimum Dimming)***
- LP** Lutron Forward Phase 2-Wire (1% Dimming) (120V ONLY)
- ESS** EcoSystem 5-Series (5% Dimming)
- LHE** EcoSystem Hi-Lume Fade to Black (1% Dimming)
- LAE** Lutron 3-Wire Hi-Lume (1% Dimming)
- LHP** Lutron Hi-Lume Premier EcoSystem (0.1% Dimming)
- A** 0-10V (15-5% Minimum Dimming)***
- ESD** EldoLED Solo DALI2 (0.1% Dimming)
- EED** EldoLED Eco DALI2 (1% Dimming)
- ESA** EldoLED Solo 0-10V/1-10V (0.1% Dimming)
- EEA** EldoLED Eco 0-10V/1-10V (1% Dimming)
- B** Bluetooth**

Emergency

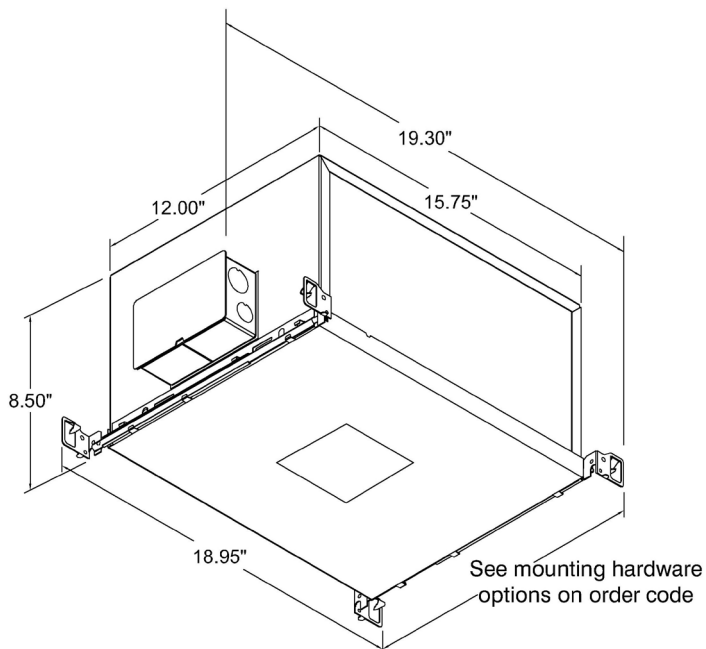
- E** 3hr Emergency
- ES** 3hr Self Test

Louvre/Lens

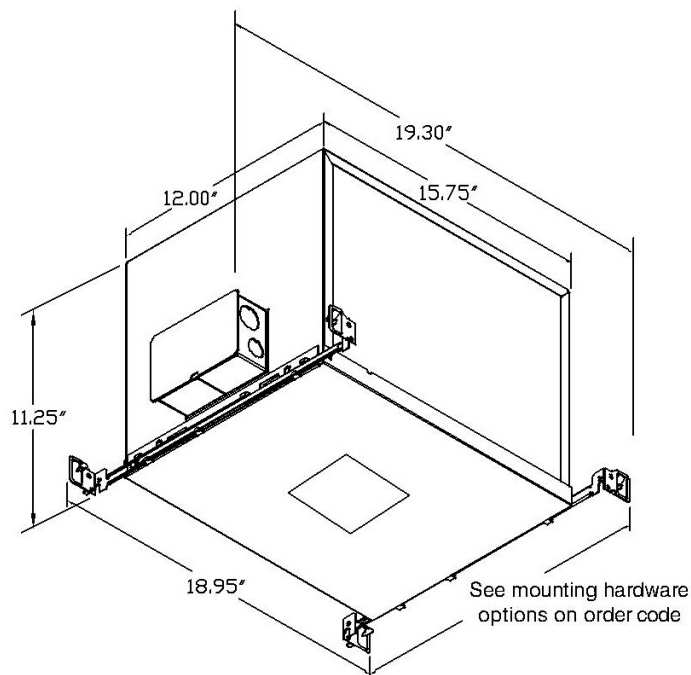
- XX** Not required
- MD45** Honeycomb
- MDUV** UV
- MDDF** Solite/Diffusing
- MDFR** Frosted Lens
- MDLS** Linear Spread
- MDHS** Heavy Spread

*Refer to Technical Details for more information

Housing dimensions

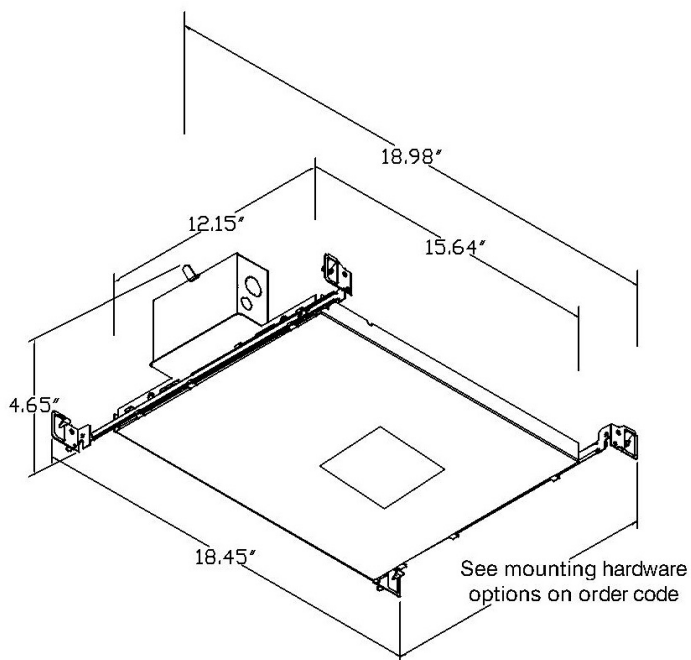


LH-8.50
Non-insulated ceiling

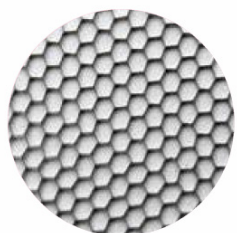


LH-11.25
Insulated/air-tight ceilings and
Chicago Plenum

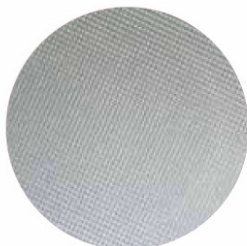
Tray dimensions



LMT-15
Non-insulated ceilings



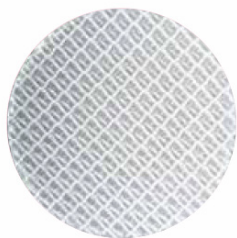
Honeycomb Louvre (MD45)



Solite/Diffusing Lens (MDDF)



Frosted Lens (MDFR)



Heavy Spread Lens (MDHS)



Linear Spread Lens (MDLS)

Technical Details

*Custom color requires a paint chip or RAL code and may increase price and lead-time

It is the responsibility of the specifier/integrator/installer to check and ensure compatibility of any control equipment used. Additional cabling may be required depending on the dimming protocol specified.

**Bluetooth (wireless) is a communication protocol. The exact dimming protocol must be confirmed to allow the selection of suitable drivers or Bluetooth devices.

***Non specific driver type, dimming performance depending on exact driver used. Contact Lucent Lighting for more information.

^ Depth indicated is the minimum recess depth for the luminaire with a remote mounted LED driver. Installing a driver through either the luminaire cut-out or installation kit may require additional recess depth, please refer to the relevant installation instructions prior to purchase.

First Fix Requirement. Luminaire comprised of fixture body with ceiling trim and installation kit, which is to be fitted into the ceiling once finished. Ensure correct alignment of the installation kit before final assembly (see luminaire installation instructions for details)

Location. Tested from underside of the ceiling.

Data correct at time of publishing. It is the policy of Lucent Lighting to continually review and improve its products and therefore reserve the right to change any details of product or withdraw specifications without prior notice.

This specification sheet supersedes all previous versions.

All intellectual property rights pertaining to the product described above and to this document are owned by or licensed to Lucent Lighting, Incorporated. Lucent Lighting reserves the right to take whatever action is necessary to protect its intellectual property, patents and trademarks

Please notify Lucent Lighting Inc. inaccuracies. E&OE



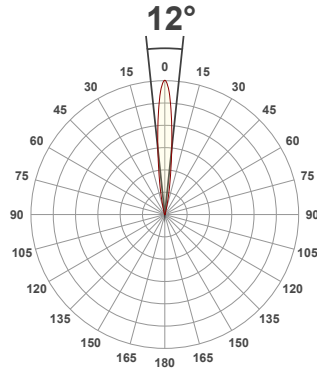
Light efficiency:



Light quality:



Color temperature:



Product name:

090+XL-33-LED-SQ - LED71-30-12-700mA

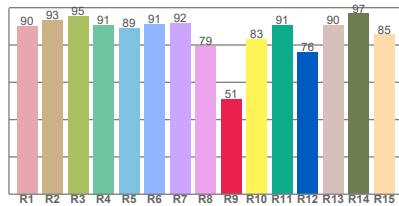
Item number:

Plus XL Square Bevel Fixed - LED71-30-12-700mA

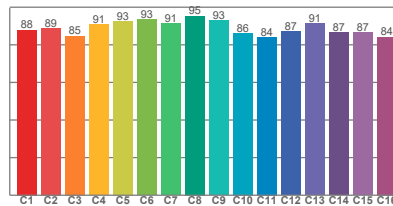
Delivered information for above fixture and LED combination.

Output: 1915 Lumen Peak intensity: 27092 cd Power consumption: 27.0

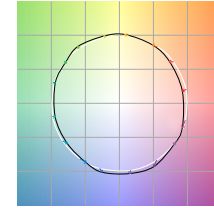
CRI R values



TM30 C Values

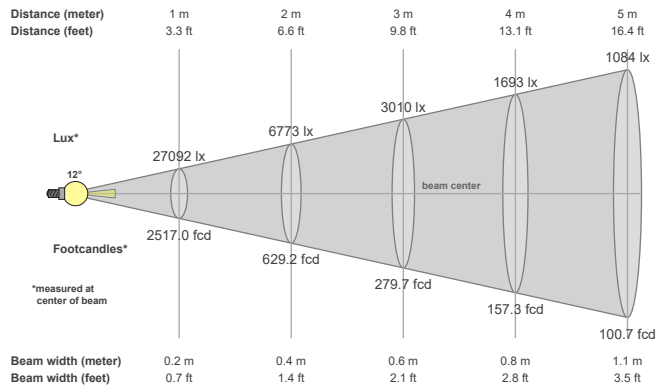


Color vector graphics



Color temperature	Color rendering index	Red component	Color fidelity	Color gamut	Color quality scale	Color coordinate cie 1931	Color coordinate cie 1931	Color coordinate	Color coordinate	Color deviation from black body
CCT	CRI	CRI R9	TM30 Rf	TM30 Rg	CQS	x	y	u	v	Δuv
3000 K	90.0	50.7	89.0	99.5	88.7	0.437	0.404	0.249	0.348	0.0008

Beam details



Beam angles

Beam angle 50%	Field angle 10%	Cutoff angle 2,5%
12°	24.6°	34.2°

Beam intensities

Peak intensity	Int. ratio in 120° cone	Int. ratio in 90° cone
27092 cd	98.8%	96.7%

Beam intensities from 1-20m

1m	2m	3m	4m	5m	6m	7m	8m	9m	10m	11m	12m	13m	14m	15m	16m	17m	18m	19m	20m
3.3ft	6.6ft	9.8ft	13.1ft	16.4ft	19.7ft	23ft	26.2ft	29.5ft	32.8ft	36.1ft	39.4ft	42.7ft	45.9ft	49.2ft	52.5ft	55.8ft	59.1ft	62.3ft	65.6ft
27092lx	6773lx	3010lx	1693lx	1084lx	753lx	553lx	423lx	334lx	271lx	224lx	188lx	160lx	138lx	120lx	106lx	94lx	84lx	75lx	68lx
2517fcd	629.2fcd	279.7fcd	157.3fcd	100.7fcd	69.9fcd	51.4fcd	39.3fcd	31.1fcd	25.2fcd	20.8fcd	17.5fcd	14.9fcd	12.8fcd	11.2fcd	9.8fcd	8.7fcd	7.8fcd	7fcd	6.3fcd

The above information is for 3000K colour temperature, for specific module information please see LED spec located on our website

For information regarding other colour temperatures please use the following factors for lumen output and candelas:

2700K = 1
4000K = 1.084

Light efficiency:

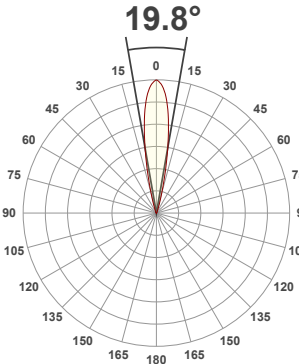
57 Lumen/Watt

Light quality:

CRI: 90.3

Color temperature:

3000 K



Product name:

090+XL-33-LED-SQ - LED71-30-19-700mA

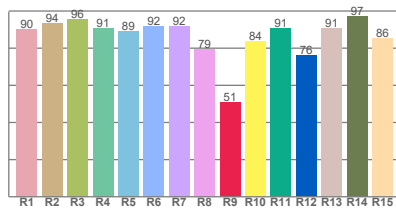
Item number:

Plus XL Square Bevel Fixed - LED71-30-19-700mA

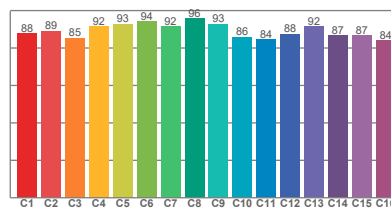
Delivered information for above fixture and LED combination.

Output: 1546 Lumen Peak intensity: 11208 cd Power consumption: 27.0

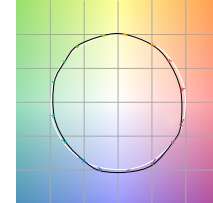
CRI R values



TM30 C Values

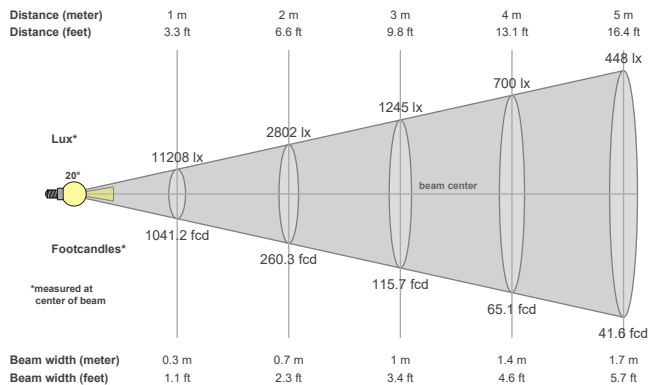


Color vector graphics



Color temperature	Color rendering index	Red component	Color fidelity	Color gamut	Color quality scale	Color coordinate cie 1931	Color coordinate cie 1931	Color coordinate	Color coordinate	Color deviation from black body
CCT	CRI	CRI R9	TM30 Rf	TM30 Rg	CQS	x	y	u	v	Δuv
3000 K	90.3	50.9	89.3	99.1	89.0	0.437	0.404	0.249	0.348	0.0009

Beam details



Beam angles

Beam angle 50%	Field angle 10%	Cutoff angle 2,5%
19.8°	33.4°	45.5°

Beam intensities

Peak intensity	Int. ratio in 120° cone	Int. ratio in 90° cone
11208 cd	99.6%	97.9%

Beam intensities from 1-20m

1m	2m	3m	4m	5m	6m	7m	8m	9m	10m	11m	12m	13m	14m	15m	16m	17m	18m	19m	20m
3.3ft	6.6ft	9.8ft	13.1ft	16.4ft	19.7ft	23ft	26.2ft	29.5ft	32.8ft	36.1ft	39.4ft	42.7ft	45.9ft	49.2ft	52.5ft	55.8ft	59.1ft	62.3ft	65.6ft
11208lx	2802lx	1245lx	700lx	448lx	311lx	229lx	175lx	138lx	112lx	93lx	78lx	66lx	57lx	50lx	44lx	39lx	35lx	31lx	28lx
1041.2fcd	260.3fcd	115.7fcd	65.1fcd	41.6fcd	28.9fcd	21.2fcd	16.3fcd	12.9fcd	10.4fcd	8.6fcd	7.2fcd	6.2fcd	5.3fcd	4.6fcd	4.1fcd	3.6fcd	3.2fcd	2.9fcd	2.6fcd

The above information is for 3000K colour temperature, for specific module information please see LED spec located on our website

For information regarding other colour temperatures please use the following factors for lumen output and candelas:

2700K = 1
4000K = 1.084

Light efficiency:

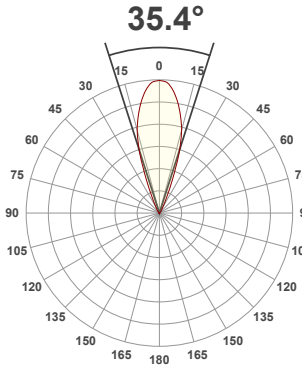
62 Lumen/Watt

Light quality:

CRI: 89.9

Color temperature:

3000 K



Product name:

090+XL-33-LED-SQ - LED71-30-34-700mA

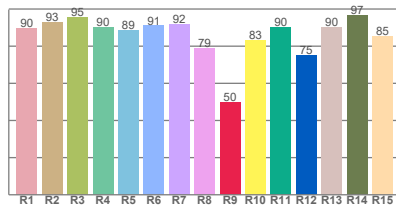
Item number:

Plus XL Square Bevel Fixed - LED71-30-34-700mA

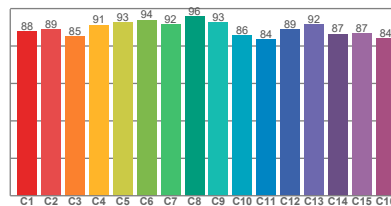
Delivered information for above fixture and LED combination.

Output: 1685 Lumen Peak intensity: 4684 cd Power consumption: 27.0

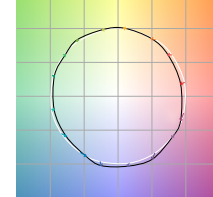
CRI R values



TM30 C Values

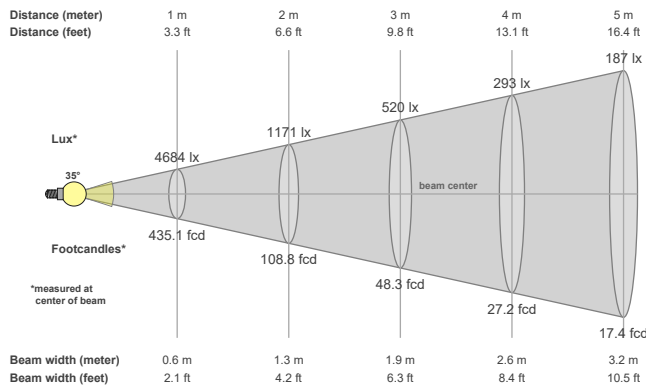


Color vector graphics



Color temperature	Color rendering index	Red component	Color fidelity	Color gamut	Color quality scale	Color coordinate cie 1931	Color coordinate cie 1931	Color coordinate	Color coordinate	Color deviation from black body
CCT	CRI	CRI R9	TM30 Rf	TM30 Rg	CQS	x	y	u	v	Δuv
3000 K	89.9	50.1	89.1	99.2	88.8	0.437	0.404	0.248	0.348	0.0012

Beam details



Beam angels

Beam angle 50%	Field angle 10%	Cutoff angle 2,5%
35.4°	52.8°	76°

Beam intensities

Peak intensity	Int. ratio in 120° cone	Int. ratio in 90° cone
4684 cd	99.6%	97.5%

Beam intensities from 1-20m

1m	2m	3m	4m	5m	6m	7m	8m	9m	10m	11m	12m	13m	14m	15m	16m	17m	18m	19m	20m
3.3ft	6.6ft	9.8ft	13.1ft	16.4ft	19.7ft	23ft	26.2ft	29.5ft	32.8ft	36.1ft	39.4ft	42.7ft	45.9ft	49.2ft	52.5ft	55.8ft	59.1ft	62.3ft	65.6ft
4684lx	1171lx	520lx	293lx	187lx	130lx	96lx	73lx	58lx	47lx	39lx	33lx	28lx	24lx	21lx	18lx	16lx	14lx	13lx	12lx
435.1fc d	108.8fc d	48.3fcd	27.2fcd	17.4fcd	12.1fcd	8.9fcd	6.8fcd	5.4fcd	4.4fcd	3.6fcd	3fcd	2.6fcd	2.2fcd	1.9fcd	1.7fcd	1.5fcd	1.3fcd	1.2fcd	1.1fcd

The above information is for 3000K colour temperature, for specific module information please see LED spec located on our website

For information regarding other colour temperatures please use the following factors for lumen output and candelas:

2700K = 1
4000K = 1.084

Light efficiency:

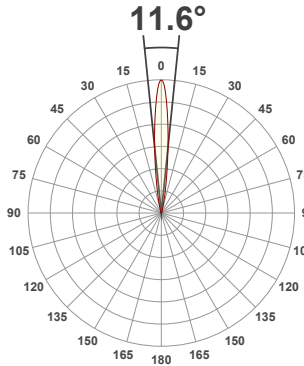
57 Lumen/Watt

Light quality:

CRI: 98.0

Color temperature:

3000 K



Product name:

090+XL-33-LED-SQ - LED71_U-30-12-700mA

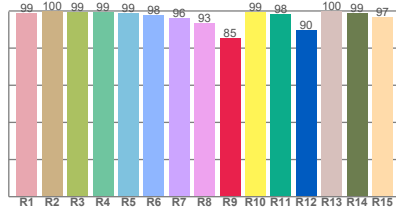
Item number:

PlusXL Square Bevel Fixed - LED71/U-30-12-700mA

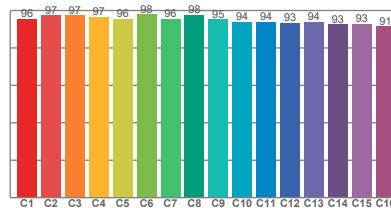
Delivered information for above fixture and LED combination.

Output: 1531 Lumen Peak intensity: 22239 cd Power consumption: 27.0

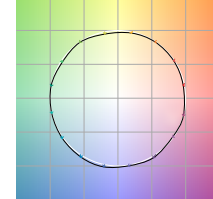
CRI R values



TM30 C Values

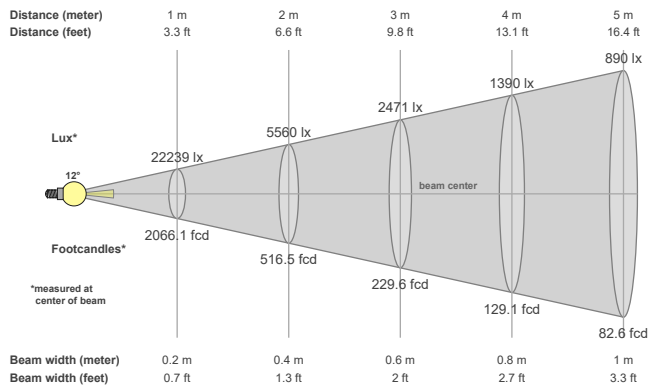


Color vector graphics



Color temperature	Color rendering index	Red component	Color fidelity	Color gamut	Color quality scale	Color coordinate cie 1931	Color coordinate cie 1931	Color coordinate	Color coordinate	Color deviation from black body
CCT	CRI	CRI R9	TM30 Rf	TM30 Rg	CQS	x	y	u	v	Δuv
3000 K	98.0	85.2	95.3	99.6	95.8	0.437	0.404	0.250	0.347	-0.0002

Beam details



Beam angles

Beam angle 50%	Field angle 10%	Cutoff angle 2,5%
11.6°	24.2°	35.6°

Beam intensities

Peak intensity	Int. ratio in 120° cone	Int. ratio in 90° cone
22239 cd	99.8%	97.9%

Beam intensities from 1-20m

1m	2m	3m	4m	5m	6m	7m	8m	9m	10m	11m	12m	13m	14m	15m	16m	17m	18m	19m	20m
3.3ft	6.6ft	9.8ft	13.1ft	16.4ft	19.7ft	23ft	26.2ft	29.5ft	32.8ft	36.1ft	39.4ft	42.7ft	45.9ft	49.2ft	52.5ft	55.8ft	59.1ft	62.3ft	65.6ft
22239lx	5560lx	2471lx	1390lx	890lx	618lx	454lx	347lx	275lx	222lx	184lx	154lx	132lx	113lx	99lx	87lx	77lx	69lx	62lx	56lx
2066.1fcd	516.5fcd	229.6fcd	129.1fcd	82.6fcd	57.4fcd	42.2fcd	32.3fcd	25.5fcd	20.7fcd	17.1fcd	14.3fcd	12.2fcd	10.5fcd	9.2fcd	8.1fcd	7.1fcd	6.4fcd	5.7fcd	5.2fcd

The above information is for 3000K colour temperature, for specific module information please see LED spec located on our website

For information regarding other colour temperatures please use the following factors for lumen output and candelas:

2700K = 1

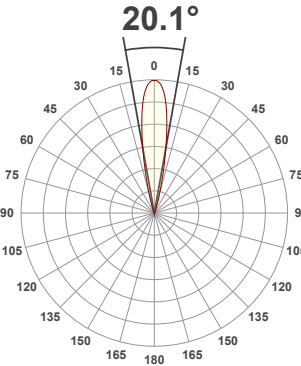
Light efficiency:



Light quality:



Color temperature:



Product name:

090+XL-33-LED-SQ - LED71_U-30-19-700mA

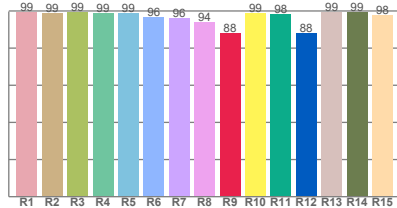
Item number:

PlusXL Square Bevel Fixed - LED71/U-30-19-700mA

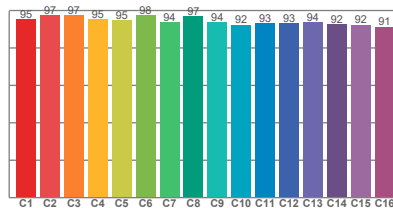
Delivered information for above fixture and LED combination.

Output: 1362 Lumen Peak intensity: 9686 cd Power consumption: 27.0

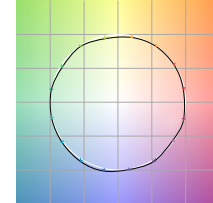
CRI R values



TM30 C Values

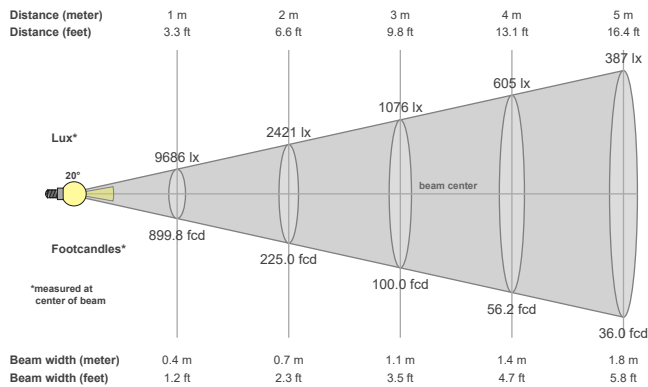


Color vector graphics



Color temperature	Color rendering index	Red component	Color fidelity	Color gamut	Color quality scale	Color coordinate cie 1931	Color coordinate cie 1931	Color coordinate	Color coordinate	Color deviation from black body
CCT	CRI	CRI R9	TM30 Rf	TM30 Rg	CQS	x	y	u	v	Δuv
3000 K	97.7	88.0	94.6	99.4	95.7	0.437	0.404	0.249	0.346	-0.0009

Beam details



Beam angles

Beam angle 50%	Field angle 10%	Cutoff angle 2,5%
20.1°	33.4°	45°

Beam intensities

Peak intensity	Int. ratio in 120° cone	Int. ratio in 90° cone
9686 cd	99.7%	97.9%

Beam intensities from 1-20m

1m	2m	3m	4m	5m	6m	7m	8m	9m	10m	11m	12m	13m	14m	15m	16m	17m	18m	19m	20m
3.3ft	6.6ft	9.8ft	13.1ft	16.4ft	19.7ft	23ft	26.2ft	29.5ft	32.8ft	36.1ft	39.4ft	42.7ft	45.9ft	49.2ft	52.5ft	55.8ft	59.1ft	62.3ft	65.6ft
9686lx	2421lx	1076lx	605lx	387lx	269lx	198lx	151lx	120lx	97lx	80lx	67lx	57lx	49lx	43lx	38lx	34lx	30lx	27lx	24lx
899.8fcd	225fcd	100fcd	56.2fcd	36fcd	25fcd	18.4fcd	14.1fcd	11.1fcd	9fcd	7.4fcd	6.2fcd	5.3fcd	4.6fcd	4fcd	3.5fcd	3.1fcd	2.8fcd	2.5fcd	2.2fcd

The above information is for 3000K colour temperature, for specific module information please see LED spec located on our website

For information regarding other colour temperatures please use the following factors for lumen output and candelas:

2700K = 1

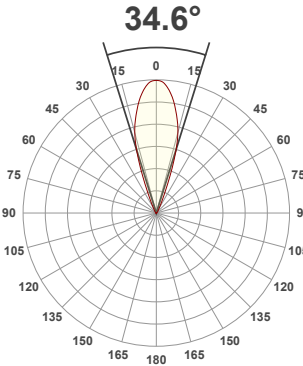
Light efficiency:



Light quality:



Color temperature:



Product name:

090+XL-33-LED-SQ - LED71_U-30-34-700mA

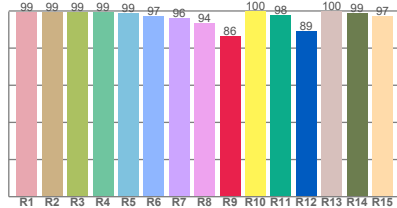
Item number:

PlusXL Square Bevel Fixed - LED71/U-30-34-700mA

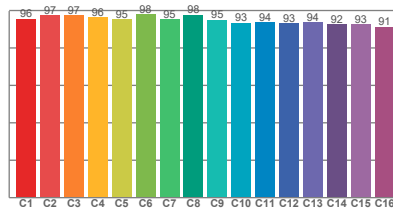
Delivered information for above fixture and LED combination.

Output: 1398 Lumen Peak intensity: 4154 cd Power consumption: 27.0

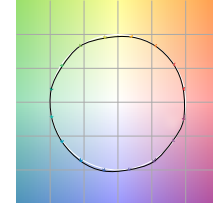
CRI R values



TM30 C Values

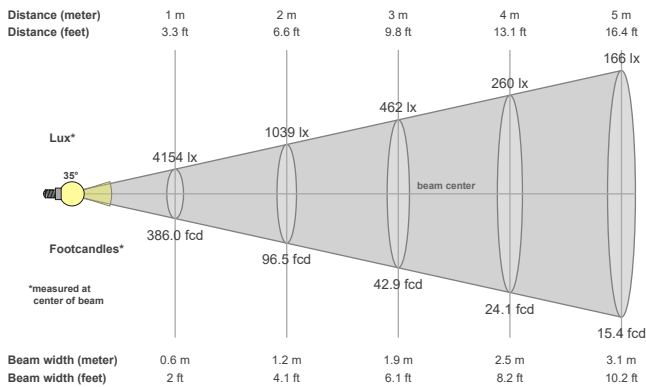


Color vector graphics



Color temperature	Color rendering index	Red component	Color fidelity	Color gamut	Color quality scale	Color coordinate cie 1931	Color coordinate cie 1931	Color coordinate	Color coordinate	Color deviation from black body
CCT	CRI	CRI R9	TM30 Rf	TM30 Rg	CQS	x	y	u	v	Δuv
3000 K	97.9	86.4	95.1	99.8	95.8	0.437	0.404	0.250	0.346	-0.0008

Beam details



Beam angles

Beam angle 50%	Field angle 10%	Cutoff angle 2,5%
34.6°	50.5°	72.9°

Beam intensities

Peak intensity	Int. ratio in 120° cone	Int. ratio in 90° cone
4154 cd	99.7%	97.9%

Beam intensities from 1-20m

1m	2m	3m	4m	5m	6m	7m	8m	9m	10m	11m	12m	13m	14m	15m	16m	17m	18m	19m	20m
3.3ft	6.6ft	9.8ft	13.1ft	16.4ft	19.7ft	23ft	26.2ft	29.5ft	32.8ft	36.1ft	39.4ft	42.7ft	45.9ft	49.2ft	52.5ft	55.8ft	59.1ft	62.3ft	65.6ft
4154lx	1039lx	462lx	260lx	166lx	115lx	85lx	65lx	51lx	42lx	34lx	29lx	25lx	21lx	18lx	16lx	14lx	13lx	12lx	10lx
386fcd	96.5fcd	42.9fcd	24.1fcd	15.4fcd	10.7fcd	7.9fcd	6fcd	4.8fcd	3.9fcd	3.2fcd	2.7fcd	2.3fcd	2fcd	1.7fcd	1.5fcd	1.3fcd	1.2fcd	1.1fcd	1fcd

The above information is for 3000K colour temperature, for specific module information please see LED spec located on our website

For information regarding other colour temperatures please use the following factors for lumen output and candelas:

2700K = 1