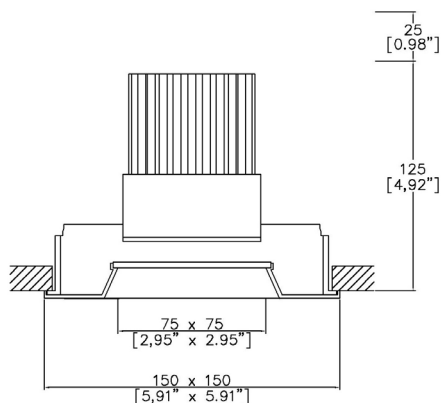


ProSpex Plus XL Square Bevel Fixed Trim



150 x 150mm (5.90" x 5.90") overall trim dimensions. Available with standard trim kit or plaster-in kit for flush appearance. Family of matching products also available. Required depth height + 25mm^



090+XL-33-LED-TR-SQ
Cut-out 142 x 142mm Ø

LED Source	LED71	LED71	LED71
CCT	3000K	3000K	3000K
Drive Current	700mA	700mA	700mA
Power inc Driver	27W	27W	27W
Beam Angle	12°	19°	34°
Delivered Lumens	1736	1697	1764
Delivered Intensisty cd	22011	11718	4689
Efficacy lm/w	64	63	65
Forward Volt	33V	33V	33V
CRI	≥90 CRI	≥90 CRI	≥90 CRI

Project Ref: _____

Location Ref: _____

Fixture Order Code: 090+XL-33-LED-TR-SQ - [] - [] - []

Fixture
090+XL-33-LED-TR-SQ Plus XL Square Bevel Fixed Trim with LED71

Finish
WH White
BK Black
RAL Custom RAL Colour*

IP Rating
44 IP44

Emergency
E Maintained 3hr Emergency
ED Maintained 3hr DALI Self Test
ES Maintained 3hr Self Test



LED Order Code: LED71 - [] - [] - []

LED
LED71 LED70 ONE

CCT
927 90 CRI 2700K
930 90 CRI 3000K
940 90 CRI 4000K

Beam
12 12°
19 19°
34 34°

Protocol
S Non-Dim
A Analogue (0-10v)
P Phase
D DALI
B Bluetooth**



Honeycomb Louvre



Diffusing Lens



Frosted Lens



Heavy Spread Lens



Linear Spread Lens



Warm Tone

Accessories Order Code:

Louvre/Lens

- MD45 Honeycomb Louvre
- MDCC Warm Tone Lens
- MDUV UV Lens
- MDDF Diffusing Lens
- MDFR Frosted Lens
- MDLS Linear Spread Lens
- MDHS Heavy Spread Lens

Technical Details

*Custom RAL code must be specified. Custom RAL colours can increase prices and lead times

Dimming. Whilst Lucent can offer the majority of its luminaires with various dimming options, it remains the responsibility of the specifier/installer to check and ensure compatibility of any control equipment used. Additional cabling may be required depending on the dimming protocol specified.

**Bluetooth (wireless) is the communication method. The exact dimming protocol must be confirmed to allow the selection of suitable drivers or bluetooth devices.

^ Depth indicated is the minimum recess depth for the luminaire with a remote mounted LED driver. Installing a driver through either the luminaire cut-out or installation kit may require additional recess depth, please refer to the relevant luminaire installation instructions for further details. Data correct at time of publishing

First Fix Requirement. Luminaire comprised of fixture body with ceiling trim and installation kit, which is to be fitted into the ceiling once finished. Ensure correct alignment of the installation kit before final assembly (see luminaire installation instructions for details)

IP Rating. Tested from underside of the ceiling

It is the policy of Lucent Lighting to continually review and improve its products and therefore reserve the right to change any details of product or withdraw specifications without prior notice.

Luminaires designed to comply with EN60598 and all other standards.

This specification sheet superseded all previous versions.

All intellectual property rights pertaining to the product described above and to this document are owned by or licensed to Lucent Lighting Ltd.

We reserve the right to take whatever action is necessary to protect those intellectual property rights.

Please notify Lucent Lighting Ltd of any inaccuracies immediately. E&OE

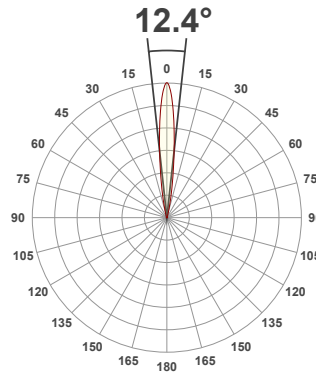
Light efficiency:



Light quality:



Color temperature:



Product name:

090+XL-LED-SQ - LED71-30-12-700mA

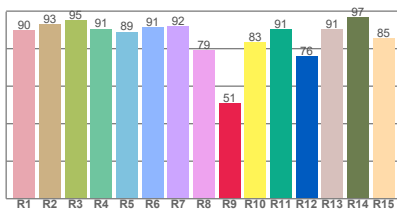
Item number:

Plus XL Pyramidal Fixed - LED71-30-12-700mA

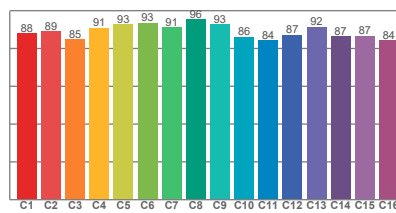
Delivered information for above fixture and LED combination.

Output: 1736 Lumen Peak intensity: 22011 cd Power consumption: 27.0

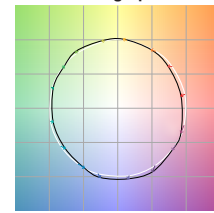
CRI R values



TM30 C Values

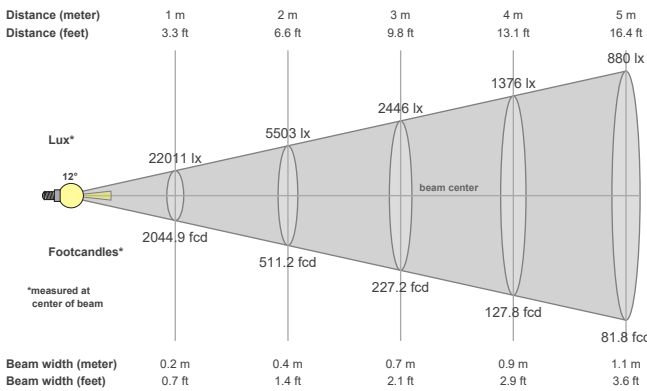


Color vector graphics



Color temperature	Color rendering index	Red component	Color fidelity	Color gamut	Color quality scale	Color coordinate cie 1931	Color coordinate cie 1931	Color coordinate	Color coordinate	Color deviation from black body
CCT	CRI	CRI R9	TM30 Rf	TM30 Rg	CQS	x	y	u	v	Δuv
3000 K	90.1	50.8	89.1	99.4	88.8	0.437	0.404	0.249	0.348	0.0009

Beam details



Beam angels

Beam angle 50%	Field angle 10%	Cutoff angle 2,5%
12.4°	25°	36°

Beam intensities

Peak intensity	Int. ratio in 120° cone	Int. ratio in 90° cone
22011 cd	98.9%	94.2%

Beam intensities from 1-20m

1m	2m	3m	4m	5m	6m	7m	8m	9m	10m	11m	12m	13m	14m	15m	16m	17m	18m	19m	20m
3.3ft	6.6ft	9.8ft	13.1ft	16.4ft	19.7ft	23ft	26.2ft	29.5ft	32.8ft	36.1ft	39.4ft	42.7ft	45.9ft	49.2ft	52.5ft	55.8ft	59.1ft	62.3ft	65.6ft
22011lx	5503lx	2446lx	1376lx	880lx	611lx	449lx	344lx	272lx	220lx	182lx	153lx	130lx	112lx	98lx	86lx	76lx	68lx	61lx	55lx
2044.9fcd	511.2fcd	227.2fcd	127.8fcd	81.8fcd	56.8fcd	41.7fcd	32fcd	25.2fcd	20.4fcd	16.9fcd	14.2fcd	12.1fcd	10.4fcd	9.1fcd	8fcd	7.1fcd	6.3fcd	5.7fcd	5.1fcd

The above information is for 3000K colour temperature, for specific module information please see LED spec located on our website

For information regarding other colour temperatures please use the following factors for lumen output and candelas:

2700K = 1
4000K = 1.084

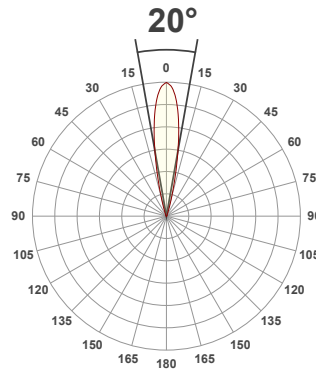
Light efficiency:



Light quality:



Color temperature:



Product name:

090+XL-LED-SQ - LED71-30-19-700mA

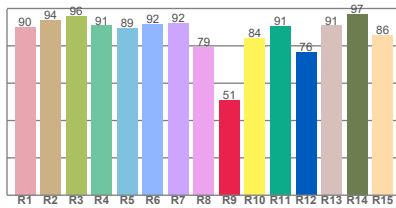
Item number:

Plus XL Pyramidal Fixed - LED71-30-19-700mA

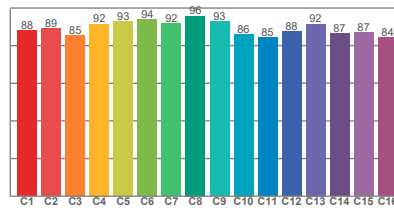
Delivered information for above fixture and LED combination.

Output: 1697 Lumen Peak intensity: 11718 cd Power consumption: 27.0

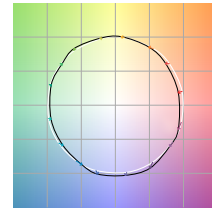
CRI R values



TM30 C Values

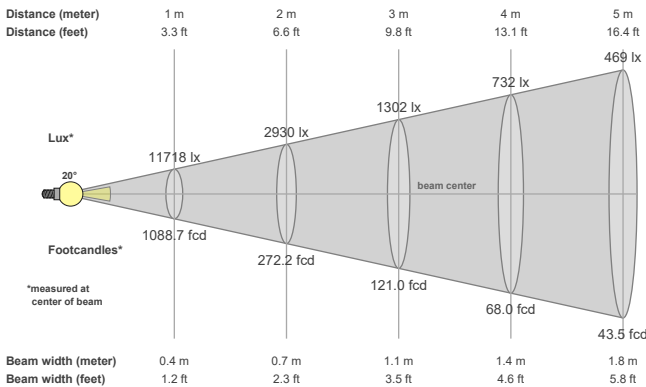


Color vector graphics



Color temperature	Color rendering index	Red component	Color fidelity	Color gamut	Color quality scale	Color coordinate cie 1931	Color coordinate cie 1931	Color coordinate	Color coordinate	Color deviation from black body
CCT	CRI	CRI R9	TM30 Rf	TM30 Rg	CQS	x	y	u	v	Δuv
3000 K	90.3	51.1	89.3	99.2	89.0	0.437	0.404	0.249	0.348	0.0009

Beam details



Beam angles

Beam angle 50%	Field angle 10%	Cutoff angle 2,5%
20°	33.5°	45.4°

Beam intensities

Peak intensity	Int. ratio in 120° cone	Int. ratio in 90° cone
11718 cd	99.0%	95.2%

Beam intensities from 1-20m

1m	2m	3m	4m	5m	6m	7m	8m	9m	10m	11m	12m	13m	14m	15m	16m	17m	18m	19m	20m
3.3ft	6.6ft	9.8ft	13.1ft	16.4ft	19.7ft	23ft	26.2ft	29.5ft	32.8ft	36.1ft	39.4ft	42.7ft	45.9ft	49.2ft	52.5ft	55.8ft	59.1ft	62.3ft	65.6ft
11718lx	2930lx	1302lx	732lx	469lx	326lx	239lx	183lx	145lx	117lx	97lx	81lx	69lx	60lx	52lx	46lx	41lx	36lx	32lx	29lx
1088.7fcd	272.2fcd	121fcd	68fcd	43.5fcd	30.2fcd	22.2fcd	17fcd	13.4fcd	10.9fcd	9fcd	7.6fcd	6.4fcd	5.6fcd	4.8fcd	4.3fcd	3.8fcd	3.4fcd	3fcd	2.7fcd

The above information is for 3000K colour temperature, for specific module information please see LED spec located on our website

For information regarding other colour temperatures please use the following factors for lumen output and candelas:

2700K = 1
4000K = 1.084

Light efficiency:

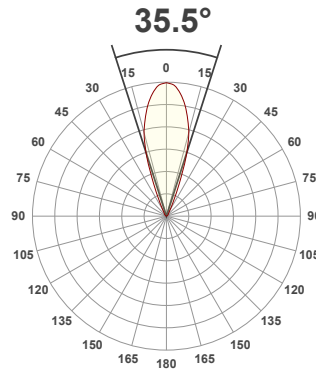
65 Lumen/Watt

Light quality:

CRI: 89.9

Color temperature:

3000 K



Product name:

**090+XL-LED-SQ -
LED71-30-34-700mA**

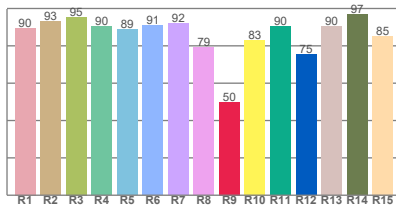
Item number:

**Plus XL Pyramidal Fixed -
LED71-30-34-700mA**

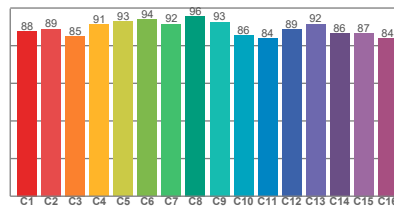
**Delivered information for above
fixture and LED combination.**

Output: 1764 Lumen Peak intensity: 4689 cd Power consumption: 27.0

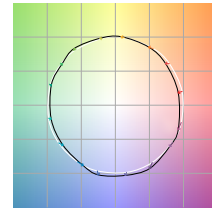
CRI R values



TM30 C Values

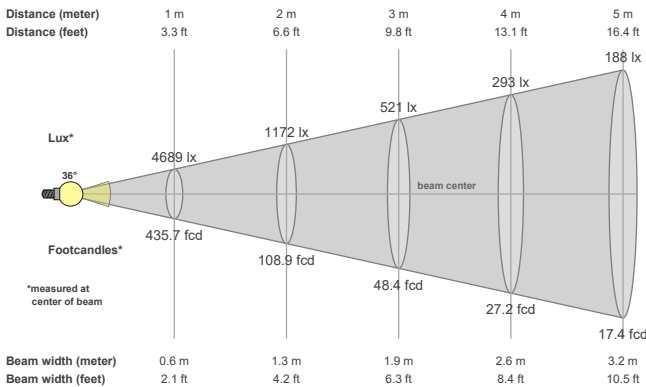


Color vector graphics



Color temperature	Color rendering index	Red component	Color fidelity	Color gamut	Color quality scale	Color coordinate cie 1931	Color coordinate cie 1931	Color coordinate	Color coordinate	Color deviation from black body
CCT	CRI	CRI R9	TM30 Rf	TM30 Rg	CQS	x	y	u	v	Δuv
3000 K	89.9	50.0	89.1	99.2	88.8	0.437	0.404	0.248	0.348	0.0012

Beam details



Beam angles

Beam angle 50%	Field angle 10%	Cutoff angle 2,5%
35.5°	53.1°	78.7°

Beam intensities

Peak intensity	Int. ratio in 120° cone	Int. ratio in 90° cone
4689 cd	98.9%	94.5%

Beam intensities from 1-20m

1m	2m	3m	4m	5m	6m	7m	8m	9m	10m	11m	12m	13m	14m	15m	16m	17m	18m	19m	20m
3.3ft	6.6ft	9.8ft	13.1ft	16.4ft	19.7ft	23ft	26.2ft	29.5ft	32.8ft	36.1ft	39.4ft	42.7ft	45.9ft	49.2ft	52.5ft	55.8ft	59.1ft	62.3ft	65.6ft
4689lx	1172lx	521lx	293lx	188lx	130lx	96lx	73lx	58lx	47lx	39lx	33lx	28lx	24lx	21lx	18lx	16lx	14lx	13lx	12lx
435.7fcd	108.9fcd	48.4fcd	27.2fcd	17.4fcd	12.1fcd	8.9fcd	6.8fcd	5.4fcd	4.4fcd	3.6fcd	3fcd	2.6fcd	2.2fcd	1.9fcd	1.7fcd	1.5fcd	1.3fcd	1.2fcd	1.1fcd

The above information is for 3000K colour temperature, for specific module information please see LED spec located on our website

For information regarding other colour temperatures please use the following factors for lumen output and candelas:

2700K = 1
4000K = 1.084