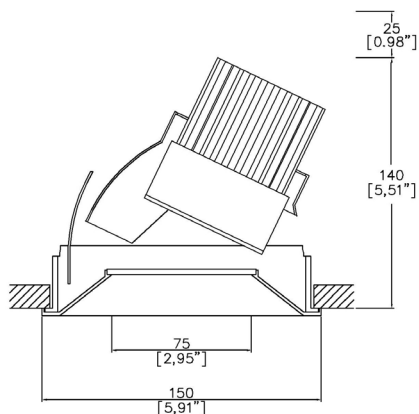


# Plus5 XL Conical Accent



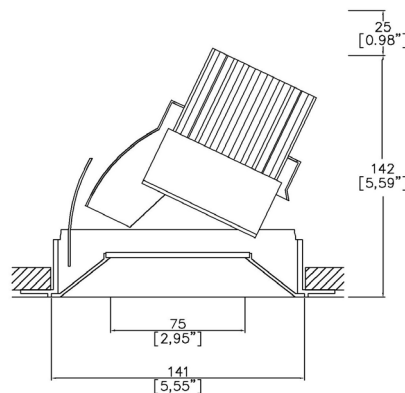
Plus provides high performance electronics and architectural aesthetics in round and square 3.5" and 5" trim. Plus products include adjustable, fixed and wallwash in a flanged or trimless installation kit. Adjustable can be provided with gear driven adjustment or manual adjustment. Available in various front plates (Conical, Bevel, Edge, Pyramidal and Square Bevel) Bevel and Square Bevel available with various color inserts. Tray, retrofit and housing installation methods (NIC, IC, AT, T24 and CCEA) Multiple configurations for equal spacing also available. Lucent modules available in a wide range of color temperatures, beam angles, intensities, and effects (Ambiance WarmDim and Dynamic Tuneable White). TRIAC/Phase, 0-10v/1-10v, DMX and DALI/Digital dimming.



A093+XL-LED-TR  
360° rotation. Up to 45° tilt.  
Cut-out 146mm Ø  
(5.75" Ø)



**Installation kit for overlap flange**



A093+XL-LED-TL  
360° rotation. Up to 45° tilt.  
Cut-out 146mm Ø  
(5.75" Ø)



**Mud-in kit for seamless/trimless**

LED Source	LED71	LED71	LED71	LED71/U	LED71/U	LED71/U
CCT	3000K	3000K	3000K	3000K	3000K	3000K
Drive Current	700mA	700mA	700mA	700mA	700mA	700mA
Power inc Driver	27W	27W	27W	27W	27W	27W
Beam Angle	12°	19°	34°	12°	19°	34°
Delivered Lumens	1874	1434	1640	1491	1316	1367
Delivered Intensity cd	25141	10199	4444	19417	9381	3988
Efficacy lm/w	69	53	61	55	49	51
Forward Volt	33V	33V	33V	33V	33V	33V
CRI	≥90 CRI	≥90 CRI	≥90 CRI	≥98 CRI	≥98 CRI	≥98 CRI

Project Ref: \_\_\_\_\_

Location Ref: \_\_\_\_\_

Specify fixture part number (All boxes must be filled in to correctly order)

A093+XL-LED													
-------------	--	--	--	--	--	--	--	--	--	--	--	--	--

**Installation**

- TR Flange kit
- TL Mud-in kit

**Finish**

- WH White
- BK Black
- RAL Custom\*

**Location**

- XX Dry
- DP Damp

**Ceiling Thickness**

- SC Standard Ceiling (1/2"-5/8"-3/4")
- C Custom

**LED Type**

- LED71 LED71 (90CRI)
- LED71/U LED71/U (98CRI)

**CCT**

- 27 2700K
- 30 3000K
- 35 3500K
- 40 4000K (90 CRI ONLY)

**Beam Angles**

- 12 12
- 19 19
- 34 34

**Housing/Tray**

- LMT-15-NIC Mounting Tray Non-Insulated ceilings
- LH-8.50-NIC Housing 8.50" Non-Insulated ceilings
- LH-11.25-AT/IC Housing 11.25" Insulated/Air-tight ceilings and Chicago Plenum

**Mounting Hardware**

- 09 9" to 15.25" - Adjustable Bar Hanger Lengths
- 14 14" to 24" - Adjustable Bar Hanger Lengths
- 36 28" to 36" - Adjustable Bar Hanger Lengths
- BB Butterfly Bracket
- CB Caterpillar Bracket

**Supply Voltage**

- 120 120V
- 277 277V

**Dimming Protocol**

- S Non-Dimmable
- P TRIAC/Phase (120V ONLY) (25-10% Minimum Dimming)\*\*\*
- LP Lutron Forward Phase 2-Wire (1% Dimming) (120V ONLY)
- ESS EcoSystem 5-Series (5% Dimming)
- LHE EcoSystem Hi-Lume Fade to Black (1% Dimming)
- LAE Lutron 3-Wire Hi-Lume (1% Dimming)
- LHP Lutron Hi-Lume Premier EcoSystem (0.1% Dimming)
- A 0-10V (15-5% Minimum Dimming)\*\*\*
- ESD EldoLED Solo DALI2 (0.1% Dimming)
- EED EldoLED Eco DALI2 (1% Dimming)
- ESA EldoLED Solo 0-10V/1-10V (0.1% Dimming)
- EEA EldoLED Eco 0-10V/1-10V (1% Dimming)
- B Bluetooth\*\*

**Emergency**

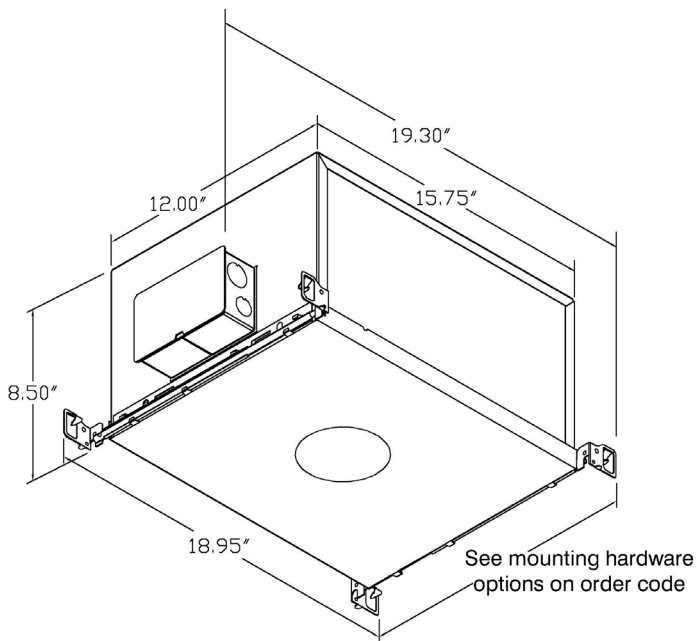
- E 3hr Emergency
- ES 3hr Self Test

**Louvre/Lens**

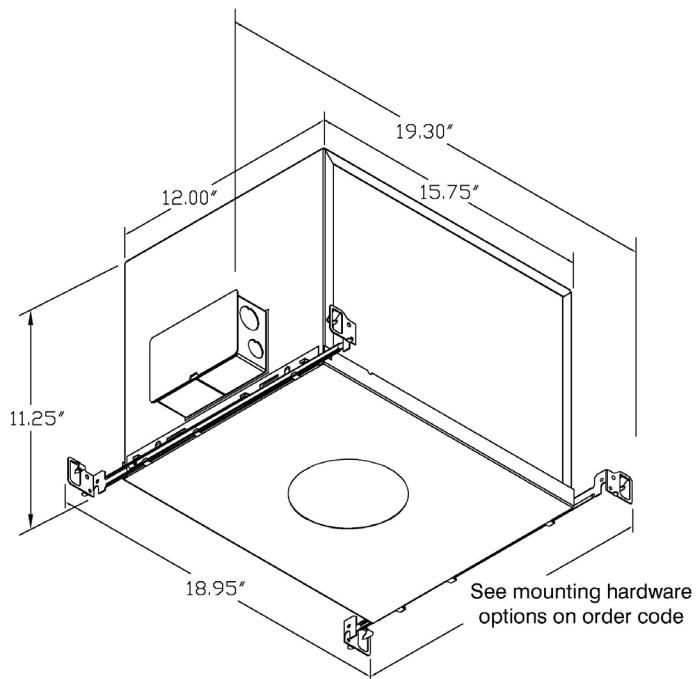
- XX Not required
- MD45 Honeycomb
- MDUV UV
- MDDF Solite/Diffusing
- MDFR Frosted Lens
- MDLS Linear Spread
- MDHS Heavy Spread

\*Refer to Technical Details for more information

## Housing dimensions

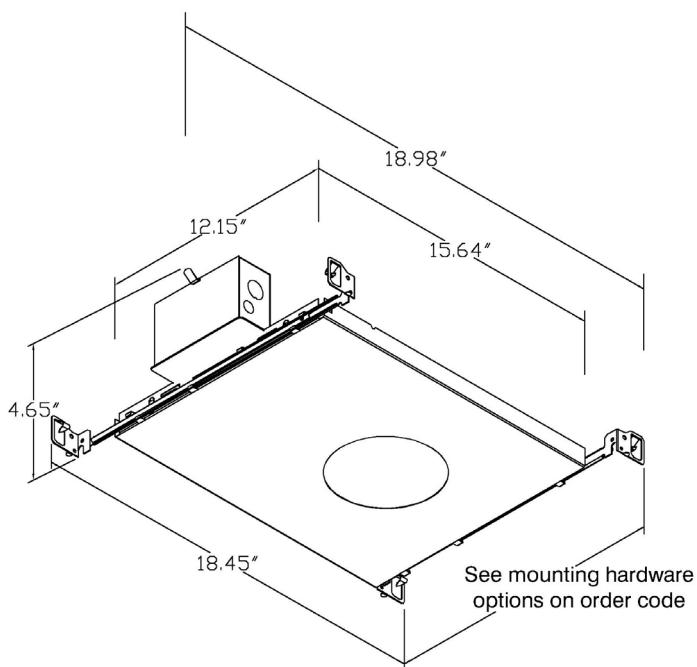


LH-8.50  
Non-insulated ceiling

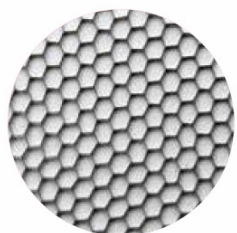


LH-11.25  
Insulated/air-tight ceilings and  
Chicago Plenum

## Tray dimensions



LMT-15  
Non-insulated ceilings



**Honeycomb Louvre (MD45)**



**Solite/Diffusing Lens (MDDF)**



**Frosted Lens (MDFR)**



**Heavy Spread Lens (MDHS)**



**Linear Spread Lens (MDLS)**

---

## Technical Details

\*Custom color requires a paint chip or RAL code and may increase price and lead-time

It is the responsibility of the specifier/integrator/installer to check and ensure compatibility of any control equipment used. Additional cabling may be required depending on the dimming protocol specified.

\*\*Bluetooth (wireless) is a communication protocol. The exact dimming protocol must be confirmed to allow the selection of suitable drivers or Bluetooth devices.

\*\*\*Non specific driver type, dimming performance depending on exact driver used. Contact Lucent Lighting for more information.

^ Depth indicated is the minimum recess depth for the luminaire with a remote mounted LED driver. Installing a driver through either the luminaire cut-out or installation kit may require additional recess depth, please refer to the relevant installation instructions prior to purchase.

First Fix Requirement. Luminaire comprised of fixture body with ceiling trim and installation kit, which is to be fitted into the ceiling once finished. Ensure correct alignment of the installation kit before final assembly (see luminaire installation instructions for details)

Location. Tested from underside of the ceiling.

Data correct at time of publishing. It is the policy of Lucent Lighting to continually review and improve its products and therefore reserve the right to change any details of product or withdraw specifications without prior notice.

This specification sheet supersedes all previous versions.

All intellectual property rights pertaining to the product described above and to this document are owned by or licensed to Lucent Lighting, Incorporated. Lucent Lighting reserves the right to take whatever action is necessary to protect its intellectual property, patents and trademarks

Please notify Lucent Lighting Inc. inaccuracies. E&OE

---



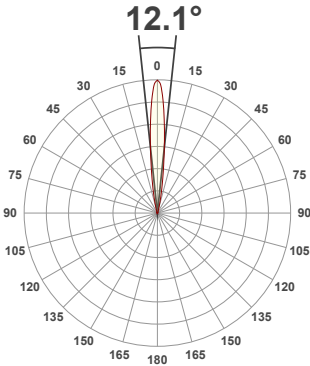
**Light efficiency:**



**Light quality:**



**Color temperature:**



**Product name:**

**093+XL-LED - LED71-30-12-700mA**

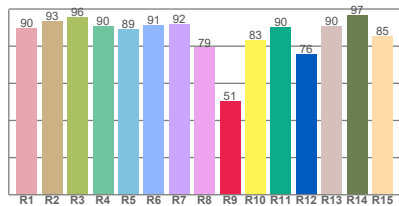
**Item number:**

**Plus XL Conical Accent - LED71-30-12-700mA**

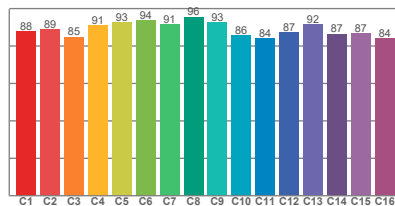
**Delivered information for above fixture and LED combination.**

**Output: 1874 Lumen Peak intensity: 25141 cd Power consumption: 27.0**

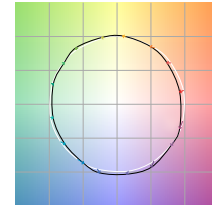
**CRI R values**



**TM30 C Values**

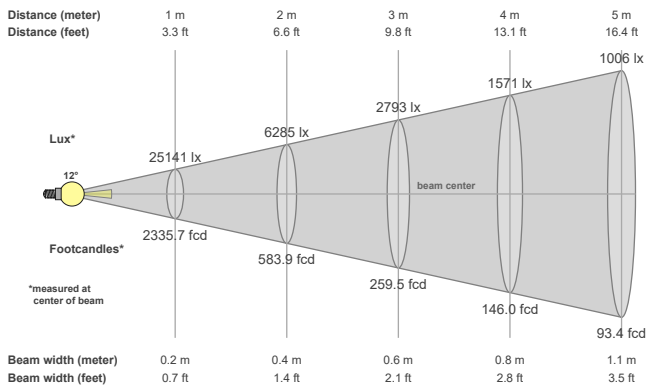


**Color vector graphics**



Color temperature	Color rendering index	Red component	Color fidelity	Color gamut	Color quality scale	Color coordinate cie 1931	Color coordinate cie 1931	Color coordinate	Color coordinate	Color deviation from black body
CCT	CRI	CRI R9	TM30 Rf	TM30 Rg	CQS	x	y	u	v	Δuv
3000 K	90.0	50.6	89.1	99.3	88.7	0.437	0.404	0.249	0.348	0.0008

**Beam details**



**Beam angles**

Beam angle 50%	Field angle 10%	Cutoff angle 2,5%
12.1°	25.2°	37.1°

**Beam intensities**

Peak intensity	Int. ratio in 120° cone	Int. ratio in 90° cone
25141 cd	99.5%	97.0%

**Beam intensities from 1-20m**

1m	2m	3m	4m	5m	6m	7m	8m	9m	10m	11m	12m	13m	14m	15m	16m	17m	18m	19m	20m
3.3ft	6.6ft	9.8ft	13.1ft	16.4ft	19.7ft	23ft	26.2ft	29.5ft	32.8ft	36.1ft	39.4ft	42.7ft	45.9ft	49.2ft	52.5ft	55.8ft	59.1ft	62.3ft	65.6ft
25141lx	6285lx	2793lx	1571lx	1006lx	698lx	513lx	393lx	310lx	251lx	208lx	175lx	149lx	128lx	112lx	98lx	87lx	78lx	70lx	63lx
2335.7fcd	583.9fcd	259.5fcd	146fcd	93.4fcd	64.9fcd	47.7fcd	36.5fcd	28.8fcd	23.4fcd	19.3fcd	16.2fcd	13.8fcd	11.9fcd	10.4fcd	9.1fcd	8.1fcd	7.2fcd	6.5fcd	5.8fcd

The above information is for 3000K colour temperature, for specific module information please see LED spec located on our website

For information regarding other colour temperatures please use the following factors for lumen output and candelas:

2700K = 1  
4000K = 1.084

Light efficiency:

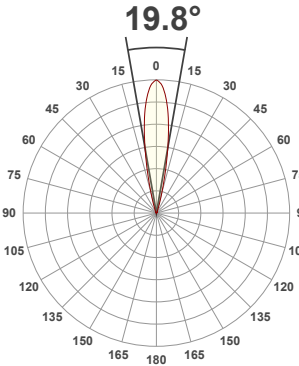
**53 Lumen/Watt**

Light quality:

**CRI: 90.3**

Color temperature:

**3000 K**



Product name:

**093+XL-LED - LED71-30-19-700mA**

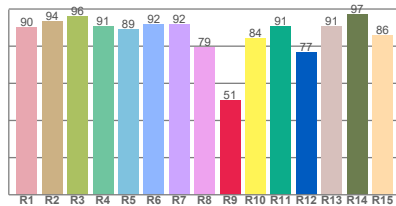
Item number:

**Plus XL Conical Accent - LED71-30-19-700mA**

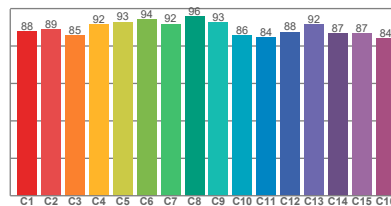
Delivered information for above fixture and LED combination.

Output: 1434 Lumen Peak intensity: 10199 cd Power consumption: 27.0

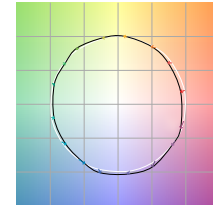
CRI R values



TM30 C Values

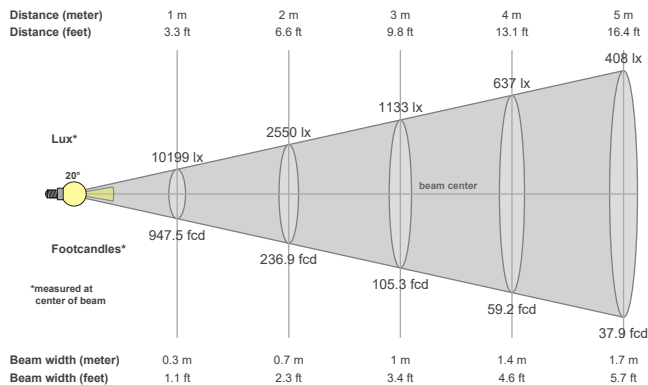


Color vector graphics



Color temperature	Color rendering index	Red component	Color fidelity	Color gamut	Color quality scale	Color coordinate cie 1931	Color coordinate cie 1931	Color coordinate	Color coordinate	Color deviation from black body
CCT	CRI	CRI R9	TM30 Rf	TM30 Rg	CQS	x	y	u	v	Δuv
3000 K	90.3	51.1	89.3	99.1	89.0	0.437	0.404	0.249	0.348	0.0008

## Beam details



## Beam angels

Beam angle 50%	Field angle 10%	Cutoff angle 2,5%
19.8°	33.5°	45.5°

## Beam intensities

Peak intensity	Int. ratio in 120° cone	Int. ratio in 90° cone
10199 cd	99.3%	97.2%

## Beam intensities from 1-20m

1m	2m	3m	4m	5m	6m	7m	8m	9m	10m	11m	12m	13m	14m	15m	16m	17m	18m	19m	20m
3.3ft	6.6ft	9.8ft	13.1ft	16.4ft	19.7ft	23ft	26.2ft	29.5ft	32.8ft	36.1ft	39.4ft	42.7ft	45.9ft	49.2ft	52.5ft	55.8ft	59.1ft	62.3ft	65.6ft
10199lx	2550lx	1133lx	637lx	408lx	283lx	208lx	159lx	126lx	102lx	84lx	71lx	60lx	52lx	45lx	40lx	35lx	31lx	28lx	25lx
947.5fcd	236.9fcd	105.3fcd	59.2fcd	37.9fcd	26.3fcd	19.3fcd	14.8fcd	11.7fcd	9.5fcd	7.8fcd	6.6fcd	5.6fcd	4.8fcd	4.2fcd	3.7fcd	3.3fcd	2.9fcd	2.6fcd	2.4fcd

The above information is for 3000K colour temperature, for specific module information please see LED spec located on our website

For information regarding other colour temperatures please use the following factors for lumen output and candelas:

2700K = 1

4000K = 1.084

## Light efficiency:

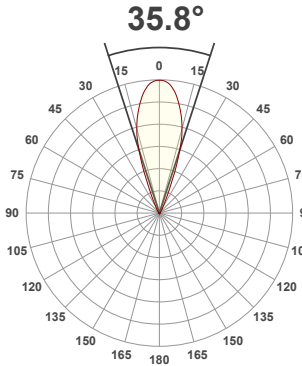
**61 Lumen/Watt**

## Light quality:

**CRI: 90.0**

## Color temperature:

**3000 K**



## Product name:

**093+XL-LED - LED71-30-34-700mA**

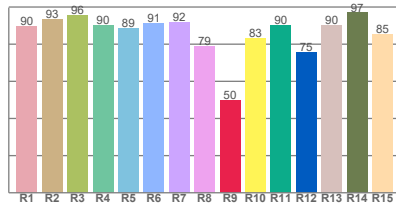
## Item number:

**Plus XL Conical Accent - LED71-30-34-700mA**

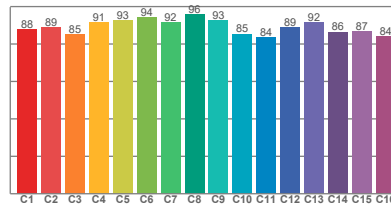
**Delivered information for above fixture and LED combination.**

**Output: 1640 Lumen Peak intensity: 4444 cd Power consumption: 27.0**

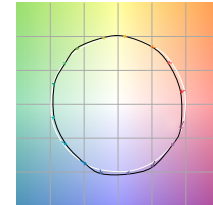
### CRI R values



### TM30 C Values

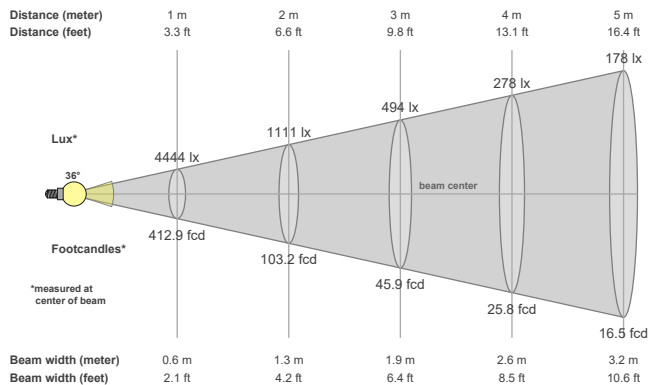


### Color vector graphics



Color temperature	Color rendering index	Red component	Color fidelity	Color gamut	Color quality scale	Color coordinate cie 1931	Color coordinate cie 1931	Color coordinate	Color coordinate	Color deviation from black body
CCT	CRI	CRI R9	TM30 Rf	TM30 Rg	CQS	x	y	u	v	Δuv
3000 K	90.0	49.9	89.1	99.1	88.7	0.437	0.404	0.248	0.348	0.0010

### Beam details



### Beam angels

Beam angle 50%	Field angle 10%	Cutoff angle 2,5%
35.8°	52.3°	78°

### Beam intensities

Peak intensity	Int. ratio in 120° cone	Int. ratio in 90° cone
4444 cd	99.4%	96.8%

### Beam intensities from 1-20m

1m	2m	3m	4m	5m	6m	7m	8m	9m	10m	11m	12m	13m	14m	15m	16m	17m	18m	19m	20m
3.3ft	6.6ft	9.8ft	13.1ft	16.4ft	19.7ft	23ft	26.2ft	29.5ft	32.8ft	36.1ft	39.4ft	42.7ft	45.9ft	49.2ft	52.5ft	55.8ft	59.1ft	62.3ft	65.6ft
4444lx	1111lx	494lx	278lx	178lx	123lx	91lx	69lx	55lx	44lx	37lx	31lx	26lx	23lx	20lx	17lx	15lx	14lx	12lx	11lx
412.9fcd	103.2fcd	45.9fcd	25.8fcd	16.5fcd	11.5fcd	8.4fcd	6.5fcd	5.1fcd	4.1fcd	3.4fcd	2.9fcd	2.4fcd	2.1fcd	1.8fcd	1.6fcd	1.4fcd	1.3fcd	1.1fcd	1fcd

The above information is for 3000K colour temperature, for specific module information please see LED spec located on our website

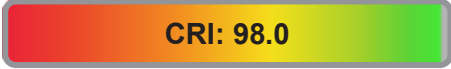
For information regarding other colour temperatures please use the following factors for lumen output and candelas:

2700K = 1  
4000K = 1.084

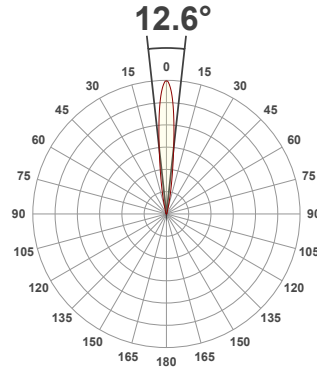
**Light efficiency:**



**Light quality:**



**Color temperature:**



**Product name:**

**093+XL-LED - LED71\_U-30-12-700mA**

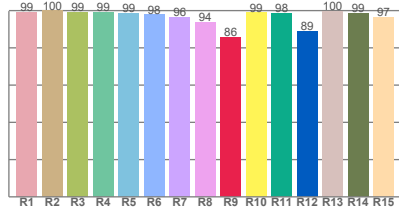
**Item number:**

**Plus XL Conical Accent - LED71/U-30-12-700mA**

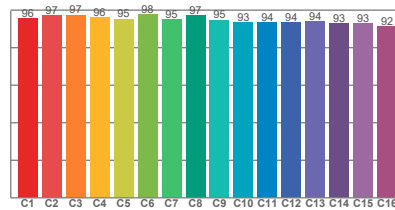
**Delivered information for above fixture and LED combination.**

**Output: 1491 Lumen Peak intensity: 19417 cd Power consumption: 27.0**

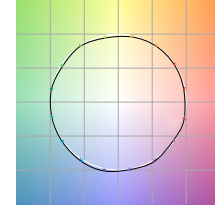
**CRI R values**



**TM30 C Values**

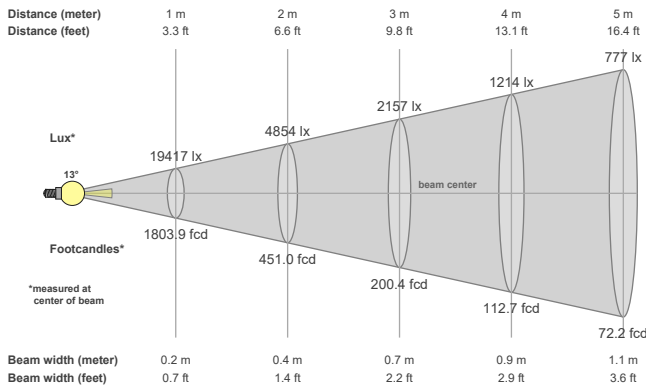


**Color vector graphics**



Color temperature	Color rendering index	Red component	Color fidelity	Color gamut	Color quality scale	Color coordinate cie 1931	Color coordinate cie 1931	Color coordinate	Color coordinate	Color deviation from black body
CCT	CRI	CRI R9	TM30 Rf	TM30 Rg	CQS	x	y	u	v	Δuv
3000 K	98.0	85.8	95.1	99.4	95.8	0.437	0.404	0.249	0.347	0.0002

**Beam details**



**Beam angles**

Beam angle 50%	Field angle 10%	Cutoff angle 2,5%
12.6°	25.1°	37°

**Beam intensities**

Peak intensity	Int. ratio in 120° cone	Int. ratio in 90° cone
19417 cd	99.7%	97.0%

**Beam intensities from 1-20m**

1m	2m	3m	4m	5m	6m	7m	8m	9m	10m	11m	12m	13m	14m	15m	16m	17m	18m	19m	20m
3.3ft	6.6ft	9.8ft	13.1ft	16.4ft	19.7ft	23ft	26.2ft	29.5ft	32.8ft	36.1ft	39.4ft	42.7ft	45.9ft	49.2ft	52.5ft	55.8ft	59.1ft	62.3ft	65.6ft
19417lx	4854lx	2157lx	1214lx	777lx	539lx	396lx	303lx	240lx	194lx	160lx	135lx	115lx	99lx	86lx	76lx	67lx	60lx	54lx	49lx
1803.9fcd	451fcd	200.4fcd	112.7fcd	72.2fcd	50.1fcd	36.8fcd	28.2fcd	22.3fcd	18fcd	14.9fcd	12.5fcd	10.7fcd	9.2fcd	8fcd	7fcd	6.2fcd	5.6fcd	5fcd	4.5fcd

The above information is for 3000K colour temperature, for specific module information please see LED spec located on our website

For information regarding other colour temperatures please use the following factors for lumen output and candelas:

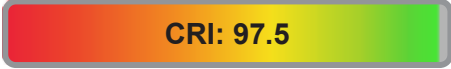
2700K = 1



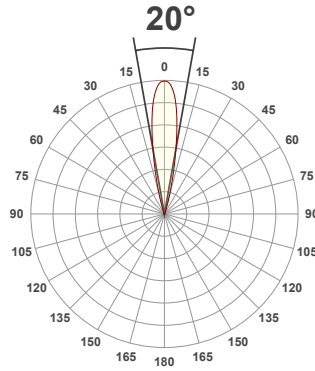
**Light efficiency:**



**Light quality:**



**Color temperature:**



**Product name:**

**093+XL-LED - LED71\_U-30-19-700mA**

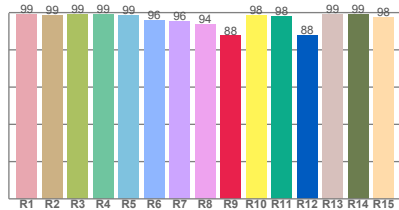
**Item number:**

**Plus XL Conical Accent - LED71/U-30-19-700mA**

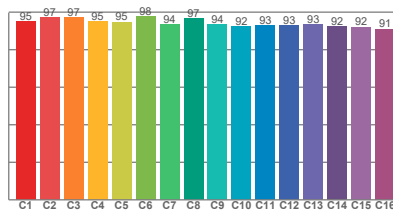
**Delivered information for above fixture and LED combination.**

**Output: 1316 Lumen Peak intensity: 9381 cd Power consumption: 27.0**

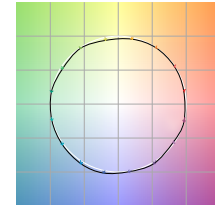
**CRI R values**



**TM30 C Values**

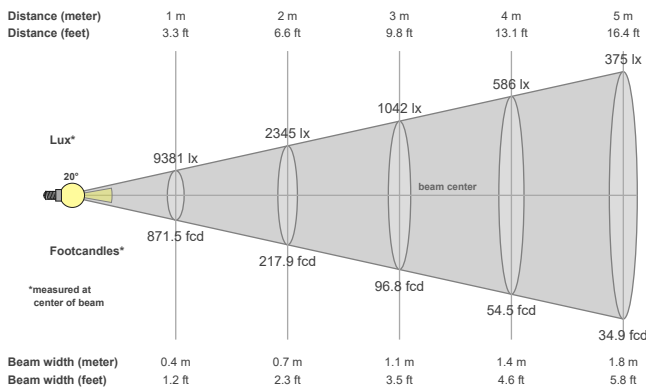


**Color vector graphics**



Color temperature	Color rendering index	Red component	Color fidelity	Color gamut	Color quality scale	Color coordinate cie 1931	Color coordinate cie 1931	Color coordinate	Color coordinate	Color deviation from black body
CCT	CRI	CRI R9	TM30 Rf	TM30 Rg	CQS	x	y	u	v	Δuv
3000 K	97.5	87.6	94.5	99.4	95.6	0.437	0.404	0.249	0.346	-0.0012

**Beam details**



**Beam angles**

Beam angle 50%	Field angle 10%	Cutoff angle 2,5%
20°	33.2°	44.4°

**Beam intensities**

Peak intensity	Int. ratio in 120° cone	Int. ratio in 90° cone
9381 cd	99.7%	97.4%

**Beam intensities from 1-20m**

1m	2m	3m	4m	5m	6m	7m	8m	9m	10m	11m	12m	13m	14m	15m	16m	17m	18m	19m	20m
3.3ft	6.6ft	9.8ft	13.1ft	16.4ft	19.7ft	23ft	26.2ft	29.5ft	32.8ft	36.1ft	39.4ft	42.7ft	45.9ft	49.2ft	52.5ft	55.8ft	59.1ft	62.3ft	65.6ft
9381lx	2345lx	1042lx	586lx	375lx	261lx	191lx	147lx	116lx	94lx	78lx	65lx	56lx	48lx	42lx	37lx	32lx	29lx	26lx	23lx
871.5fcd	217.9fcd	96.8fcd	54.5fcd	34.9fcd	24.2fcd	17.8fcd	13.6fcd	10.8fcd	8.7fcd	7.2fcd	6.1fcd	5.2fcd	4.4fcd	3.9fcd	3.4fcd	3fcd	2.7fcd	2.4fcd	2.2fcd

The above information is for 3000K colour temperature, for specific module information please see LED spec located on our website

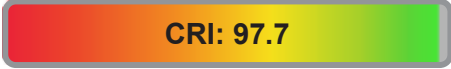
For information regarding other colour temperatures please use the following factors for lumen output and candelas:

2700K = 1

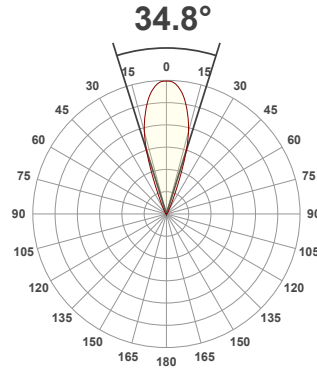
**Light efficiency:**



**Light quality:**



**Color temperature:**



**Product name:**

**093+XL-LED - LED71\_U-30-34-700mA**

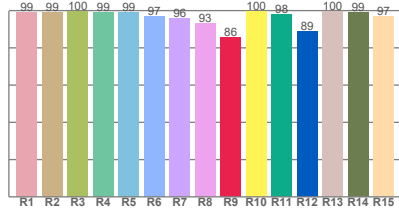
**Item number:**

**Plus XL Conical Accent - LED71/U-30-34-700mA**

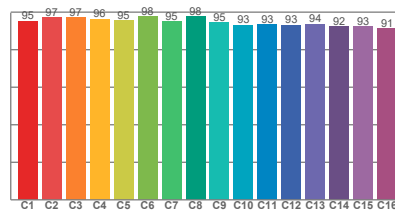
**Delivered information for above fixture and LED combination.**

**Output: 1367 Lumen    Peak intensity: 3988 cd    Power consumption: 27.0**

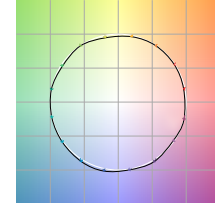
**CRI R values**



**TM30 C Values**

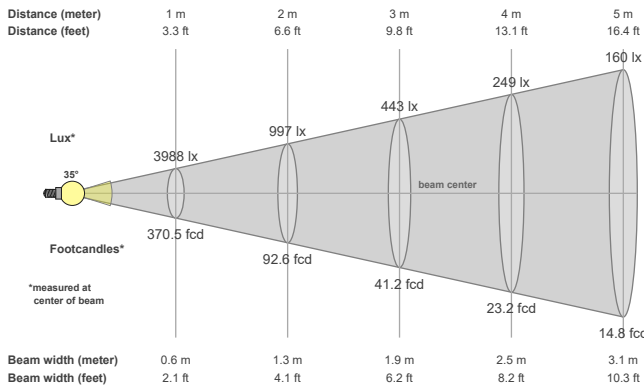


**Color vector graphics**



Color temperature	Color rendering index	Red component	Color fidelity	Color gamut	Color quality scale	Color coordinate cie 1931	Color coordinate cie 1931	Color coordinate	Color coordinate	Color deviation from black body
CCT	CRI	CRI R9	TM30 Rf	TM30 Rg	CQS	x	y	u	v	Δuv
3000 K	97.7	85.8	95.0	99.7	95.6	0.437	0.404	0.250	0.346	-0.0010

**Beam details**



**Beam angles**

Beam angle 50%	Field angle 10%	Cutoff angle 2,5%
34.8°	50.3°	72.4°

**Beam intensities**

Peak intensity	Int. ratio in 120° cone	Int. ratio in 90° cone
3988 cd	99.7%	97.4%

**Beam intensities from 1-20m**

1m	2m	3m	4m	5m	6m	7m	8m	9m	10m	11m	12m	13m	14m	15m	16m	17m	18m	19m	20m
3.3ft	6.6ft	9.8ft	13.1ft	16.4ft	19.7ft	23ft	26.2ft	29.5ft	32.8ft	36.1ft	39.4ft	42.7ft	45.9ft	49.2ft	52.5ft	55.8ft	59.1ft	62.3ft	65.6ft
3988lx	997lx	443lx	249lx	160lx	111lx	81lx	62lx	49lx	40lx	33lx	28lx	24lx	20lx	18lx	16lx	14lx	12lx	11lx	10lx
370.5fcd	92.6fcd	41.2fcd	23.2fcd	14.8fcd	10.3fcd	7.6fcd	5.8fcd	4.6fcd	3.7fcd	3.1fcd	2.6fcd	2.2fcd	1.9fcd	1.6fcd	1.4fcd	1.3fcd	1.1fcd	1fcd	0.9fcd

The above information is for 3000K colour temperature, for specific module information please see LED spec located on our website

For information regarding other colour temperatures please use the following factors for lumen output and candelas:

2700K = 1