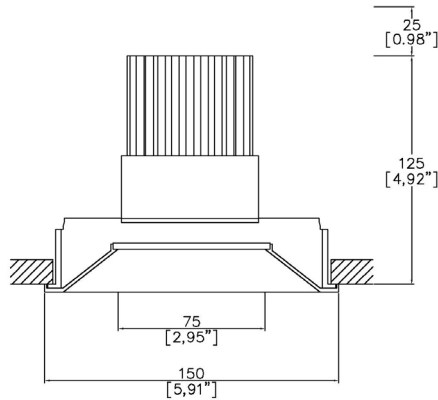


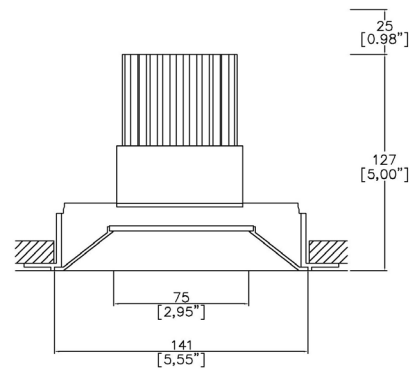
Plus5 XL Conical Fixed



Plus provides high performance electronics and architectural aesthetics in round and square 3.5” and 5” trim. Plus products include adjustable, fixed and wallwash in a flanged or trimless installation kit. Adjustable can be provided with gear driven adjustment or manual adjustment. Available in various front plates (Conical, Bevel, Edge, Pyramidal and Square Bevel) Bevel and Square Bevel available with various color inserts. Tray, retrofit and housing installation methods (NIC, IC, AT, T24 and CCEA) Multiple configurations for equal spacing also available. Lucent modules available in a wide range of color temperatures, beam angles, intensities, and effects (Ambiance WarmDim and Dynamic Tuneable White). TRIAC/Phase, 0-10v/1-10v, DMX and DALI/Digital dimming.



A090+XL-LED-TR
Cut-out 146mm Ø
(5.75” Ø)



A090+XL-LED-TL
Cut-out 146mm Ø
(5.75” Ø)



Installation kit for overlap flange



Mud-in kit for seamless/trimless

LED Source	LED71	LED71	LED71	LED71/U	LED71/U	LED71/U
CCT	3000K	3000K	3000K	3000K	3000K	3000K
Drive Current	700mA	700mA	700mA	700mA	700mA	700mA
Power inc Driver	27W	27W	27W	27W	27W	27W
Beam Angle	12°	19°	34°	12°	19°	34°
Delivered Lumens	1949	1741	1807	1596	1395	1533
Delivered Intensisty cd	24598	11564	4705	22085	10040	4167
Efficacy lm/w	72	64	67	59	52	57
Forward Volt	33V	33V	33V	33V	33V	33V
CRI	≥90 CRI	≥90 CRI	≥90 CRI	≥98 CRI	≥98 CRI	≥98 CRI

Project Ref: _____

Location Ref: _____

Specify fixture part number (All boxes must be filled in to correctly order)

A090+XL-LED													
-------------	--	--	--	--	--	--	--	--	--	--	--	--	--

Installation

- TR Flange kit
- TL Mud-in kit

Finish

- WH White
- BK Black
- RAL Custom*

Location

- XX Dry
- DP Damp
- WT Wet

Ceiling Thickness

- SC Standard Ceiling (1/2"-5/8"-3/4")
- C Custom

LED Type

- LED71 LED71 (90CRI)
- LED71/U LED71/U (98CRI)

CCT

- 27 2700K
- 30 3000K
- 35 3500K
- 40 4000K (90 CRI ONLY)

Beam Angles

- 12 12
- 19 19
- 34 34

Housing/Tray

- LMT-15-NIC Mounting Tray Non-Insulated ceilings
- LH-8.50-NIC Housing 8.50" Non-Insulated ceilings
- LH-11.25-AT/IC Housing 11.25" Insulated/Air-tight ceilings and Chicago Plenum

Mounting Hardware

- 09 9" to 15.25" - Adjustable Bar Hanger Lengths
- 14 14" to 24" - Adjustable Bar Hanger Lengths
- 36 28" to 36" - Adjustable Bar Hanger Lengths
- BB Butterfly Bracket
- CB Caterpillar Bracket

Supply Voltage

- 120 120V
- 277 277V

Dimming Protocol

- S Non-Dimmable
- P TRIAC/Phase (120V ONLY) (25-10% Minimum Dimming)***
- LP Lutron Forward Phase 2-Wire (1% Dimming) (120V ONLY)
- ESS EcoSystem 5-Series (5% Dimming)
- LHE EcoSystem Hi-Lume Fade to Black (1% Dimming)
- LAE Lutron 3-Wire Hi-Lume (1% Dimming)
- LHP Lutron Hi-Lume Premier EcoSystem (0.1% Dimming)
- A 0-10V (15-5% Minimum Dimming)***
- ESD EldoLED Solo DALI2 (0.1% Dimming)
- EED EldoLED Eco DALI2 (1% Dimming)
- ESA EldoLED Solo 0-10V/1-10V (0.1% Dimming)
- EEA EldoLED Eco 0-10V/1-10V (1% Dimming)
- B Bluetooth**

Emergency

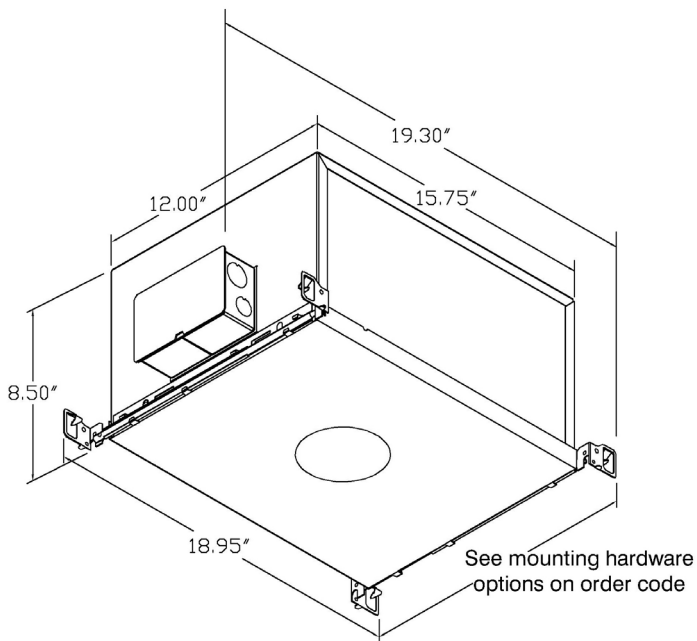
- E 3hr Emergency
- ES 3hr Self Test

Louvre/Lens

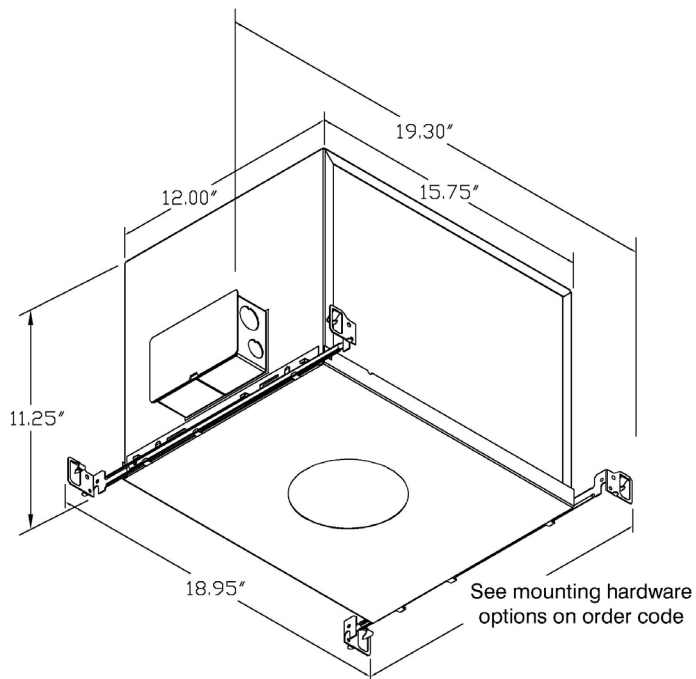
- XX Not required
- MD45 Honeycomb
- MDUV UV
- MDDF Solite/Diffusing
- MDFR Frosted Lens
- MDLS Linear Spread
- MDHS Heavy Spread

*Refer to Technical Details for more information

Housing dimensions

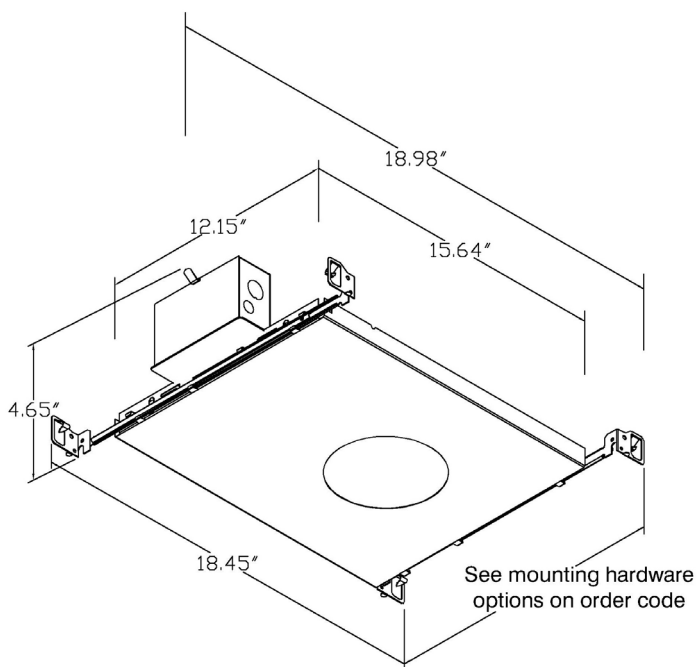


LH-8.50
Non-insulated ceiling



LH-11.25
Insulated/air-tight ceilings and
Chicago Plenum

Tray dimensions



LMT-15
Non-insulated ceilings



Honeycomb Louvre (MD45)



Solite/Diffusing Lens (MDDF)



Frosted Lens (MDFR)



Heavy Spread Lens (MDHS)



Linear Spread Lens (MDLS)

Technical Details

*Custom color requires a paint chip or RAL code and may increase price and lead-time

It is the responsibility of the specifier/integrator/installer to check and ensure compatibility of any control equipment used. Additional cabling may be required depending on the dimming protocol specified.

**Bluetooth (wireless) is a communication protocol. The exact dimming protocol must be confirmed to allow the selection of suitable drivers or Bluetooth devices.

***Non specific driver type, dimming performance depending on exact driver used. Contact Lucent Lighting for more information.

^ Depth indicated is the minimum recess depth for the luminaire with a remote mounted LED driver. Installing a driver through either the luminaire cut-out or installation kit may require additional recess depth, please refer to the relevant installation instructions prior to purchase.

First Fix Requirement. Luminaire comprised of fixture body with ceiling trim and installation kit, which is to be fitted into the ceiling once finished. Ensure correct alignment of the installation kit before final assembly (see luminaire installation instructions for details)

Location. Tested from underside of the ceiling.

Data correct at time of publishing. It is the policy of Lucent Lighting to continually review and improve its products and therefore reserve the right to change any details of product or withdraw specifications without prior notice.

This specification sheet supersedes all previous versions.

All intellectual property rights pertaining to the product described above and to this document are owned by or licensed to Lucent Lighting, Incorporated. Lucent Lighting reserves the right to take whatever action is necessary to protect its intellectual property, patents and trademarks

Please notify Lucent Lighting Inc. inaccuracies. E&OE



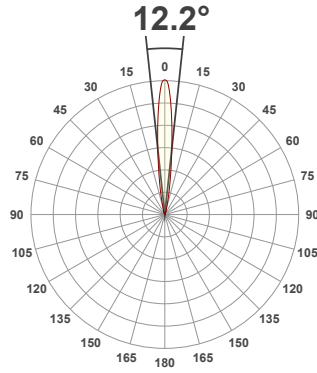
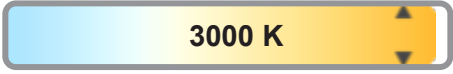
Light efficiency:



Light quality:



Color temperature:



Product name:

090+XL-LED - LED71-30-12-700mA

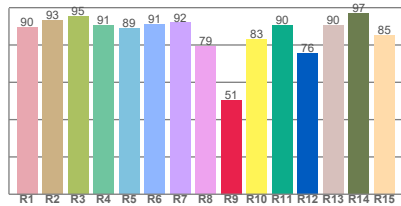
Item number:

Plus XL Conical Fixed - LED71-30-12-700mA

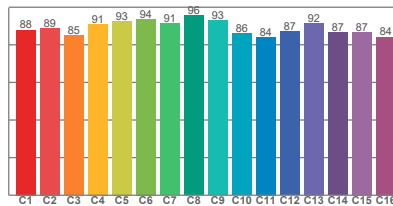
Delivered information for above fixture and LED combination.

Output: 1949 Lumen Peak intensity: 24598 cd Power consumption: 27.0

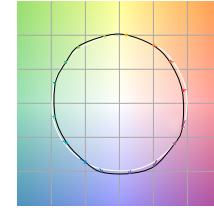
CRI R values



TM30 C Values

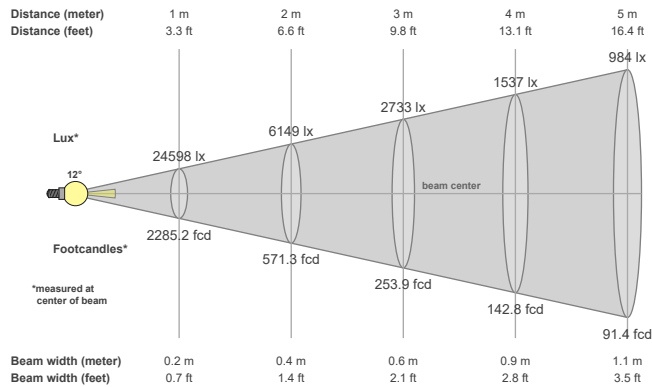


Color vector graphics



Color temperature	Color rendering index	Red component	Color fidelity	Color gamut	Color quality scale	Color coordinate cie 1931	Color coordinate cie 1931	Color coordinate	Color coordinate	Color deviation from black body
CCT	CRI	CRI R9	TM30 Rf	TM30 Rg	CQS	x	y	u	v	Δuv
3000 K	90.0	50.6	89.1	99.3	88.8	0.437	0.404	0.249	0.348	0.0009

Beam details



Beam angles

Beam angle 50%	Field angle 10%	Cutoff angle 2,5%
12.2°	25.2°	37.5°

Beam intensities

Peak intensity	Int. ratio in 120° cone	Int. ratio in 90° cone
24598 cd	98.6%	93.9%

Beam intensities from 1-20m

1m	2m	3m	4m	5m	6m	7m	8m	9m	10m	11m	12m	13m	14m	15m	16m	17m	18m	19m	20m
3.3ft	6.6ft	9.8ft	13.1ft	16.4ft	19.7ft	23ft	26.2ft	29.5ft	32.8ft	36.1ft	39.4ft	42.7ft	45.9ft	49.2ft	52.5ft	55.8ft	59.1ft	62.3ft	65.6ft
24598lx	6149lx	2733lx	1537lx	984lx	683lx	502lx	384lx	304lx	246lx	203lx	171lx	146lx	125lx	109lx	96lx	85lx	76lx	68lx	61lx
2285.2fcd	571.3fcd	253.9fcd	142.8fcd	91.4fcd	63.5fcd	46.6fcd	35.7fcd	28.2fcd	22.9fcd	18.9fcd	15.9fcd	13.5fcd	11.7fcd	10.2fcd	8.9fcd	7.9fcd	7.1fcd	6.3fcd	5.7fcd

The above information is for 3000K colour temperature, for specific module information please see LED spec located on our website

For information regarding other colour temperatures please use the following factors for lumen output and candelas:

2700K = 1
4000K = 1.084

Light efficiency:

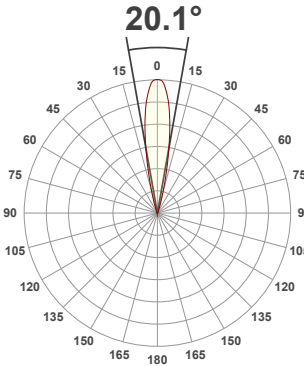
64 Lumen/Watt

Light quality:

CRI: 90.3

Color temperature:

3000 K



Product name:

090+XL-LED - LED71-30-19-700mA

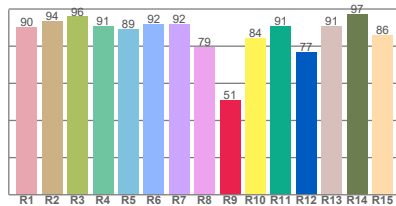
Item number:

Plus XL Conical Fixed - LED71-30-19-700mA

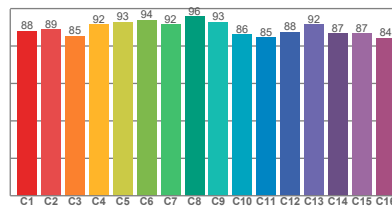
Delivered information for above fixture and LED combination.

Output: 1741 Lumen Peak intensity: 11564 cd Power consumption: 27.0

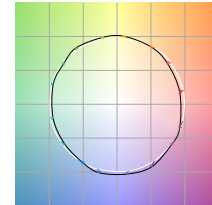
CRI R values



TM30 C Values

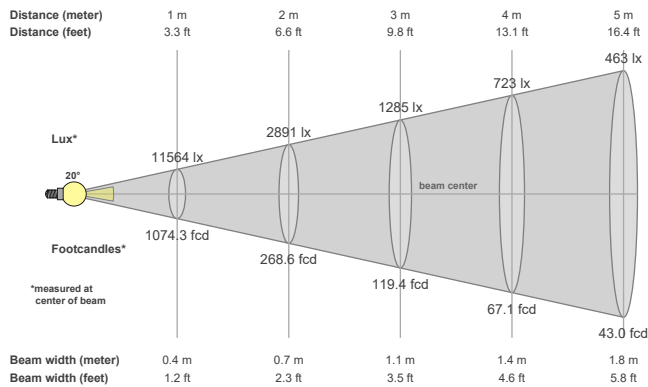


Color vector graphics



Color temperature	Color rendering index	Red component	Color fidelity	Color gamut	Color quality scale	Color coordinate cie 1931	Color coordinate cie 1931	Color coordinate	Color coordinate	Color deviation from black body
CCT	CRI	CRI R9	TM30 Rf	TM30 Rg	CQS	x	y	u	v	Δuv
3000 K	90.3	51.1	89.3	99.2	89.0	0.437	0.404	0.250	0.348	0.0008

Beam details



Beam angles

Beam angle 50%	Field angle 10%	Cutoff angle 2,5%
20.1°	33.8°	45.4°

Beam intensities

Peak intensity	Int. ratio in 120° cone	Int. ratio in 90° cone
11564 cd	97.8%	93.3%

Beam intensities from 1-20m

1m	2m	3m	4m	5m	6m	7m	8m	9m	10m	11m	12m	13m	14m	15m	16m	17m	18m	19m	20m
3.3ft	6.6ft	9.8ft	13.1ft	16.4ft	19.7ft	23ft	26.2ft	29.5ft	32.8ft	36.1ft	39.4ft	42.7ft	45.9ft	49.2ft	52.5ft	55.8ft	59.1ft	62.3ft	65.6ft
11564lx	2891lx	1285lx	723lx	463lx	321lx	236lx	181lx	143lx	116lx	96lx	80lx	68lx	59lx	51lx	45lx	40lx	36lx	32lx	29lx
1074.3fcd	268.6fcd	119.4fcd	67.1fcd	43fcd	29.8fcd	21.9fcd	16.8fcd	13.3fcd	10.7fcd	8.9fcd	7.5fcd	6.4fcd	5.5fcd	4.8fcd	4.2fcd	3.7fcd	3.3fcd	3fcd	2.7fcd

The above information is for 3000K colour temperature, for specific module information please see LED spec located on our website

For information regarding other colour temperatures please use the following factors for lumen output and candelas:

2700K = 1
4000K = 1.084

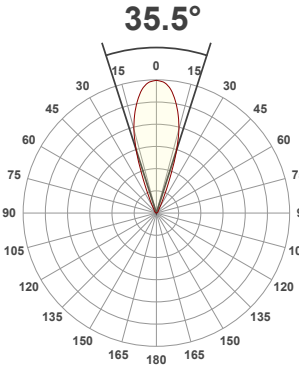
Light efficiency:



Light quality:



Color temperature:



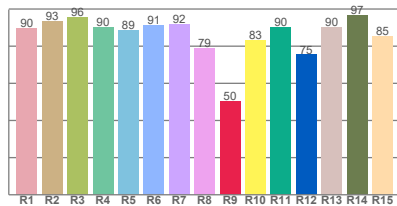
Product name:
090+XL-LED -
LED71-30-34-700mA

Item number:
Plus XL Conical Fixed -
LED71-30-34-700mA

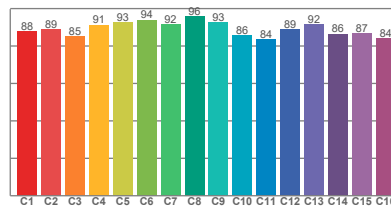
Delivered information for above
fixture and LED combination.

Output: 1807 Lumen Peak intensity: 4705 cd Power consumption: 27.0

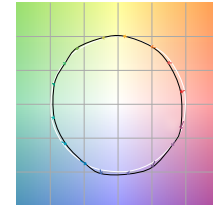
CRI R values



TM30 C Values

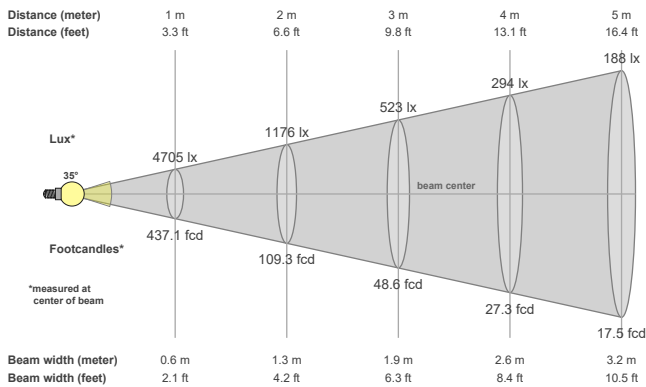


Color vector graphics



Color temperature	Color rendering index	Red component	Color fidelity	Color gamut	Color quality scale	Color coordinate cie 1931	Color coordinate cie 1931	Color coordinate	Color coordinate	Color deviation from black body
CCT	CRI	CRI R9	TM30 Rf	TM30 Rg	CQS	x	y	u	v	Δuv
3000 K	89.9	50.1	89.1	99.2	88.8	0.437	0.404	0.249	0.348	0.0011

Beam details



Beam angles

Beam angle 50%	Field angle 10%	Cutoff angle 2,5%
35.5°	53.1°	80.5°

Beam intensities

Peak intensity	Int. ratio in 120° cone	Int. ratio in 90° cone
4705 cd	98.3%	93.6%

Beam intensities from 1-20m

1m	2m	3m	4m	5m	6m	7m	8m	9m	10m	11m	12m	13m	14m	15m	16m	17m	18m	19m	20m
3.3ft	6.6ft	9.8ft	13.1ft	16.4ft	19.7ft	23ft	26.2ft	29.5ft	32.8ft	36.1ft	39.4ft	42.7ft	45.9ft	49.2ft	52.5ft	55.8ft	59.1ft	62.3ft	65.6ft
4705lx	1176lx	523lx	294lx	188lx	131lx	96lx	74lx	58lx	47lx	39lx	33lx	28lx	24lx	21lx	18lx	16lx	15lx	13lx	12lx
437.1fcd	109.3fcd	48.6fcd	27.3fcd	17.5fcd	12.1fcd	8.9fcd	6.8fcd	5.4fcd	4.4fcd	3.6fcd	3fcd	2.6fcd	2.2fcd	1.9fcd	1.7fcd	1.5fcd	1.3fcd	1.2fcd	1.1fcd

The above information is for 3000K colour temperature, for specific module information please see LED spec located on our website

For information regarding other colour temperatures please use the following factors for lumen output and candelas:

2700K = 1
 4000K = 1.084

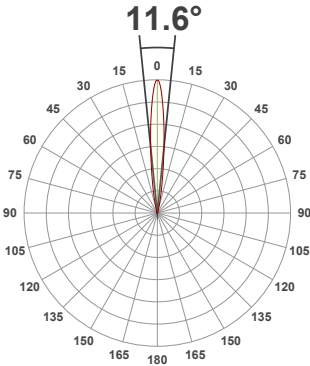
Light efficiency:



Light quality:



Color temperature:



Product name:

090+XL-LED - LED71_U-30-12-700mA

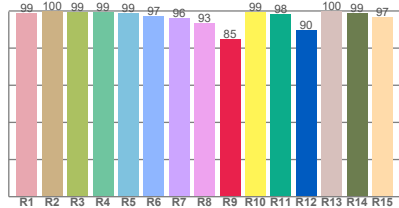
Item number:

PlusXL Conical Fixed - LED71/U-30-12-700mA

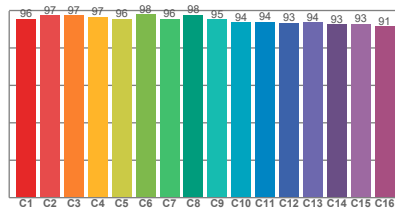
Delivered information for above fixture and LED combination.

Output: 1596 Lumen Peak intensity: 22085 cd Power consumption: 27.0

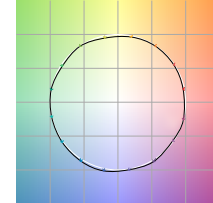
CRI R values



TM30 C Values

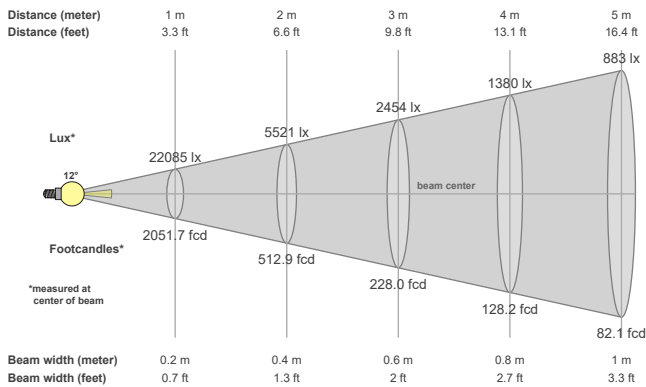


Color vector graphics



Color temperature	Color rendering index	Red component	Color fidelity	Color gamut	Color quality scale	Color coordinate cie 1931	Color coordinate cie 1931	Color coordinate	Color coordinate	Color deviation from black body
CCT	CRI	CRI R9	TM30 Rf	TM30 Rg	CQS	x	y	u	v	Δuv
3000 K	97.9	85.0	95.2	99.6	95.7	0.437	0.404	0.250	0.347	-0.0003

Beam details



Beam angles

Beam angle 50%	Field angle 10%	Cutoff angle 2,5%
11.6°	24.2°	35.6°

Beam intensities

Peak intensity	Int. ratio in 120° cone	Int. ratio in 90° cone
22085 cd	98.5%	93.8%

Beam intensities from 1-20m

1m	2m	3m	4m	5m	6m	7m	8m	9m	10m	11m	12m	13m	14m	15m	16m	17m	18m	19m	20m
3.3ft	6.6ft	9.8ft	13.1ft	16.4ft	19.7ft	23ft	26.2ft	29.5ft	32.8ft	36.1ft	39.4ft	42.7ft	45.9ft	49.2ft	52.5ft	55.8ft	59.1ft	62.3ft	65.6ft
22085lx	5521lx	2454lx	1380lx	883lx	613lx	451lx	345lx	273lx	221lx	183lx	153lx	131lx	113lx	98lx	86lx	76lx	68lx	61lx	55lx
2051.7fcd	512.9fcd	228fcd	128.2fcd	82.1fcd	57fcd	41.9fcd	32.1fcd	25.3fcd	20.5fcd	17fcd	14.2fcd	12.1fcd	10.5fcd	9.1fcd	8fcd	7.1fcd	6.3fcd	5.7fcd	5.1fcd

The above information is for 3000K colour temperature, for specific module information please see LED spec located on our website

For information regarding other colour temperatures please use the following factors for lumen output and candelas:

2700K = 1

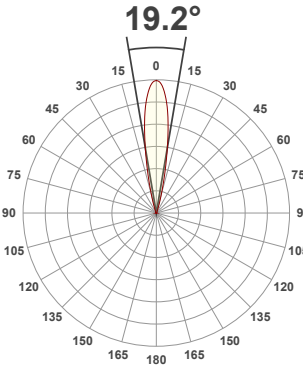
Light efficiency:



Light quality:



Color temperature:



Product name:

090+XL-LED - LED71_U-30-19-700mA

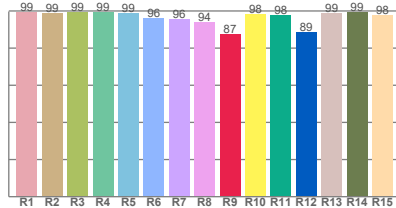
Item number:

PlusXL Conical Fixed - LED71/U-30-19-700mA

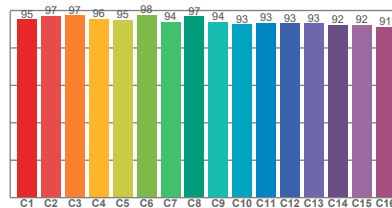
Delivered information for above fixture and LED combination.

Output: 1395 Lumen Peak intensity: 10040 cd Power consumption: 27.0

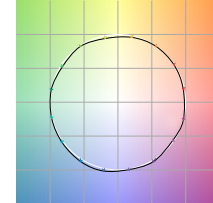
CRI R values



TM30 C Values

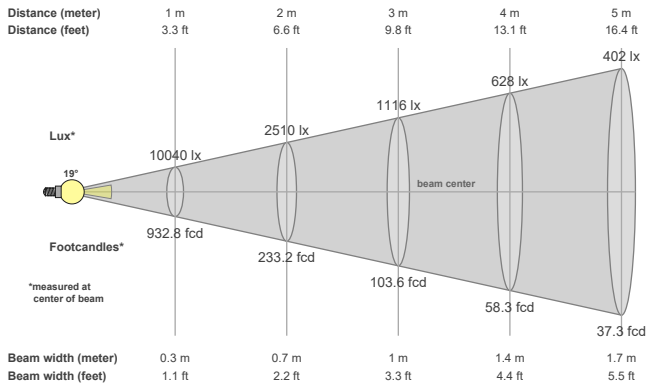


Color vector graphics



Color temperature	Color rendering index	Red component	Color fidelity	Color gamut	Color quality scale	Color coordinate cie 1931	Color coordinate cie 1931	Color coordinate	Color coordinate	Color deviation from black body
CCT	CRI	CRI R9	TM30 Rf	TM30 Rg	CQS	x	y	u	v	Δuv
3000 K	97.5	87.4	94.6	99.5	95.6	0.437	0.404	0.250	0.346	-0.0012

Beam details



Beam angels

Beam angle 50%	Field angle 10%	Cutoff angle 2,5%
19.2°	32.8°	43.3°

Beam intensities

Peak intensity	Int. ratio in 120° cone	Int. ratio in 90° cone
10040 cd	98.3%	93.6%

Beam intensities from 1-20m

1m	2m	3m	4m	5m	6m	7m	8m	9m	10m	11m	12m	13m	14m	15m	16m	17m	18m	19m	20m
3.3ft	6.6ft	9.8ft	13.1ft	16.4ft	19.7ft	23ft	26.2ft	29.5ft	32.8ft	36.1ft	39.4ft	42.7ft	45.9ft	49.2ft	52.5ft	55.8ft	59.1ft	62.3ft	65.6ft
10040lx	2510lx	1116lx	628lx	402lx	279lx	205lx	157lx	124lx	100lx	83lx	70lx	59lx	51lx	45lx	39lx	35lx	31lx	28lx	25lx
932.8fcd	233.2fcd	103.6fcd	58.3fcd	37.3fcd	25.9fcd	19fcd	14.6fcd	11.5fcd	9.3fcd	7.7fcd	6.5fcd	5.5fcd	4.8fcd	4.1fcd	3.6fcd	3.2fcd	2.9fcd	2.6fcd	2.3fcd

The above information is for 3000K colour temperature, for specific module information please see LED spec located on our website

For information regarding other colour temperatures please use the following factors for lumen output and candelas:

2700K = 1

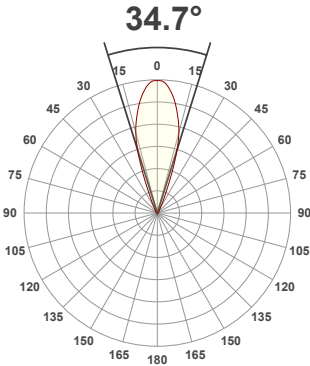
Light efficiency:



Light quality:



Color temperature:



Product name:

090+XL-LED - LED71_U-30-34-700mA

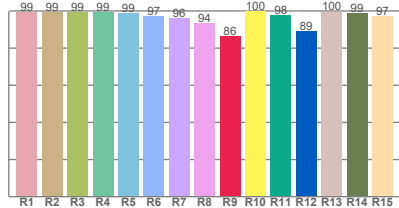
Item number:

PlusXL Conical Fixed - LED71/U-30-34-700mA

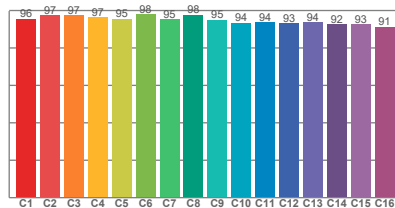
Delivered information for above fixture and LED combination.

Output: 1533 Lumen Peak intensity: 4167 cd Power consumption: 27.0

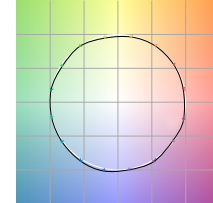
CRI R values



TM30 C Values

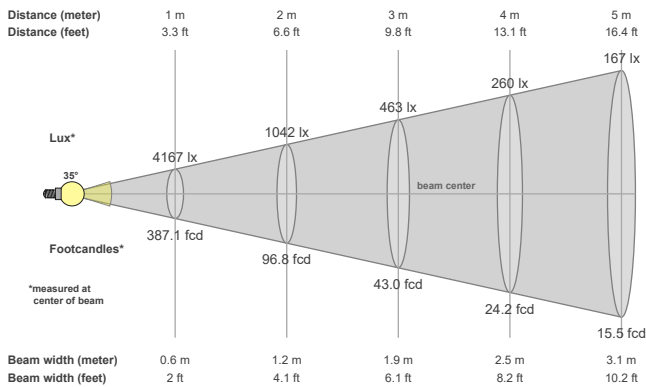


Color vector graphics



Color temperature	Color rendering index	Red component	Color fidelity	Color gamut	Color quality scale	Color coordinate cie 1931	Color coordinate cie 1931	Color coordinate	Color coordinate	Color deviation from black body
CCT	CRI	CRI R9	TM30 Rf	TM30 Rg	CQS	x	y	u	v	Δuv
3000 K	97.9	86.4	95.1	99.8	95.7	0.437	0.404	0.250	0.346	-0.0008

Beam details



Beam angels

Beam angle 50%	Field angle 10%	Cutoff angle 2,5%
34.7°	51.2°	75.8°

Beam intensities

Peak intensity	Int. ratio in 120° cone	Int. ratio in 90° cone
4167 cd	96.5%	91.2%

Beam intensities from 1-20m

1m	2m	3m	4m	5m	6m	7m	8m	9m	10m	11m	12m	13m	14m	15m	16m	17m	18m	19m	20m
3.3ft	6.6ft	9.8ft	13.1ft	16.4ft	19.7ft	23ft	26.2ft	29.5ft	32.8ft	36.1ft	39.4ft	42.7ft	45.9ft	49.2ft	52.5ft	55.8ft	59.1ft	62.3ft	65.6ft
4167lx	1042lx	463lx	260lx	167lx	116lx	85lx	65lx	51lx	42lx	34lx	29lx	25lx	21lx	19lx	16lx	14lx	13lx	12lx	10lx
387.1 fcd	96.8 fcd	43 fcd	24.2 fcd	15.5 fcd	10.8 fcd	7.9 fcd	6 fcd	4.8 fcd	3.9 fcd	3.2 fcd	2.7 fcd	2.3 fcd	2 fcd	1.7 fcd	1.5 fcd	1.3 fcd	1.2 fcd	1.1 fcd	1 fcd

The above information is for 3000K colour temperature, for specific module information please see LED spec located on our website

For information regarding other colour temperatures please use the following factors for lumen output and candelas:

2700K = 1