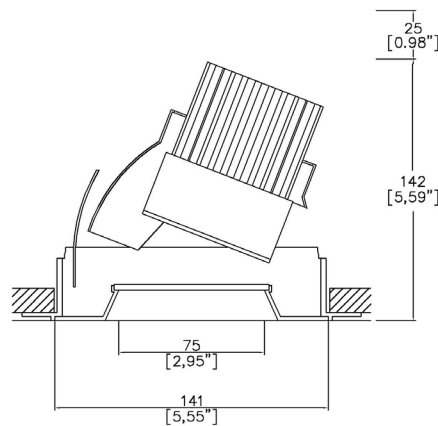


## ProSpex Plus XL Bevel Accent Trimless



150mm (5.90") overall trim diameter. Available with standard trim kit or plaster-in kit for flush appearance. Family of matching products also available. Up to 35° tilt. Required depth height + 25mm^



093+XL-13-LED-TL  
Cut-out 142mm Ø

|                         |         |         |         |
|-------------------------|---------|---------|---------|
| LED Source              | LED71/U | LED71/U | LED71/U |
| CCT                     | 3000K   | 3000K   | 3000K   |
| Drive Current           | 700mA   | 700mA   | 700mA   |
| Power inc Driver        | 27W     | 27W     | 27W     |
| Beam Angle              | 12°     | 19°     | 34°     |
| Delivered Lumens        | 1422    | 1261    | 1353    |
| Delivered Intensisty cd | 19368   | 9445    | 3908    |
| Efficacy lm/w           | 53      | 47      | 50      |
| Forward Volt            | 33V     | 33V     | 33V     |
| CRI                     | ≥98 CRI | ≥98 CRI | ≥98 CRI |

Project Ref: \_\_\_\_\_

Location Ref: \_\_\_\_\_

**Fixture Order Code:**



**Fixture**  
 093+XL-13-LED-TL Plus XL Bevel Accent Trimless with LED71

**Finish**  
 WH White  
 BK Black  
 RAL Custom RAL Colour\*

**IP Rating**  
 44 IP44

**Emergency**  
 E Maintained 3hr Emergency  
 ED Maintained 3hr DALI Self Test  
 ES Maintained 3hr Self Test



**LED Order Code:**

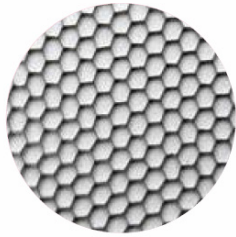


**LED**  
 LED71/U LED70 ONE ULTRA

**CCT**  
 927 90 CRI 2700K  
 930 90 CRI 3000K

**Beam**  
 12 12°  
 19 19°  
 34 34°

**Protocol**  
 S Non-Dim  
 A Analogue (0-10v)  
 P Phase  
 D DALI  
 B Bluetooth\*\*



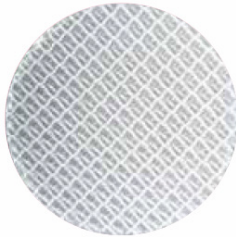
**Honeycomb Louvre**



**Diffusing Lens**



**Frosted Lens**



**Heavy Spread Lens**



**Linear Spread Lens**



**Warm Tone**

Accessories Order Code:

**Louvre/Lens**

- MN71 Honeycomb Louvre
- MDCC Warm Tone Lens
- MDUV UV Lens
- MDDF Diffusing Lens
- MDFR Frosted Lens
- MDLS Linear Spread Lens
- MDHS Heavy Spread Lens

**Technical Details**

\*Custom RAL code must be specified. Custom RAL colours can increase prices and lead times

Dimming. Whilst Lucent can offer the majority of its luminaires with various dimming options, it remains the responsibility of the specifier/installer to check and ensure compatibility of any control equipment used. Additional cabling may be required depending on the dimming protocol specified.

\*\*Bluetooth (wireless) is the communication method. The exact dimming protocol must be confirmed to allow the selection of suitable drivers or bluetooth devices.

^ Depth indicated is the minimum recess depth for the luminaire with a remote mounted LED driver. Installing a driver through either the luminaire cut-out or installation kit may require additional recess depth, please refer to the relevant luminaire installation instructions for further details. Data correct at time of publishing

First Fix Requirement. Luminaire comprised of fixture body with ceiling trim and installation kit, which is to be fitted into the ceiling once finished. Ensure correct alignment of the installation kit before final assembly (see luminaire installation instructions for details)

IP Rating. Tested from underside of the ceiling

It is the policy of Lucent Lighting to continually review and improve its products and therefore reserve the right to change any details of product or withdraw specifications without prior notice.

Luminaires designed to comply with EN60598 and all other standards.

This specification sheet superseded all previous versions.

All intellectual property rights pertaining to the product described above and to this document are owned by or licensed to Lucent Lighting Ltd.

We reserve the right to take whatever action is necessary to protect those intellectual property rights.

Please notify Lucent Lighting Ltd of any inaccuracies immediately. E&OE

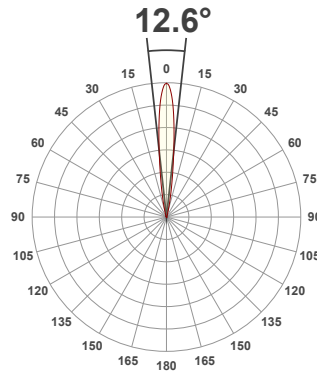
**Light efficiency:**



**Light quality:**



**Color temperature:**



**Product name:**

**093+XL-13-LED - LED71\_U-30-12-700mA**

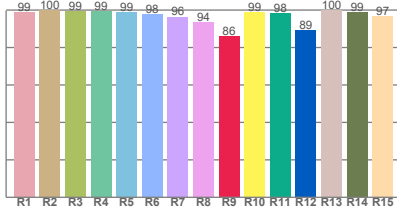
**Item number:**

**Plus XL Bevel Accent - LED71/U-30-12-700mA**

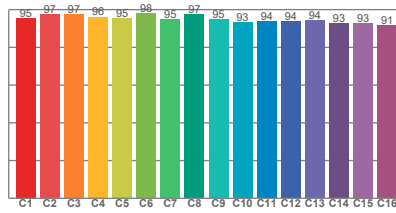
**Delivered information for above fixture and LED combination.**

**Output: 1422 Lumen    Peak intensity: 19368 cd    Power consumption: 27.0**

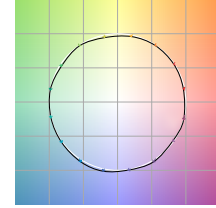
**CRI R values**



**TM30 C Values**

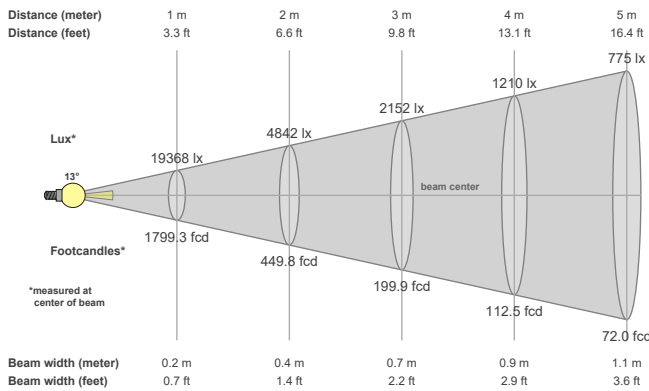


**Color vector graphics**



| Color temperature | Color rendering index | Red component | Color fidelity | Color gamut | Color quality scale | Color coordinate cie 1931 | Color coordinate cie 1931 | Color coordinate | Color coordinate | Color deviation from black body |
|-------------------|-----------------------|---------------|----------------|-------------|---------------------|---------------------------|---------------------------|------------------|------------------|---------------------------------|
| CCT               | CRI                   | CRI R9        | TM30 Rf        | TM30 Rg     | CQS                 | x                         | y                         | u                | v                | Δuv                             |
| 3000 K            | 98.0                  | 85.8          | 95.1           | 99.4        | 95.8                | 0.437                     | 0.404                     | 0.249            | 0.347            | 0.0002                          |

**Beam details**



**Beam angles**

| Beam angle 50% | Field angle 10% | Cutoff angle 2,5% |
|----------------|-----------------|-------------------|
| 12.6°          | 25.1°           | 36.9°             |

**Beam intensities**

| Peak intensity | Int. ratio in 120° cone | Int. ratio in 90° cone |
|----------------|-------------------------|------------------------|
| 19368 cd       | 99.7%                   | 99.3%                  |

**Beam intensities from 1-20m**

| 1m        | 2m       | 3m       | 4m       | 5m     | 6m     | 7m      | 8m      | 9m      | 10m    | 11m     | 12m     | 13m     | 14m    | 15m    | 16m    | 17m    | 18m    | 19m    | 20m    |
|-----------|----------|----------|----------|--------|--------|---------|---------|---------|--------|---------|---------|---------|--------|--------|--------|--------|--------|--------|--------|
| 3.3ft     | 6.6ft    | 9.8ft    | 13.1ft   | 16.4ft | 19.7ft | 23ft    | 26.2ft  | 29.5ft  | 32.8ft | 36.1ft  | 39.4ft  | 42.7ft  | 45.9ft | 49.2ft | 52.5ft | 55.8ft | 59.1ft | 62.3ft | 65.6ft |
| 19368lx   | 4842lx   | 2152lx   | 1210lx   | 775lx  | 538lx  | 395lx   | 303lx   | 239lx   | 194lx  | 160lx   | 134lx   | 115lx   | 99lx   | 86lx   | 76lx   | 67lx   | 60lx   | 54lx   | 48lx   |
| 1799.3fcd | 449.8fcd | 199.9fcd | 112.5fcd | 72fcd  | 50fcd  | 36.7fcd | 28.1fcd | 22.2fcd | 18fcd  | 14.9fcd | 12.5fcd | 10.6fcd | 9.2fcd | 8fcd   | 7fcd   | 6.2fcd | 5.6fcd | 5fcd   | 4.5fcd |

The above information is for 3000K colour temperature, for specific module information please see LED spec located on our website

For information regarding other colour temperatures please use the following factors for lumen output and candelas:

2700K = 1

**Light efficiency:**

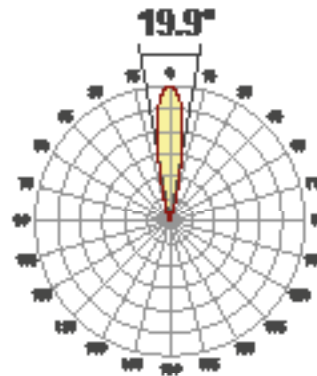
47 Lumen/Watt

**Light quality:**

CRI: 97.5

**Color temperature:**

3000 K



**Product name:**

093+XL-13-LED -  
LED71\_U-30-19-700mA

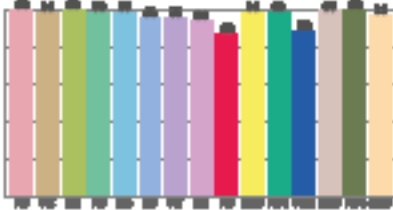
**Item number:**

PlusXL Bevel Accent - LED71/  
U-30-19-700mA

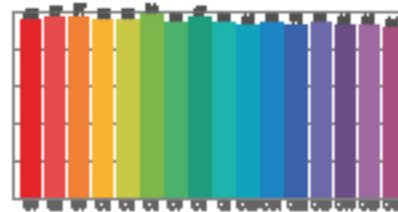
Delivered information for above  
fixture and LED combination.

Output: 1261 Lumen Peak intensity: 9445 cd Power consumption: 27.0

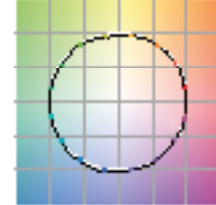
**CRI R values**



**TM30 C Values**

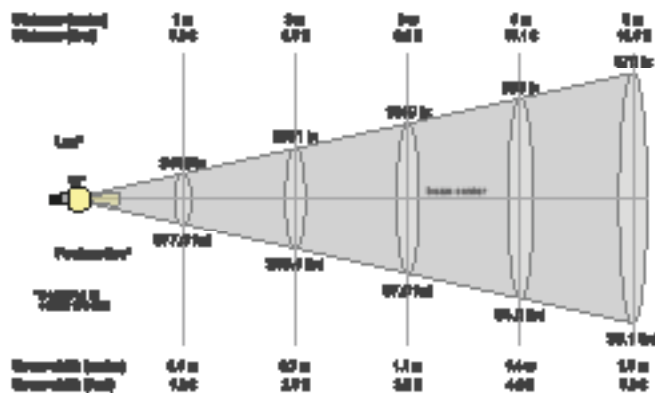


**Color vector graphics**



| Color vector | Color vector<br>data | Red vector | Green vector | Blue vector | White vector | Color vector<br>data | Color vector<br>data | Color vector<br>data | Color vector<br>data | Color vector<br>data | Color vector<br>data |
|--------------|----------------------|------------|--------------|-------------|--------------|----------------------|----------------------|----------------------|----------------------|----------------------|----------------------|
| OCT          | CFS                  | CFS RB     | TM30 R7      | TM30 R9     | CSB          | X                    | Y                    | U                    | V                    | Z                    |                      |
| 3000K        | 97.5                 | 97.8       | 94.6         | 99.4        | 96.8         | 0.437                | 0.404                | 0.248                | 0.248                | -0.0012              |                      |

**Beam angle**



**Beam angle**

| Beam angle 50% | Field angle 50% | Cutoff angle 2.0% |
|----------------|-----------------|-------------------|
| 19.9°          | 32.7°           | 44.2°             |

**Beam intensity**

| Peak intensity | Int. ratio to 120° cone | Int. ratio to 60° cone |
|----------------|-------------------------|------------------------|
| 9445 cd        | 88.8%                   | 88.1%                  |

**Beam intensities from 1-20m**

| 1m      | 2m      | 3m     | 4m     | 5m     | 6m     | 7m     | 8m     | 9m     | 10m    | 11m    | 12m    | 13m    | 14m    | 15m    | 16m    | 17m    | 18m    | 19m    | 20m    |
|---------|---------|--------|--------|--------|--------|--------|--------|--------|--------|--------|--------|--------|--------|--------|--------|--------|--------|--------|--------|
| 3.3ft   | 6.6ft   | 9.8ft  | 13.1ft | 16.4ft | 19.7ft | 23ft   | 26.2ft | 29.5ft | 32.8ft | 36.1ft | 39.4ft | 42.7ft | 45.9ft | 49.2ft | 52.5ft | 55.8ft | 59.1ft | 62.3ft | 65.6ft |
| 9445lx  | 2361lx  | 1049lx | 590lx  | 378lx  | 262lx  | 193lx  | 148lx  | 117lx  | 94lx   | 78lx   | 66lx   | 56lx   | 48lx   | 42lx   | 37lx   | 33lx   | 29lx   | 26lx   | 24lx   |
| 877.5cd | 219.4cd | 97.5cd | 54.8cd | 35.1cd | 24.4cd | 17.9cd | 13.7cd | 10.8cd | 8.8cd  | 7.3cd  | 6.1cd  | 5.2cd  | 4.5cd  | 3.9cd  | 3.4cd  | 3cd    | 2.7cd  | 2.4cd  | 2.2cd  |

The above information is for 3000K colour temperature, for specific module information please see LED spec located on our website

For information regarding other colour temperatures please use the following factors for lumen output and candelas:

2700K = 1

**Light efficiency:**

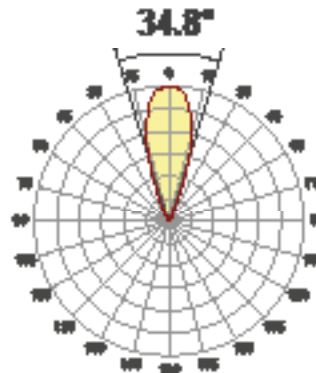
50 Lumen/Watt

**Light quality:**

CRI: 97.8

**Color temperature:**

3000 K



**Product name:**

093+XL-13-LED -  
LED71\_U-30-34-700mA

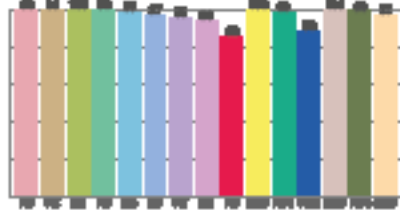
**Item number:**

PlusXL Bevel Accent - LED71/  
U-30-34-700mA

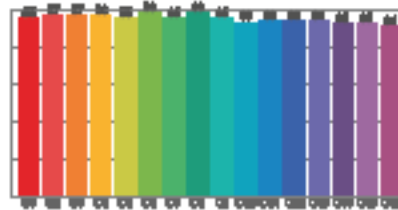
Delivered information for above  
fixture and LED combination.

Output: 1353 Lumen Peak intensity: 3908 cd Power consumption: 27.0

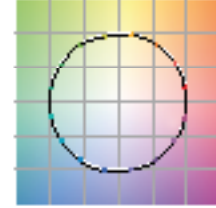
**CRI R values**



**TM30 C Values**

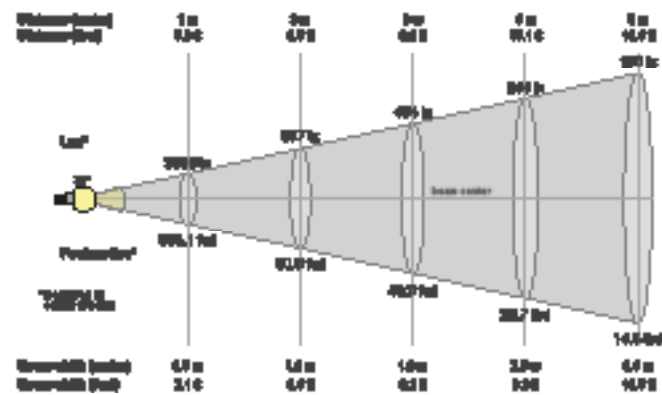


**Color vector graphics**



| Color vector | Color vector<br>CIE94 | Red vector | Green vector | Green   | Blue vector | Blue vector<br>CIE94 | Color vector<br>CIE94 | Color vector | Color vector | Color vector<br>CIE94 |
|--------------|-----------------------|------------|--------------|---------|-------------|----------------------|-----------------------|--------------|--------------|-----------------------|
| OCT          | C90                   | C90 R9     | TM30 R7      | TM30 R9 | C90         | X                    | Y                     | U            | V            | Z                     |
| 3000K        | 87.8                  | 88.8       | 96.8         | 89.7    | 86.8        | 0.437                | 0.404                 | 0.248        | 0.248        | -0.000                |

**Beam angle**



**Beam angle**

| Beam angle 50% | Field angle 50% | Cutoff angle 2.0% |
|----------------|-----------------|-------------------|
| 34.8°          | 88.7°           | 88.2°             |

**Beam intensities**

| Peak intensity | Int. ratio to 120° cone | Int. ratio to 60° cone |
|----------------|-------------------------|------------------------|
| 3908 cd        | 88.3%                   | 88.1%                  |

**Beam intensities from 1-20m**

| 1m      | 2m     | 3m     | 4m     | 5m     | 6m     | 7m    | 8m     | 9m     | 10m    | 11m    | 12m    | 13m    | 14m    | 15m    | 16m    | 17m    | 18m    | 19m    | 20m    |
|---------|--------|--------|--------|--------|--------|-------|--------|--------|--------|--------|--------|--------|--------|--------|--------|--------|--------|--------|--------|
| 3.3ft   | 6.6ft  | 9.8ft  | 13.1ft | 16.4ft | 19.7ft | 23ft  | 26.2ft | 29.5ft | 32.8ft | 36.1ft | 39.4ft | 42.7ft | 45.9ft | 49.2ft | 52.5ft | 55.8ft | 59.1ft | 62.3ft | 65.6ft |
| 3908lx  | 977lx  | 434lx  | 244lx  | 156lx  | 109lx  | 80lx  | 61lx   | 48lx   | 39lx   | 32lx   | 27lx   | 23lx   | 20lx   | 17lx   | 15lx   | 14lx   | 12lx   | 11lx   | 10lx   |
| 363.1cd | 90.8cd | 40.3cd | 22.7cd | 14.5cd | 10.1cd | 7.4cd | 5.7cd  | 4.5cd  | 3.6cd  | 3cd    | 2.5cd  | 2.1cd  | 1.9cd  | 1.6cd  | 1.4cd  | 1.3cd  | 1.1cd  | 1cd    | 0.9cd  |

The above information is for 3000K colour temperature, for specific module information please see LED spec located on our website

For information regarding other colour temperatures please use the following factors for lumen output and candelas:

2700K = 1