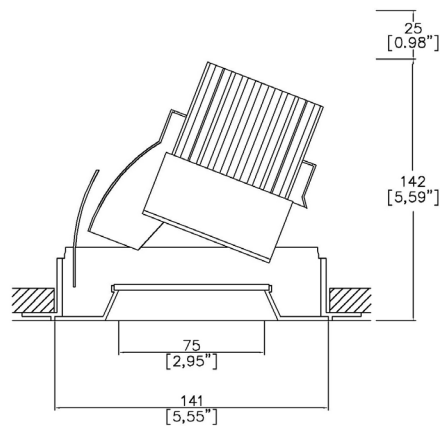


ProSpex Plus XL Bevel Accent Trimless



150mm (5.90") overall trim diameter. Available with standard trim kit or plaster-in kit for flush appearance. Family of matching products also available. Up to 35° tilt. Required depth height + 25mm^



093+XL-13-LED-TL
Cut-out 142mm Ø

LED Source	LED71	LED71	LED71
CCT	3000K	3000K	3000K
Drive Current	700mA	700mA	700mA
Power inc Driver	27W	27W	27W
Beam Angle	12°	19°	34°
Delivered Lumens	1802	1362	1547
Delivered Intensisty cd	25293	9967	4467
Efficacy lm/w	67	50	57
Forward Volt	33V	33V	33V
CRI	≥90 CRI	≥90 CRI	≥90 CRI

Project Ref: _____

Location Ref: _____

Fixture Order Code:



Fixture
093+XL-13-LED-TL Plus XL Bevel Accent Trimless with LED71

Finish
WH White
BK Black
RAL Custom RAL Colour*

IP Rating
44 IP44

Emergency
E Maintained 3hr Emergency
ED Maintained 3hr DALI Self Test
ES Maintained 3hr Self Test



LED Order Code:

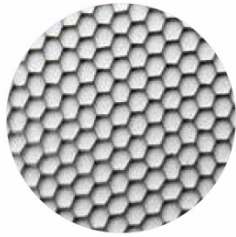


LED
LED71 LED70 ONE

CCT
927 90 CRI 2700K
930 90 CRI 3000K
940 90 CRI 4000K

Beam
12 12°
19 19°
34 34°

Protocol
S Non-Dim
A Analogue (0-10v)
P Phase
D DALI
B Bluetooth**



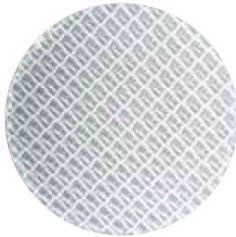
Honeycomb Louvre



Diffusing Lens



Frosted Lens



Heavy Spread Lens



Linear Spread Lens



Warm Tone

Accessories Order Code:

Louvre/Lens

- MN71 Honeycomb Louvre
- MDCC Warm Tone Lens
- MDUV UV Lens
- MDDF Diffusing Lens
- MDFR Frosted Lens
- MDLS Linear Spread Lens
- MDHS Heavy Spread Lens

Technical Details

*Custom RAL code must be specified. Custom RAL colours can increase prices and lead times

Dimming. Whilst Lucent can offer the majority of its luminaires with various dimming options, it remains the responsibility of the specifier/installer to check and ensure compatibility of any control equipment used. Additional cabling may be required depending on the dimming protocol specified.

**Bluetooth (wireless) is the communication method. The exact dimming protocol must be confirmed to allow the selection of suitable drivers or bluetooth devices.

^ Depth indicated is the minimum recess depth for the luminaire with a remote mounted LED driver. Installing a driver through either the luminaire cut-out or installation kit may require additional recess depth, please refer to the relevant luminaire installation instructions for further details. Data correct at time of publishing

First Fix Requirement. Luminaire comprised of fixture body with ceiling trim and installation kit, which is to be fitted into the ceiling once finished. Ensure correct alignment of the installation kit before final assembly (see luminaire installation instructions for details)

IP Rating. Tested from underside of the ceiling

It is the policy of Lucent Lighting to continually review and improve its products and therefore reserve the right to change any details of product or withdraw specifications without prior notice.

Luminaires designed to comply with EN60598 and all other standards.

This specification sheet supersedes all previous versions.

All intellectual property rights pertaining to the product described above and to this document are owned by or licensed to Lucent Lighting Ltd.

We reserve the right to take whatever action is necessary to protect those intellectual property rights.

Please notify Lucent Lighting Ltd of any inaccuracies immediately. E&OE

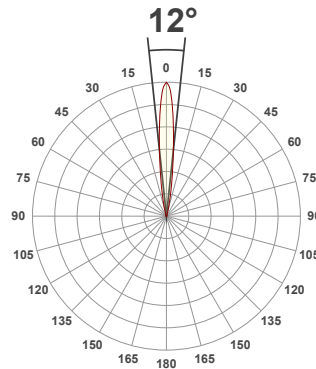
Light efficiency:



Light quality:



Color temperature:



Product name:

093+XL-13-LED - LED71-30-12-700mA

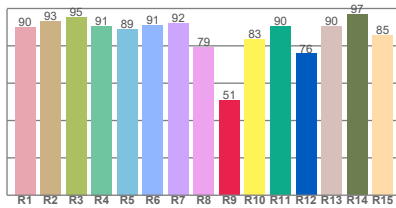
Item number:

Plus XL Bevel Accent - LED71-30-12-700mA

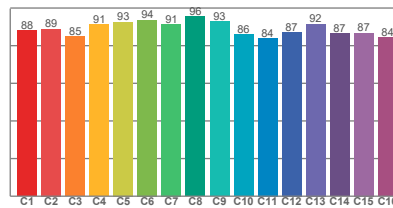
Delivered information for above fixture and LED combination.

Output: 1802 Lumen Peak intensity: 25293 cd Power consumption: 27.0

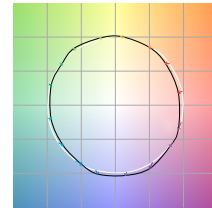
CRI R values



TM30 C Values

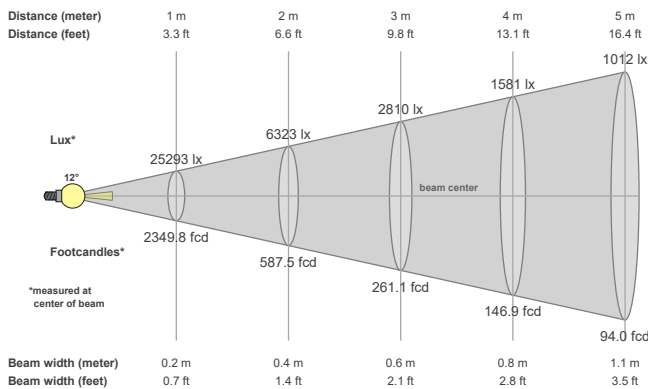


Color vector graphics



Color temperature	Color rendering index	Red component	Color fidelity	Color gamut	Color quality scale	Color coordinate cie 1931	Color coordinate cie 1931	Color coordinate	Color coordinate	Color deviation from black body
CCT	CRI	CRI R9	TM30 Rf	TM30 Rg	CQS	x	y	u	v	Δuv
3000 K	90.0	50.7	89.1	99.3	88.8	0.437	0.404	0.249	0.348	0.0009

Beam details



Beam angles

Beam angle 50%	Field angle 10%	Cutoff angle 2,5%
12°	25.1°	36.9°

Beam intensities

Peak intensity	Int. ratio in 120° cone	Int. ratio in 90° cone
25293 cd	99.5%	99.0%

Beam intensities from 1-20m

1m	2m	3m	4m	5m	6m	7m	8m	9m	10m	11m	12m	13m	14m	15m	16m	17m	18m	19m	20m
3.3ft	6.6ft	9.8ft	13.1ft	16.4ft	19.7ft	23ft	26.2ft	29.5ft	32.8ft	36.1ft	39.4ft	42.7ft	45.9ft	49.2ft	52.5ft	55.8ft	59.1ft	62.3ft	65.6ft
25293lx	6323lx	2810lx	1581lx	1012lx	703lx	516lx	395lx	312lx	253lx	209lx	176lx	150lx	129lx	112lx	99lx	88lx	78lx	70lx	63lx
2349.8fcd	587.5fcd	261.1fcd	146.9fcd	94fcd	65.3fcd	48fcd	36.7fcd	29fcd	23.5fcd	19.4fcd	16.3fcd	13.9fcd	12fcd	10.4fcd	9.2fcd	8.1fcd	7.3fcd	6.5fcd	5.9fcd

The above information is for 3000K colour temperature, for specific module information please see LED spec located on our website

For information regarding other colour temperatures please use the following factors for lumen output and candelas:

2700K = 1
4000K = 1.084

Light efficiency:

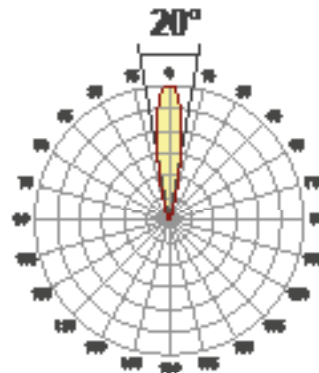
50 Lumen/Watt

Light quality:

CRI: 90.3

Color temperature:

3000 K



Product name:

093+XL-13-LED -
LED71-30-19-700mA

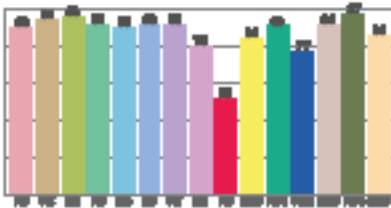
Item number:

Plus XL Bevel Accent -
LED71-30-19-700mA

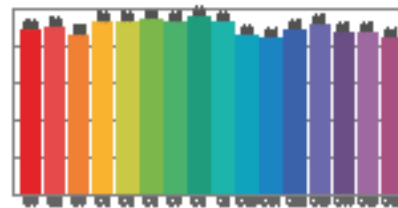
Delivered information for above
fixture and LED combination.

Output: 1362 Lumen Peak intensity: 9967 cd Power consumption: 27.0

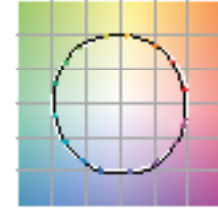
CRI values



TM30 C Values

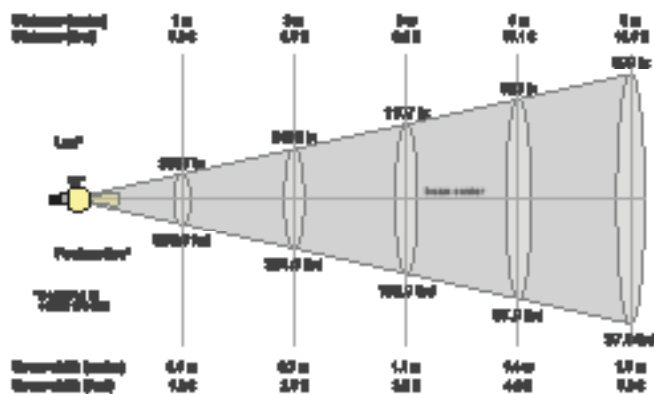


Color vector graphic



Color vector	Color vector	Red vector	Green vector	Blue vector	White vector	Color vector	Color vector	Color vector	Color vector	Color vector	Color vector
OCT	C90	C90 R9	TM30 R7	TM30 R9	C90	x	y	z	u	v	Sum
3000 K	90.3	61.8	70.2	89.8	90.3	0.437	0.404	0.248	0.248	0.007	

Beam data



Beam angle

Beam angle 50%	Field angle 90%	Cutoff angle 2.0%
20°	23.2°	46.7°

Beam Intensity

Peak intensity	Int. ratio to 120° beam	Int. ratio to 60° beam
9967 cd	90.3%	90.3%

Beam intensities from 1-20m

1m	2m	3m	4m	5m	6m	7m	8m	9m	10m	11m	12m	13m	14m	15m	16m	17m	18m	19m	20m
3.3ft	6.6ft	9.8ft	13.1ft	16.4ft	19.7ft	23ft	26.2ft	29.5ft	32.8ft	36.1ft	39.4ft	42.7ft	45.9ft	49.2ft	52.5ft	55.8ft	59.1ft	62.3ft	65.6ft
9967lx	2492lx	1107lx	623lx	399lx	277lx	203lx	156lx	123lx	100lx	82lx	69lx	59lx	51lx	44lx	39lx	34lx	31lx	28lx	25lx
926fcd	231.5fcd	102.9fcd	57.9fcd	37fcd	25.7fcd	18.9fcd	14.5fcd	11.4fcd	9.3fcd	7.7fcd	6.4fcd	5.5fcd	4.7fcd	4.1fcd	3.6fcd	3.2fcd	2.9fcd	2.6fcd	2.3fcd

The above information is for 3000K colour temperature, for specific module information please see LED spec located on our website

For information regarding other colour temperatures please use the following factors for lumen output and candelas:

2700K = 1

4000K = 1.084

Light efficiency:

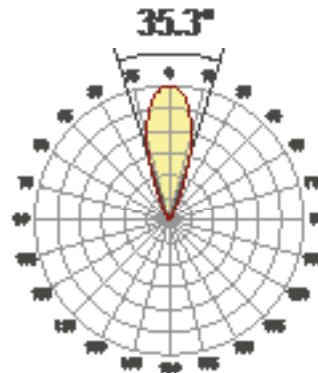
57 Lumen/Watt

Light quality:

CRI: 90.0

Color temperature:

3000 K



Product name:

093+XL-13-LED -
LED71-30-34-700mA

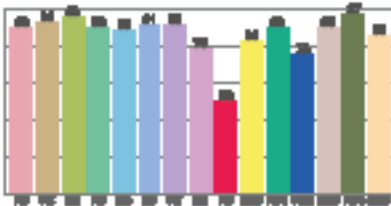
Item number:

Plus XL Bevel Accent -
LED71-30-34-700mA

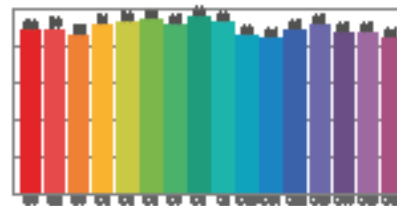
Delivered information for above
fixture and LED combination.

Output: 1547 Lumen Peak intensity: 4467 cd Power consumption: 27.0

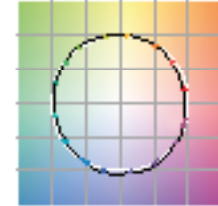
CRI values



TM30 C Values

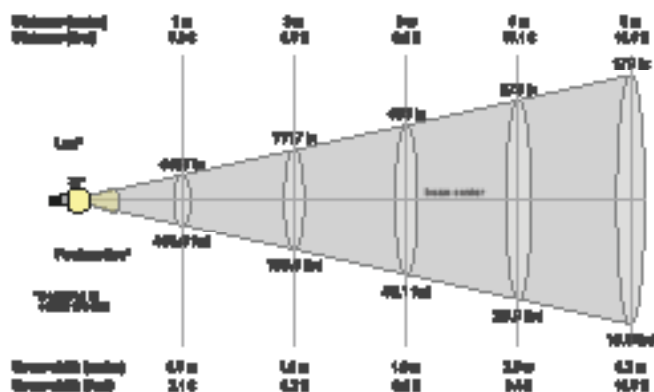


Color vector graphic



Color vector	Color vector CIE	Red vector	Green vector	Blue vector	White vector	White vector CIE	Color vector CIE	Color vector CIE	Color vector CIE	Color vector CIE	Color vector CIE
OCT	CIE	CIE R	TM30 R	TM30 G	CGE	X	Y	Z	U	V	Sun
3000 K	90.0	48.8	39.1	89.2	81.7	0.437	0.404	0.248	0.248	0.1870	

Beam data



Beam angle

Beam angle 50%	Field angle 95%	Cutoff angle 2.0%
35.3°	62.7°	78.7°

Beam Intensity

Peak Intensity	Int. ratio to 120° cone	Int. ratio to 60° cone
4467 cd	81.7%	81.7%

Beam intensities from 1-20m

1m	2m	3m	4m	5m	6m	7m	8m	9m	10m	11m	12m	13m	14m	15m	16m	17m	18m	19m	20m
3.3ft	6.6ft	9.8ft	13.1ft	16.4ft	19.7ft	23ft	26.2ft	29.5ft	32.8ft	36.1ft	39.4ft	42.7ft	45.9ft	49.2ft	52.5ft	55.8ft	59.1ft	62.3ft	65.6ft
4467lx	1117lx	496lx	279lx	179lx	124lx	91lx	70lx	55lx	45lx	37lx	31lx	26lx	23lx	20lx	17lx	15lx	14lx	12lx	11lx
415fcd	103.8fcd	46.1fcd	25.9fcd	16.6fcd	11.5fcd	8.5fcd	6.5fcd	5.1fcd	4.2fcd	3.4fcd	2.9fcd	2.5fcd	2.1fcd	1.8fcd	1.6fcd	1.4fcd	1.3fcd	1.1fcd	1fcd

The above information is for 3000K colour temperature, for specific module information please see LED spec located on our website

For information regarding other colour temperatures please use the following factors for lumen output and candelas:

2700K = 1

4000K = 1.084