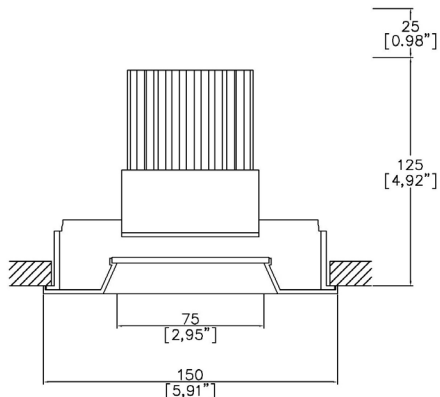


Plus5 XL Bevel Fixed



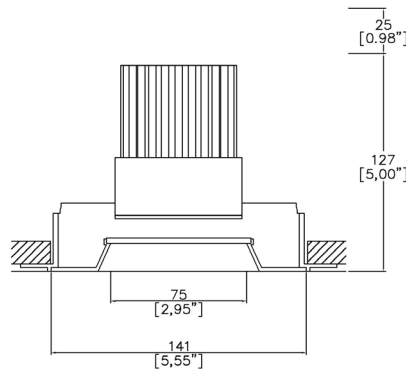
Plus provides high performance electronics and architectural aesthetics in round and square 3.5” and 5” trim. Plus products include adjustable, fixed and wallwash in a flanged or trimless installation kit. Adjustable can be provided with gear driven adjustment or manual adjustment. Available in various front plates (Conical, Bevel, Edge, Pyramidal and Square Bevel) Bevel and Square Bevel available with various color inserts. Tray, retrofit and housing installation methods (NIC, IC, AT, T24 and CCEA) Multiple configurations for equal spacing also available. Lucent modules available in a wide range of color temperatures, beam angles, intensities, and effects (Ambiance WarmDim and Dynamic Tuneable White). TRIAC/Phase, 0-10v/1-10v, DMX and DALI/Digital dimming.



A090+XL-13-LED-TR
Cut-out 146mm Ø
(5.75” Ø)



Installation kit for overlap flange



A090+XL-13-LED-TL
Cut-out 146mm Ø
(5.75” Ø)



Mud-in kit for seamless/trimless

LED Source	LED71	LED71	LED71	LED71/U	LED71/U	LED71/U
CCT	3000K	3000K	3000K	3000K	3000K	3000K
Drive Current	700mA	700mA	700mA	700mA	700mA	700mA
Power inc Driver	27W	27W	27W	27W	27W	27W
Beam Angle	12°	19°	34°	12°	19°	34°
Delivered Lumens	1900	1644	1692	1550	1328	1404
Delivered Intensisty cd	25531	11577	4676	22499	10048	4164
Efficacy lm/w	70	61	62	57	49	52
Forward Volt	33V	33V	33V	33V	33V	33V
CRI	≥90 CRI	≥90 CRI	≥90 CRI	≥98 CRI	≥98 CRI	≥98 CRI

Project Ref: _____

Location Ref: _____

Specify fixture part number (All boxes must be filled in to correctly order)

A090+XL-13-LED														
-----------------------	--	--	--	--	--	--	--	--	--	--	--	--	--	--

Installation

- TR** Flange kit
- TL** Mud-in kit

Finish

- WH** White
- BK** Black
- RAL** Custom*

Location

- XX** Dry
- DP** Damp

Ceiling Thickness

- SC** Standard Ceiling (1/2"-5/8"-3/4")
- C** Custom

LED Type

- LED71** LED71 (90CRI)
- LED71/U** LED71/U (98CRI)

CCT

- 27** 2700K
- 30** 3000K
- 35** 3500K
- 40** 4000K (90 CRI ONLY)

Beam Angles

- 12** 12
- 19** 19
- 34** 34

Housing/Tray

- LMT-15-NIC** Mounting Tray Non-Insulated ceilings
- LH-8.50-NIC** Housing 8.50" Non-Insulated ceilings
- LH-11.25-AT/IC** Housing 11.25" Insulated/Air-tight ceilings and Chicago Plenum

Mounting Hardware

- 09** 9" to 15.25" - Adjustable Bar Hanger Lengths
- 14** 14" to 24" - Adjustable Bar Hanger Lengths
- 36** 28" to 36" - Adjustable Bar Hanger Lengths
- BB** Butterfly Bracket
- CB** Caterpillar Bracket

Supply Voltage

- 120** 120V
- 277** 277V

Dimming Protocol

- S** Non-Dimmable
- P** TRIAC/Phase (120V ONLY) (25-10% Minimum Dimming)***
- LP** Lutron Forward Phase 2-Wire (1% Dimming) (120V ONLY)
- ESS** EcoSystem 5-Series (5% Dimming)
- LHE** EcoSystem Hi-Lume Fade to Black (1% Dimming)
- LAE** Lutron 3-Wire Hi-Lume (1% Dimming)
- LHP** Lutron Hi-Lume Premier EcoSystem (0.1% Dimming)
- A** 0-10V (15-5% Minimum Dimming)***
- ESD** EldoLED Solo DALI2 (0.1% Dimming)
- EED** EldoLED Eco DALI2 (1% Dimming)
- ESA** EldoLED Solo 0-10V/1-10V (0.1% Dimming)
- EEA** EldoLED Eco 0-10V/1-10V (1% Dimming)
- B** Bluetooth**

Emergency

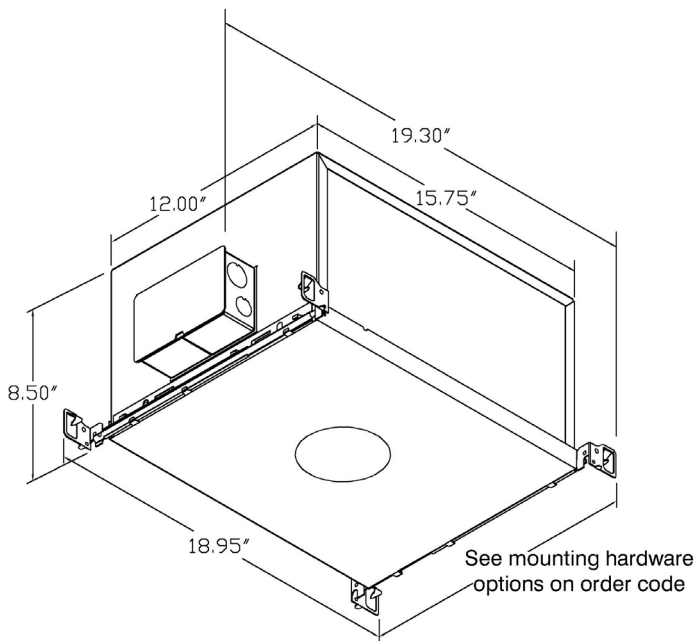
- E** 3hr Emergency
- ES** 3hr Self Test

Louvre/Lens

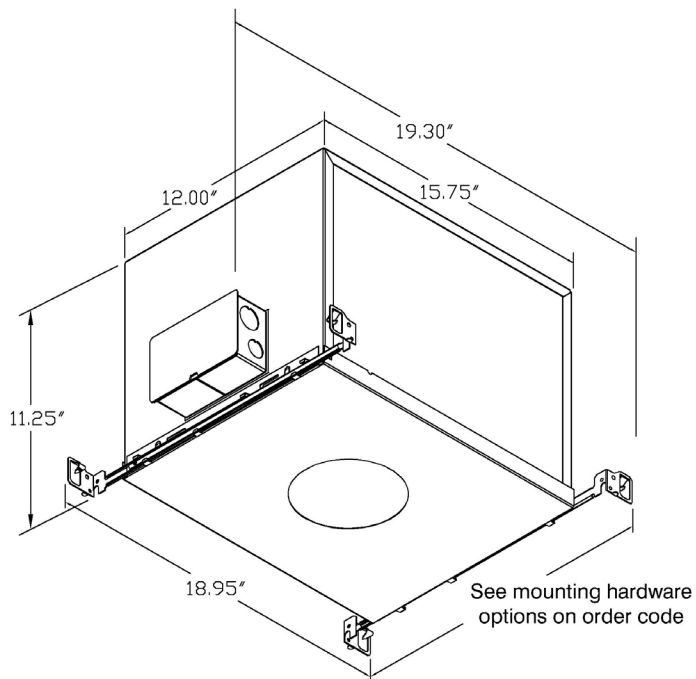
- XX** Not required
- MD45** Honeycomb
- MDUV** UV
- MDDF** Solite/Diffusing
- MDFR** Frosted Lens
- MDLS** Linear Spread
- MDHS** Heavy Spread

*Refer to Technical Details for more information

Housing dimensions

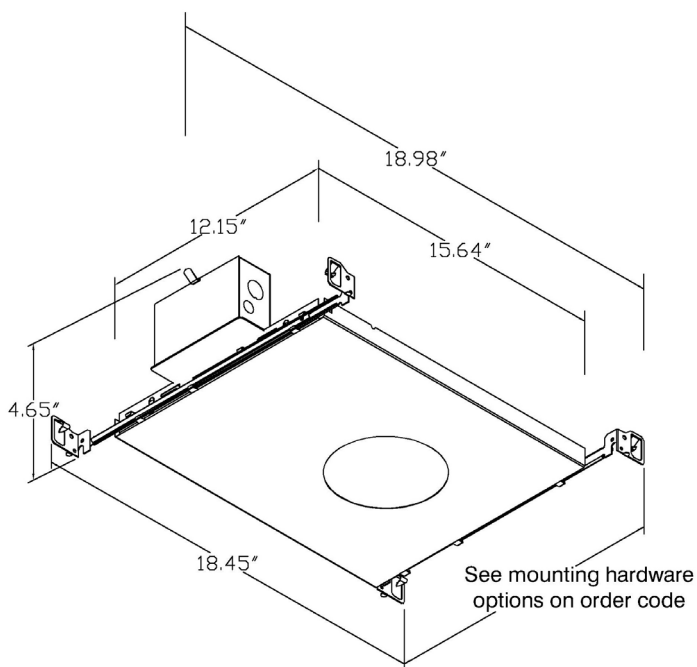


LH-8.50
Non-insulated ceiling

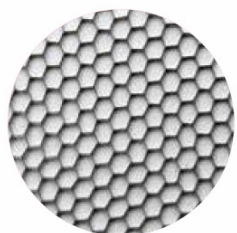


LH-11.25
Insulated/air-tight ceilings and
Chicago Plenum

Tray dimensions



LMT-15
Non-insulated ceilings



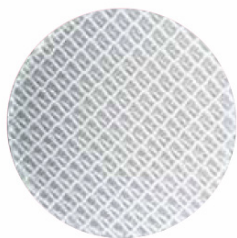
Honeycomb Louvre (MD45)



Solite/Diffusing Lens (MDDF)



Frosted Lens (MDFR)



Heavy Spread Lens (MDHS)



Linear Spread Lens (MDLS)

Technical Details

*Custom color requires a paint chip or RAL code and may increase price and lead-time

It is the responsibility of the specifier/integrator/installer to check and ensure compatibility of any control equipment used. Additional cabling may be required depending on the dimming protocol specified.

**Bluetooth (wireless) is a communication protocol. The exact dimming protocol must be confirmed to allow the selection of suitable drivers or Bluetooth devices.

***Non specific driver type, dimming performance depending on exact driver used. Contact Lucent Lighting for more information.

^ Depth indicated is the minimum recess depth for the luminaire with a remote mounted LED driver. Installing a driver through either the luminaire cut-out or installation kit may require additional recess depth, please refer to the relevant installation instructions prior to purchase.

First Fix Requirement. Luminaire comprised of fixture body with ceiling trim and installation kit, which is to be fitted into the ceiling once finished. Ensure correct alignment of the installation kit before final assembly (see luminaire installation instructions for details)

Location. Tested from underside of the ceiling.

Data correct at time of publishing. It is the policy of Lucent Lighting to continually review and improve its products and therefore reserve the right to change any details of product or withdraw specifications without prior notice.

This specification sheet supersedes all previous versions.

All intellectual property rights pertaining to the product described above and to this document are owned by or licensed to Lucent Lighting, Incorporated. Lucent Lighting reserves the right to take whatever action is necessary to protect its intellectual property, patents and trademarks

Please notify Lucent Lighting Inc. inaccuracies. E&OE



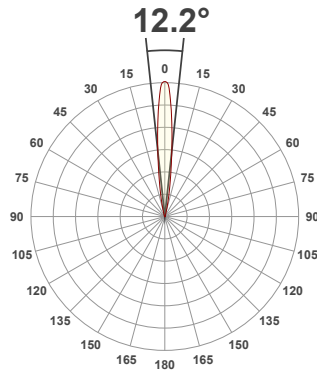
Light efficiency:



Light quality:



Color temperature:



Product name:

090+XL-13-LED - LED71-30-12-700mA

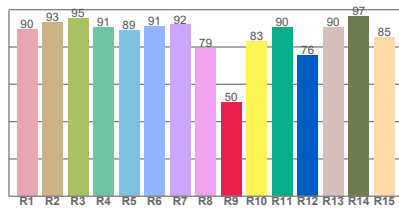
Item number:

Plus XL Bevel Fixed - LED71-30-12-700mA

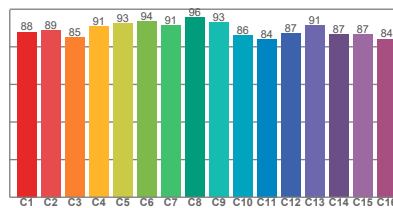
Delivered information for above fixture and LED combination.

Output: 1900 Lumen Peak intensity: 25531 cd Power consumption: 27.0

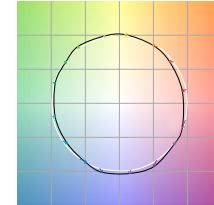
Color R values



TM30 C Values

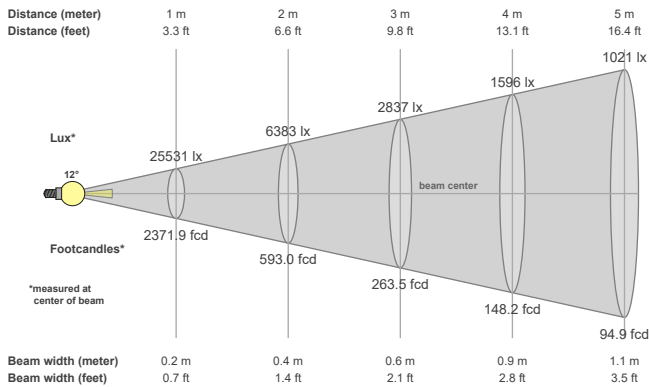


Color vector graphics



Color temperature	Color rendering index	Red component	Color fidelity	Color gamut	Color quality scale	Color coordinate cie 1931	Color coordinate cie 1931	Color coordinate	Color coordinate	Color deviation from black body
CCT	CRI	CRI R9	TM30 Rf	TM30 Rg	CQS	x	y	u	v	Δuv
3000 K	90.0	50.5	89.0	99.4	88.7	0.437	0.404	0.249	0.348	0.0010

Beam details



Beam angles

Beam angle 50%	Field angle 10%	Cutoff angle 2,5%
12.2°	25.1°	37.1°

Beam intensities

Peak intensity	Int. ratio in 120° cone	Int. ratio in 90° cone
25531 cd	99.5%	97.6%

Beam intensities from 1-20m

1m	2m	3m	4m	5m	6m	7m	8m	9m	10m	11m	12m	13m	14m	15m	16m	17m	18m	19m	20m
3.3ft	6.6ft	9.8ft	13.1ft	16.4ft	19.7ft	23ft	26.2ft	29.5ft	32.8ft	36.1ft	39.4ft	42.7ft	45.9ft	49.2ft	52.5ft	55.8ft	59.1ft	62.3ft	65.6ft
25531lx	6383lx	2837lx	1596lx	1021lx	709lx	521lx	399lx	315lx	255lx	211lx	177lx	151lx	130lx	113lx	100lx	88lx	79lx	71lx	64lx
2371.9fcd	593fcd	263.5fcd	148.2fcd	94.9fcd	65.9fcd	48.4fcd	37.1fcd	29.3fcd	23.7fcd	19.6fcd	16.5fcd	14fcd	12.1fcd	10.5fcd	9.3fcd	8.2fcd	7.3fcd	6.6fcd	5.9fcd

The above information is for 3000K colour temperature, for specific module information please see LED spec located on our website

For information regarding other colour temperatures please use the following factors for lumen output and candelas:

2700K = 1
4000K = 1.084

Light efficiency:

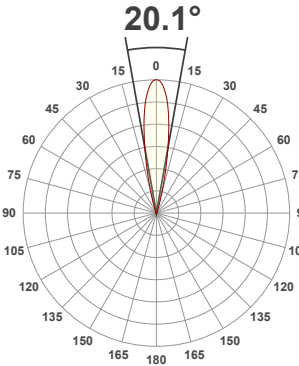
61 Lumen/Watt

Light quality:

CRI: 90.3

Color temperature:

3000 K



Product name:

090+XL-13-LED - LED71-30-19-700mA

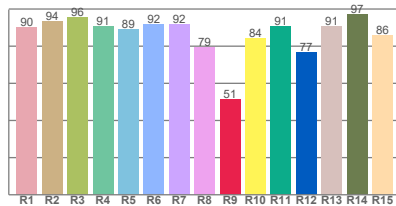
Item number:

Plus XL Bevel Fixed - LED71-30-19-700mA

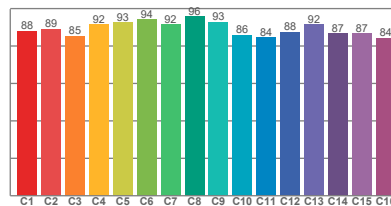
Delivered information for above fixture and LED combination.

Output: 1644 Lumen Peak intensity: 11577 cd Power consumption: 27.0

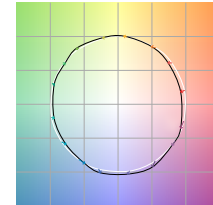
CRI R values



TM30 C Values

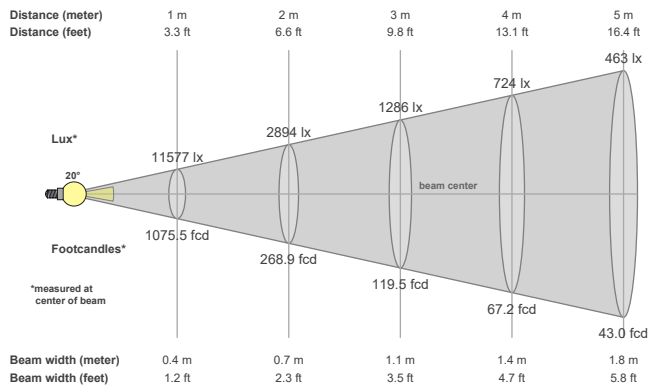


Color vector graphics



Color temperature	Color rendering index	Red component	Color fidelity	Color gamut	Color quality scale	Color coordinate cie 1931	Color coordinate cie 1931	Color coordinate	Color coordinate	Color deviation from black body
CCT	CRI	CRI R9	TM30 Rf	TM30 Rg	CQS	x	y	u	v	Δuv
3000 K	90.3	51.2	89.3	99.2	89.0	0.437	0.404	0.249	0.348	0.0008

Beam details



Beam angels

Beam angle 50%	Field angle 10%	Cutoff angle 2,5%
20.1°	33.6°	45.5°

Beam intensities

Peak intensity	Int. ratio in 120° cone	Int. ratio in 90° cone
11577 cd	99.3%	97.4%

Beam intensities from 1-20m

1m	2m	3m	4m	5m	6m	7m	8m	9m	10m	11m	12m	13m	14m	15m	16m	17m	18m	19m	20m
3.3ft	6.6ft	9.8ft	13.1ft	16.4ft	19.7ft	23ft	26.2ft	29.5ft	32.8ft	36.1ft	39.4ft	42.7ft	45.9ft	49.2ft	52.5ft	55.8ft	59.1ft	62.3ft	65.6ft
11577lx	2894lx	1286lx	724lx	463lx	322lx	236lx	181lx	143lx	116lx	96lx	80lx	69lx	59lx	51lx	45lx	40lx	36lx	32lx	29lx
1075.5fcd	268.9fcd	119.5fcd	67.2fcd	43fcd	29.9fcd	21.9fcd	16.8fcd	13.3fcd	10.8fcd	8.9fcd	7.5fcd	6.4fcd	5.5fcd	4.8fcd	4.2fcd	3.7fcd	3.3fcd	3fcd	2.7fcd

The above information is for 3000K colour temperature, for specific module information please see LED spec located on our website

For information regarding other colour temperatures please use the following factors for lumen output and candelas:

2700K = 1

4000K = 1.084

Light efficiency:

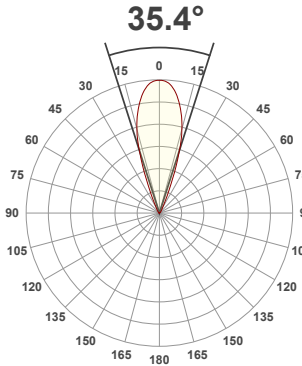
62 Lumen/Watt

Light quality:

CRI: 90.0

Color temperature:

3050 K



Product name:

090+XL-13-LED - LED71-30-34-700mA

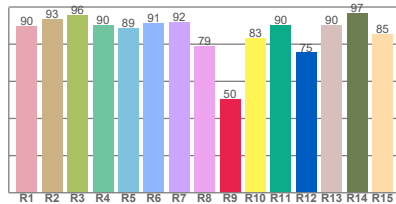
Item number:

Plus XL Bevel Fixed - LED71-30-34-700mA

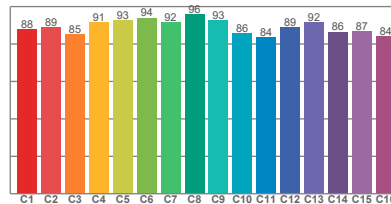
Delivered information for above fixture and LED combination.

Output: 1692 Lumen Peak intensity: 4676 cd Power consumption: 27.4

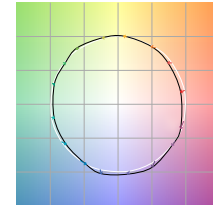
CRI R values



TM30 C Values

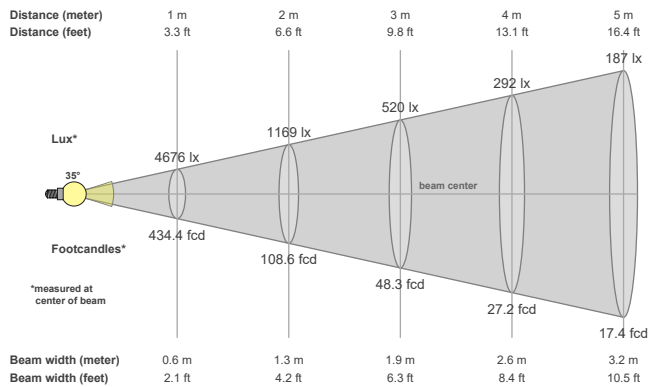


Color vector graphics



Color temperature	Color rendering index	Red component	Color fidelity	Color gamut	Color quality scale	Color coordinate cie 1931	Color coordinate cie 1931	Color coordinate	Color coordinate	Color deviation from black body
CCT	CRI	CRI R9	TM30 Rf	TM30 Rg	CQS	x	y	u	v	Δuv
3050 K	90.0	50.2	89.1	99.2	88.8	0.435	0.406	0.249	0.348	0.0011

Beam details



Beam angles

Beam angle 50%	Field angle 10%	Cutoff angle 2,5%
35.4°	52°	76.4°

Beam intensities

Peak intensity	Int. ratio in 120° cone	Int. ratio in 90° cone
4676 cd	99.5%	97.3%

Beam intensities from 1-20m

1m	2m	3m	4m	5m	6m	7m	8m	9m	10m	11m	12m	13m	14m	15m	16m	17m	18m	19m	20m
3.3ft	6.6ft	9.8ft	13.1ft	16.4ft	19.7ft	23ft	26.2ft	29.5ft	32.8ft	36.1ft	39.4ft	42.7ft	45.9ft	49.2ft	52.5ft	55.8ft	59.1ft	62.3ft	65.6ft
4676lx	1169lx	520lx	292lx	187lx	130lx	95lx	73lx	58lx	47lx	39lx	32lx	28lx	24lx	21lx	18lx	16lx	14lx	13lx	12lx
434.4fcd	108.6fcd	48.3fcd	27.2fcd	17.4fcd	12.1fcd	8.9fcd	6.8fcd	5.4fcd	4.3fcd	3.6fcd	3fcd	2.6fcd	2.2fcd	1.9fcd	1.7fcd	1.5fcd	1.3fcd	1.2fcd	1.1fcd

The above information is for 3000K colour temperature, for specific module information please see LED spec located on our website

For information regarding other colour temperatures please use the following factors for lumen output and candelas:

2700K = 1
4000K = 1.084

Light efficiency:

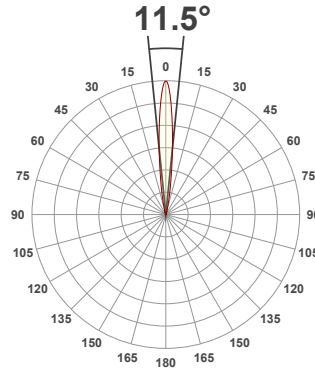
57 Lumen/Watt

Light quality:

CRI: 97.9

Color temperature:

3000 K



Product name:

090+XL-13-LED - LED71_U-30-12-700mA

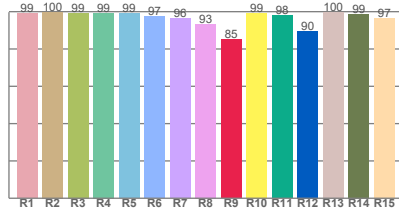
Item number:

PlusXL Bevel Fixed - LED71/U-30-12-700mA

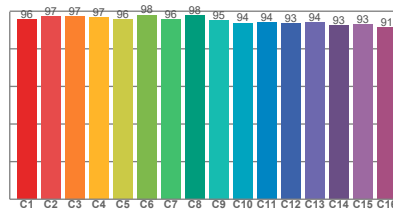
Delivered information for above fixture and LED combination.

Output: 1550 Lumen Peak intensity: 22499 cd Power consumption: 27.0

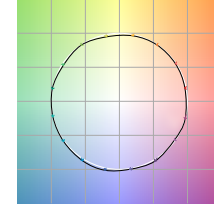
CRI R values



TM30 C Values

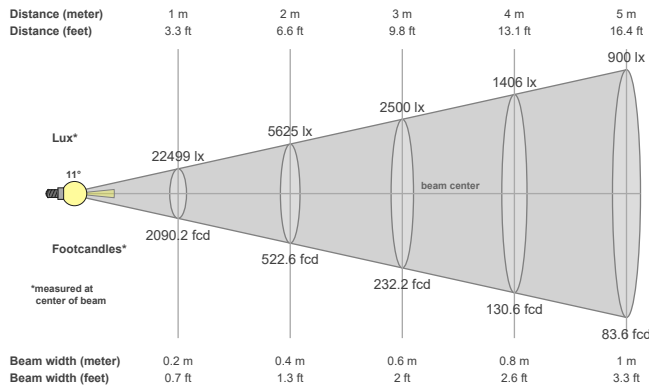


Color vector graphics



Color temperature	Color rendering index	Red component	Color fidelity	Color gamut	Color quality scale	Color coordinate cie 1931	Color coordinate cie 1931	Color coordinate	Color coordinate	Color deviation from black body
CCT	CRI	CRI R9	TM30 Rf	TM30 Rg	CQS	x	y	u	v	Δuv
3000 K	97.9	85.2	95.2	99.6	95.8	0.437	0.404	0.250	0.347	-0.0003

Beam details



Beam angles

Beam angle 50%	Field angle 10%	Cutoff angle 2,5%
11.5°	24°	35.4°

Beam intensities

Peak intensity	Int. ratio in 120° cone	Int. ratio in 90° cone
22499 cd	99.3%	96.9%

Beam intensities from 1-20m

1m	2m	3m	4m	5m	6m	7m	8m	9m	10m	11m	12m	13m	14m	15m	16m	17m	18m	19m	20m
3.3ft	6.6ft	9.8ft	13.1ft	16.4ft	19.7ft	23ft	26.2ft	29.5ft	32.8ft	36.1ft	39.4ft	42.7ft	45.9ft	49.2ft	52.5ft	55.8ft	59.1ft	62.3ft	65.6ft
22499lx	5625lx	2500lx	1406lx	900lx	625lx	459lx	352lx	278lx	225lx	186lx	156lx	133lx	115lx	100lx	88lx	78lx	69lx	62lx	56lx
2090.2fcd	522.6fcd	232.2fcd	130.6fcd	83.6fcd	58.1fcd	42.7fcd	32.7fcd	25.8fcd	20.9fcd	17.3fcd	14.5fcd	12.4fcd	10.7fcd	9.3fcd	8.2fcd	7.2fcd	6.5fcd	5.8fcd	5.2fcd

The above information is for 3000K colour temperature, for specific module information please see LED spec located on our website

For information regarding other colour temperatures please use the following factors for lumen output and candelas:

2700K = 1

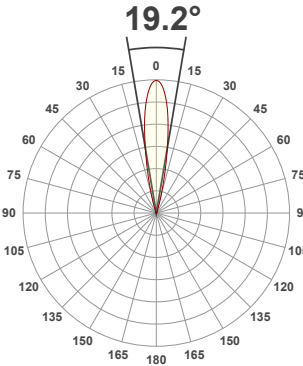
Light efficiency:



Light quality:



Color temperature:



Product name:

**090+XL-13-LED -
LED71_U-30-19-700mA**

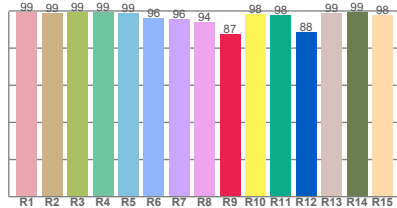
Item number:

**PlusXL Bevel Fixed - LED71/
U-30-19-700mA**

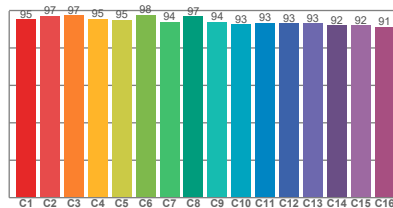
**Delivered information for above
fixture and LED combination.**

Output: 1328 Lumen Peak intensity: 10048 cd Power consumption: 27.0

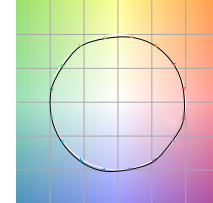
CRI R values



TM30 C Values

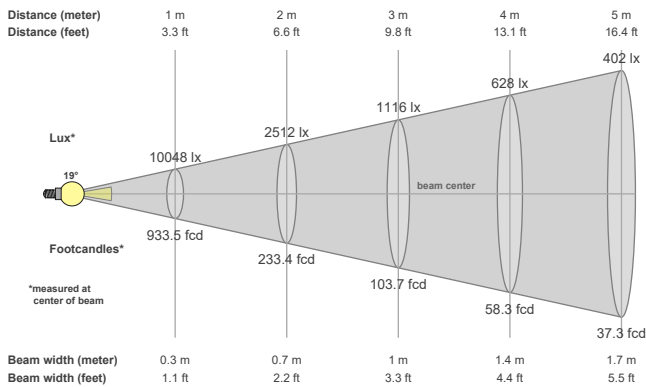


Color vector graphics



Color temperature	Color rendering index	Red component	Color fidelity	Color gamut	Color quality scale	Color coordinate cie 1931	Color coordinate cie 1931	Color coordinate	Color coordinate	Color deviation from black body
CCT	CRI	CRI R9	TM30 Rf	TM30 Rg	CQS	x	y	u	v	Δuv
3000 K	97.5	87.4	94.6	99.5	95.6	0.437	0.404	0.250	0.346	-0.0012

Beam details



Beam angels

Beam angle 50%	Field angle 10%	Cutoff angle 2,5%
19.2°	32.7°	43°

Beam intensities

Peak intensity	Int. ratio in 120° cone	Int. ratio in 90° cone
10048 cd	99.4%	97.2%

Beam intensities from 1-20m

1m	2m	3m	4m	5m	6m	7m	8m	9m	10m	11m	12m	13m	14m	15m	16m	17m	18m	19m	20m
3.3ft	6.6ft	9.8ft	13.1ft	16.4ft	19.7ft	23ft	26.2ft	29.5ft	32.8ft	36.1ft	39.4ft	42.7ft	45.9ft	49.2ft	52.5ft	55.8ft	59.1ft	62.3ft	65.6ft
10048lx	2512lx	1116lx	628lx	402lx	279lx	205lx	157lx	124lx	100lx	83lx	70lx	59lx	51lx	45lx	39lx	35lx	31lx	28lx	25lx
933.5fcd	233.4fcd	103.7fcd	58.3fcd	37.3fcd	25.9fcd	19.1fcd	14.6fcd	11.5fcd	9.3fcd	7.7fcd	6.5fcd	5.5fcd	4.8fcd	4.1fcd	3.6fcd	3.2fcd	2.9fcd	2.6fcd	2.3fcd

The above information is for 3000K colour temperature, for specific module information please see LED spec located on our website

For information regarding other colour temperatures please use the following factors for lumen output and candelas:

2700K = 1

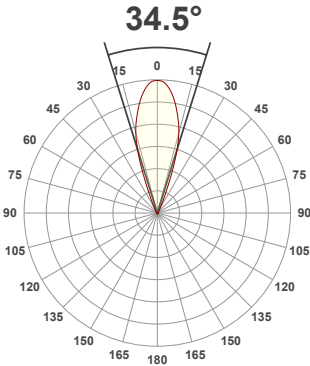
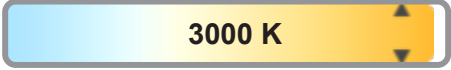
Light efficiency:



Light quality:



Color temperature:



Product name:

090+XL-13-LED - LED71_U-30-34-700mA

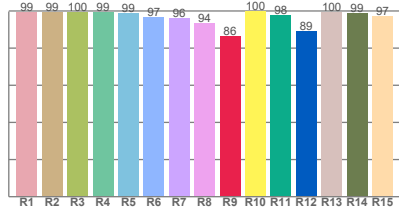
Item number:

PlusXL Bevel Fixed - LED71/U-30-34-700mA

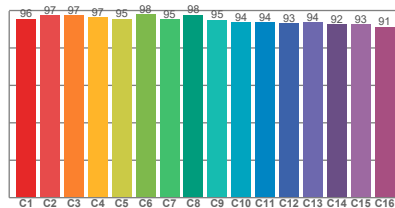
Delivered information for above fixture and LED combination.

Output: 1404 Lumen Peak intensity: 4164 cd Power consumption: 27.0

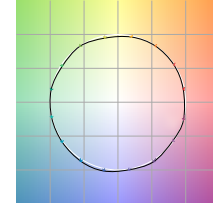
CRI R values



TM30 C Values

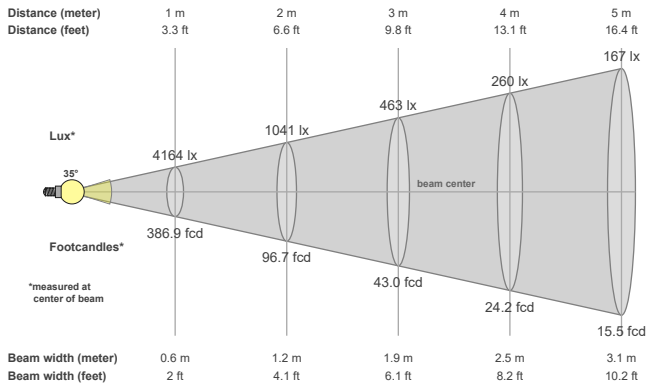


Color vector graphics



Color temperature	Color rendering index	Red component	Color fidelity	Color gamut	Color quality scale	Color coordinate cie 1931	Color coordinate cie 1931	Color coordinate	Color coordinate	Color deviation from black body
CCT	CRI	CRI R9	TM30 Rf	TM30 Rg	CQS	x	y	u	v	Δuv
3000 K	97.9	86.4	95.1	99.8	95.8	0.437	0.404	0.250	0.346	-0.0008

Beam details



Beam angels

Beam angle 50%	Field angle 10%	Cutoff angle 2,5%
34.5°	50.2°	72.9°

Beam intensities

Peak intensity	Int. ratio in 120° cone	Int. ratio in 90° cone
4164 cd	99.5%	97.3%

Beam intensities from 1-20m

1m	2m	3m	4m	5m	6m	7m	8m	9m	10m	11m	12m	13m	14m	15m	16m	17m	18m	19m	20m
3.3ft	6.6ft	9.8ft	13.1ft	16.4ft	19.7ft	23ft	26.2ft	29.5ft	32.8ft	36.1ft	39.4ft	42.7ft	45.9ft	49.2ft	52.5ft	55.8ft	59.1ft	62.3ft	65.6ft
4164lx	1041lx	463lx	260lx	167lx	116lx	85lx	65lx	51lx	42lx	34lx	29lx	25lx	21lx	19lx	16lx	14lx	13lx	12lx	10lx
386.9fcd	96.7fcd	43fcd	24.2fcd	15.5fcd	10.7fcd	7.9fcd	6fcd	4.8fcd	3.9fcd	3.2fcd	2.7fcd	2.3fcd	2fcd	1.7fcd	1.5fcd	1.3fcd	1.2fcd	1.1fcd	1fcd

The above information is for 3000K colour temperature, for specific module information please see LED spec located on our website

For information regarding other colour temperatures please use the following factors for lumen output and candelas:

2700K = 1