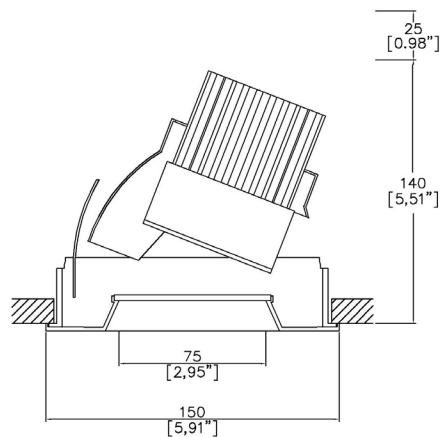


ProSpex Plus XL Bevel Accent Trim



150mm (5.90") overall trim diameter. Available with standard trim kit or plaster-in kit for flush appearance. Family of matching products also available. Up to 35° tilt. Required depth height + 25mm^



093+XL-13-LED-TR
Cut-out 142mm Ø

LED Source	LED71/U	LED71/U	LED71/U
CCT	3000K	3000K	3000K
Drive Current	700mA	700mA	700mA
Power inc Driver	27W	27W	27W
Beam Angle	12°	19°	34°
Delivered Lumens	1422	1261	1353
Delivered Intensisty cd	19368	9445	3908
Efficacy lm/w	53	47	50
Forward Volt	33V	33V	33V
CRI	≥98 CRI	≥98 CRI	≥98 CRI

Project Ref: _____

Location Ref: _____

Fixture Order Code:



Fixture

093+XL-13-LED-TR Plus XL Bevel Accent Trim with LED71

Finish

WH White
 BK Black
 RAL Custom RAL Colour*

IP Rating

44 IP44

Emergency

E Maintained 3hr Emergency
 ED Maintained 3hr DALI Self Test
 ES Maintained 3hr Self Test



LED Order Code:



LED

LED71/U LED70 ONE ULTRA

CCT

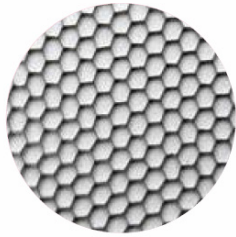
927 90 CRI 2700K
 930 90 CRI 3000K

Beam

12 12°
 19 19°
 34 34°

Protocol

S Non-Dim
 A Analogue (0-10v)
 P Phase
 D DALI
 B Bluetooth**



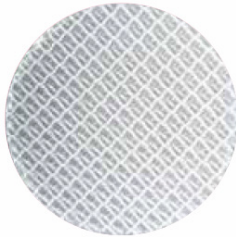
Honeycomb Louvre



Diffusing Lens



Frosted Lens



Heavy Spread Lens



Linear Spread Lens



Warm Tone

Accessories Order Code:

Louvre/Lens

- MN71 Honeycomb Louvre
- MDCC Warm Tone Lens
- MDUV UV Lens
- MDDF Diffusing Lens
- MDFR Frosted Lens
- MDLS Linear Spread Lens
- MDHS Heavy Spread Lens

Technical Details

*Custom RAL code must be specified. Custom RAL colours can increase prices and lead times

Dimming. Whilst Lucent can offer the majority of its luminaires with various dimming options, it remains the responsibility of the specifier/installer to check and ensure compatibility of any control equipment used. Additional cabling may be required depending on the dimming protocol specified.

**Bluetooth (wireless) is the communication method. The exact dimming protocol must be confirmed to allow the selection of suitable drivers or bluetooth devices.

^ Depth indicated is the minimum recess depth for the luminaire with a remote mounted LED driver. Installing a driver through either the luminaire cut-out or installation kit may require additional recess depth, please refer to the relevant luminaire installation instructions for further details. Data correct at time of publishing

First Fix Requirement. Luminaire comprised of fixture body with ceiling trim and installation kit, which is to be fitted into the ceiling once finished. Ensure correct alignment of the installation kit before final assembly (see luminaire installation instructions for details)

IP Rating. Tested from underside of the ceiling

It is the policy of Lucent Lighting to continually review and improve its products and therefore reserve the right to change any details of product or withdraw specifications without prior notice.

Luminaires designed to comply with EN60598 and all other standards.

This specification sheet supersedes all previous versions.

All intellectual property rights pertaining to the product described above and to this document are owned by or licensed to Lucent Lighting Ltd.

We reserve the right to take whatever action is necessary to protect those intellectual property rights.

Please notify Lucent Lighting Ltd of any inaccuracies immediately. E&OE

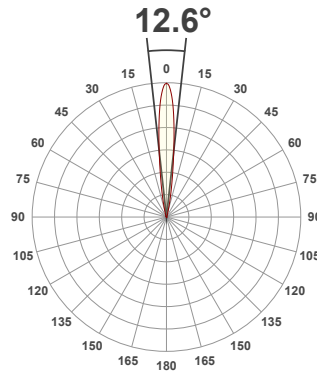
Light efficiency:



Light quality:



Color temperature:



Product name:

093+XL-13-LED - LED71_U-30-12-700mA

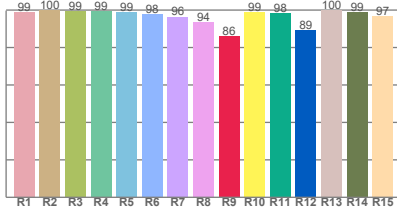
Item number:

Plus XL Bevel Accent - LED71/U-30-12-700mA

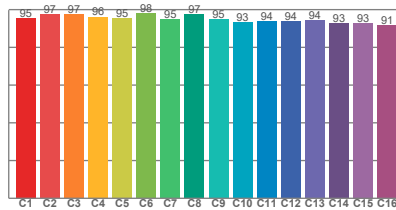
Delivered information for above fixture and LED combination.

Output: 1422 Lumen Peak intensity: 19368 cd Power consumption: 27.0

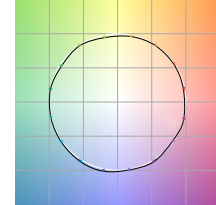
CRI R values



TM30 C Values

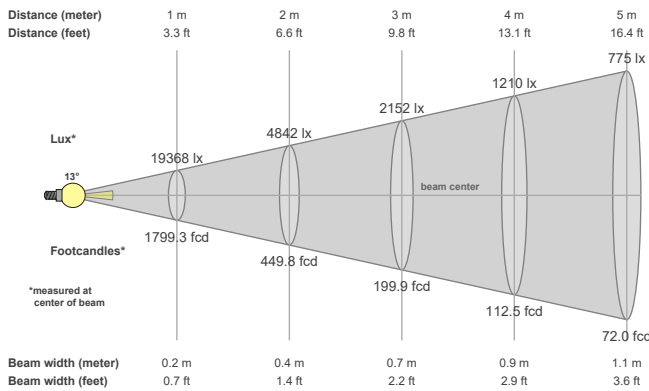


Color vector graphics



Color temperature	Color rendering index	Red component	Color fidelity	Color gamut	Color quality scale	Color coordinate cie 1931	Color coordinate cie 1931	Color coordinate	Color coordinate	Color deviation from black body
CCT	CRI	CRI R9	TM30 Rf	TM30 Rg	CQS	x	y	u	v	Δuv
3000 K	98.0	85.8	95.1	99.4	95.8	0.437	0.404	0.249	0.347	0.0002

Beam details



Beam angles

Beam angle 50%	Field angle 10%	Cutoff angle 2,5%
12.6°	25.1°	36.9°

Beam intensities

Peak intensity	Int. ratio in 120° cone	Int. ratio in 90° cone
19368 cd	99.7%	99.3%

Beam intensities from 1-20m

1m	2m	3m	4m	5m	6m	7m	8m	9m	10m	11m	12m	13m	14m	15m	16m	17m	18m	19m	20m
3.3ft	6.6ft	9.8ft	13.1ft	16.4ft	19.7ft	23ft	26.2ft	29.5ft	32.8ft	36.1ft	39.4ft	42.7ft	45.9ft	49.2ft	52.5ft	55.8ft	59.1ft	62.3ft	65.6ft
19368lx	4842lx	2152lx	1210lx	775lx	538lx	395lx	303lx	239lx	194lx	160lx	134lx	115lx	99lx	86lx	76lx	67lx	60lx	54lx	48lx
1799.3fcd	449.8fcd	199.9fcd	112.5fcd	72fcd	50fcd	36.7fcd	28.1fcd	22.2fcd	18fcd	14.9fcd	12.5fcd	10.6fcd	9.2fcd	8fcd	7fcd	6.2fcd	5.6fcd	5fcd	4.5fcd

The above information is for 3000K colour temperature, for specific module information please see LED spec located on our website

For information regarding other colour temperatures please use the following factors for lumen output and candelas:

2700K = 1

Light efficiency:

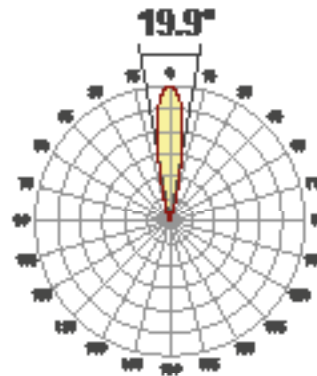
47 Lumen/Watt

Light quality:

CRI: 97.5

Color temperature:

3000 K



Product name:

093+XL-13-LED -
LED71_U-30-19-700mA

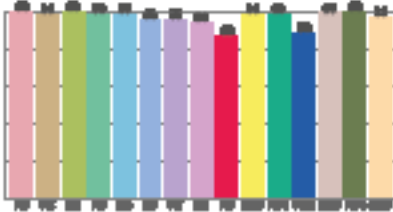
Item number:

PlusXL Bevel Accent - LED71/
U-30-19-700mA

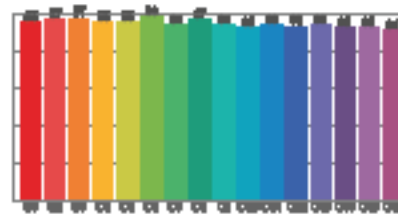
Delivered information for above
fixture and LED combination.

Output: 1261 Lumen Peak intensity: 9445 cd Power consumption: 27.0

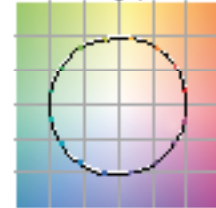
CRI R values



TM30 C Values

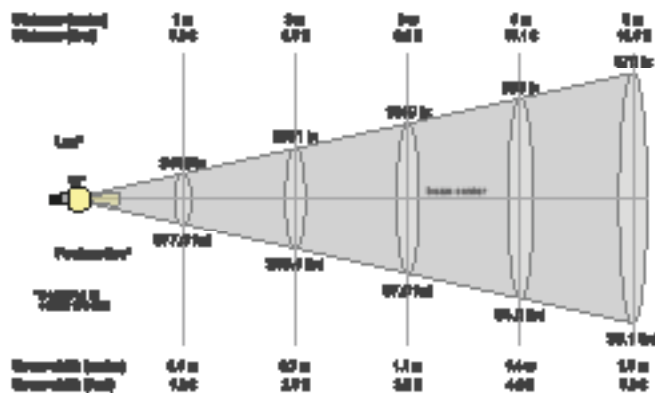


Color vector graphics



Color vector	Color vector C1-R15	Red vector	Color vector	Green	Blue vector	Color vector C1-R15	Color vector C1-R15	Color vector	Color vector	Color vector C1-R15
OCT	CRI	CRI R9	TM30 R7	TM30 R9	CRI	X	Y	U	V	Z
3000K	97.5	97.8	94.6	99.4	96.8	0.437	0.404	0.248	0.248	-0.0012

Beam angle



Beam angle

Beam angle 50%	Field angle 90%	Cutoff angle 2.0%
19.9°	32.7°	44.2°

Beam intensity

Peak intensity	Int. ratio to 120° cone	Int. ratio to 90° cone
9445 cd	88.8%	88.1%

Beam intensities from 1-20m

1m	2m	3m	4m	5m	6m	7m	8m	9m	10m	11m	12m	13m	14m	15m	16m	17m	18m	19m	20m
3.3ft	6.6ft	9.8ft	13.1ft	16.4ft	19.7ft	23ft	26.2ft	29.5ft	32.8ft	36.1ft	39.4ft	42.7ft	45.9ft	49.2ft	52.5ft	55.8ft	59.1ft	62.3ft	65.6ft
9445lx	2361lx	1049lx	590lx	378lx	262lx	193lx	149lx	117lx	94lx	78lx	66lx	56lx	48lx	42lx	37lx	33lx	29lx	26lx	24lx
877.5cd	219.4cd	97.5cd	54.8cd	35.1cd	24.4cd	17.9cd	13.7cd	10.8cd	8.8cd	7.3cd	6.1cd	5.2cd	4.5cd	3.9cd	3.4cd	3cd	2.7cd	2.4cd	2.2cd

The above information is for 3000K colour temperature, for specific module information please see LED spec located on our website

For information regarding other colour temperatures please use the following factors for lumen output and candelas:

2700K = 1

Light efficiency:

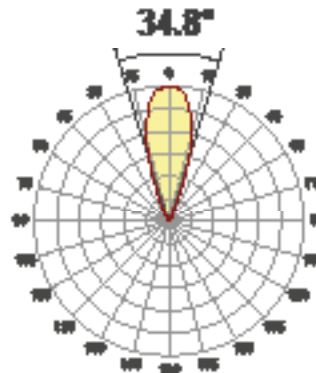
50 Lumen/Watt

Light quality:

CRI: 97.8

Color temperature:

3000 K



Product name:

093+XL-13-LED -
LED71_U-30-34-700mA

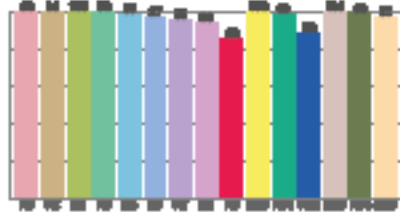
Item number:

PlusXL Bevel Accent - LED71/
U-30-34-700mA

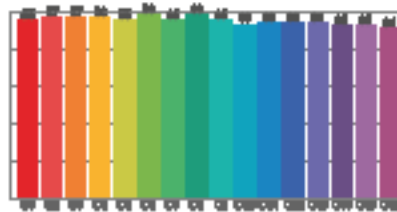
Delivered information for above
fixture and LED combination.

Output: 1353 Lumen Peak intensity: 3908 cd Power consumption: 27.0

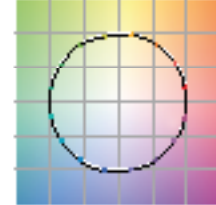
CRI R values



TM30 C Values

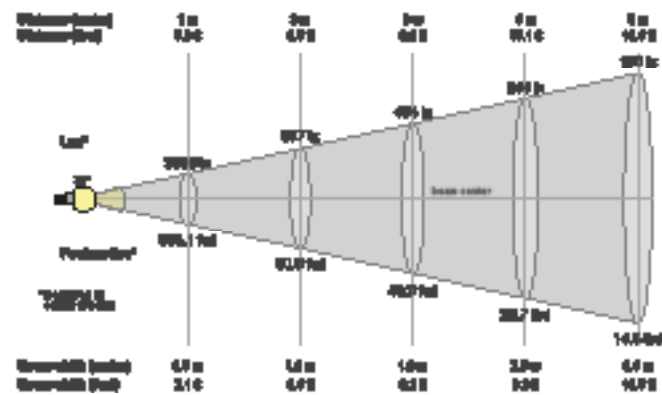


Color vector graphics



Color vector	Color vector CIE94	Red vector	Green vector	Blue vector	White vector	Color vector CIE94	Color vector CIE94	Color vector CIE94	Color vector CIE94	Color vector CIE94
OCT	C90	C90 R9	T90 G9	T90 B9	C90	X	Y	Z	X	Y
3000 K	97.8	98.8	96.8	99.7	96.8	0.437	0.404	0.248	0.248	0.000

Beam angle



Beam angle

Beam angle 50%	Field angle 50%	Cutoff angle 2.0%
34.8°	62.7°	88.2°

Beam intensity

Peak intensity	Int. ratio to 120° cone	Int. ratio to 60° cone
3908 cd	88.3%	88.1%

Beam intensities from 1-20m

1m	2m	3m	4m	5m	6m	7m	8m	9m	10m	11m	12m	13m	14m	15m	16m	17m	18m	19m	20m
3.3ft	6.6ft	9.8ft	13.1ft	16.4ft	19.7ft	23ft	26.2ft	29.5ft	32.8ft	36.1ft	39.4ft	42.7ft	45.9ft	49.2ft	52.5ft	55.8ft	59.1ft	62.3ft	65.6ft
3908lx	977lx	434lx	244lx	156lx	109lx	80lx	61lx	48lx	39lx	32lx	27lx	23lx	20lx	17lx	15lx	14lx	12lx	11lx	10lx
363.1cd	90.8cd	40.3cd	22.7cd	14.5cd	10.1cd	7.4cd	5.7cd	4.5cd	3.6cd	3cd	2.5cd	2.1cd	1.9cd	1.6cd	1.4cd	1.3cd	1.1cd	1cd	0.9cd

The above information is for 3000K colour temperature, for specific module information please see LED spec located on our website

For information regarding other colour temperatures please use the following factors for lumen output and candelas:

2700K = 1