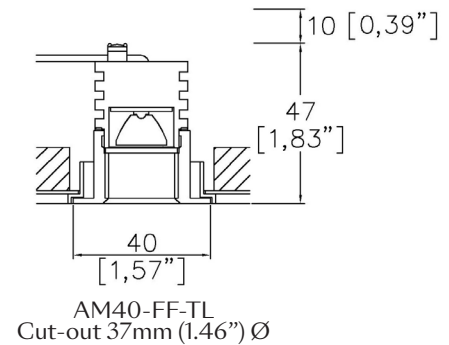
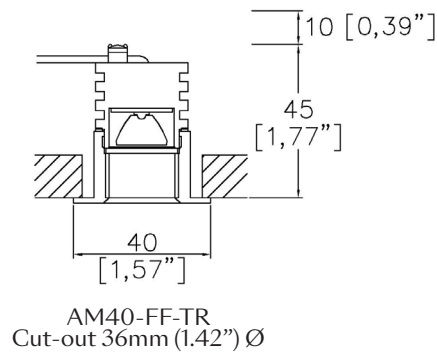


# Micro40 Focus Fixed



Micro40 provides fully recessed downlight for interior installation. Micro40 products include round and square variants in 1.57" trim. Include adjustable and fixed in a flanged or trimless installation kit. Available in 3 color temperatures and various beam angles. TRIAC/Phase, 0-10V/1-10V, DMX and DALI/digital dimming.



**Installation kit for overlap flange**  
Springs attached to fixture

**Mud-in kit for seamless/trimless**

	LED	LED	LED
LED Source	LED	LED	LED
CCT	3000K	3000K	3000K
Drive Current	500mA	500mA	500mA
Power inc Driver	1.8W	1.8W	1.8W
Beam Angle	15°	25°	18°x33°
Delivered Lumens	119	128	110
Delivered Intensity cd	1092	658	532
Efficacy lm/w	66	71	61
Forward Volt	3V	3V	3V
CRI	≥90 CRI	≥90 CRI	≥90 CRI

Project Ref: \_\_\_\_\_

Location Ref: \_\_\_\_\_

Specify fixture part number (All boxes must be filled in to correctly order)

<b>AM40-FF</b>								
<b>Installation</b>								
<b>TR</b>	Flange							
<b>TL</b>	Trimless							
<b>Finish</b>								
<b>WH</b>	White							
<b>BK</b>	Black							
<b>Ceiling Thickness</b>								
<b>SC</b>	Standard Ceiling (1/2"-5/8"-3/4")							
<b>C</b>	Custom							
<b>CCT</b>								
<b>27</b>	2700K							
<b>30</b>	3000K							
<b>40</b>	4000K							
<b>Beam Angles</b>								
<b>15</b>	15							
<b>25</b>	25							
<b>18x33</b>	18x33							
<b>Supply Voltage</b>								
<b>120</b>	120V							
<b>277</b>	277V							
<b>Dimming Protocol<sup>^</sup></b>								

- S** Non-Dimmable
- P** TRIAC/Phase (120V ONLY) (25-10% Minimum Dimming)\*\*\*
- LP** Lutron Forward Phase 2-Wire (1% Dimming) (120V ONLY)
- ESS** EcoSystem 5-Series (5% Dimming)
- LHE** EcoSystem Hi-Lume Fade to Black (1% Dimming)
- LAE** Lutron 3-Wire Hi-Lume (1% Dimming)
- LHP** Lutron Hi-Lume Premier EcoSystem (0.1% Dimming)
- A** 0-10V (15-5% Minimum Dimming)\*\*\*
- ESD** EldoLED Solo DALI2 (0.1% Dimming)
- EED** EldoLED Eco DALI2 (1% Dimming)
- ESA** EldoLED Solo 0-10V/1-10V (0.1% Dimming)
- EEA** EldoLED Eco 0-10V/1-10V (1% Dimming)
- B** Bluetooth\*\*

\*Refer to Technical Details for more information

<sup>^</sup>Not all power supplies are available for single connection, some require series connection with multiple fittings. Consult Lucent Lighting Inc for more information.

### Technical Details

\*Custom color requires a paint chip or RAL code and may increase price and lead-time

It is the responsibility of the specifier/integrator/installer to check and ensure compatibility of any control equipment used. Additional cabling may be required depending on the dimming protocol specified.

\*\*Bluetooth (wireless) is a communication protocol. The exact dimming protocol must be confirmed to allow the selection of suitable drivers or Bluetooth devices.

\*\*\*Non specific driver type, dimming performance depending on exact driver used. Contact Lucent Lighting for more information.

^ Depth indicated is the minimum recess depth for the luminaire with a remote mounted LED driver. Installing a driver through either the luminaire cut-out or installation kit may require additional recess depth, please refer to the relevant installation instructions prior to purchase.

First Fix Requirement. Luminaire comprised of fixture body with ceiling trim and installation kit, which is to be fitted into the ceiling once finished. Ensure correct alignment of the installation kit before final assembly (see luminaire installation instructions for details)

Location. Tested from underside of the ceiling.

Data correct at time of publishing. It is the policy of Lucent Lighting to continually review and improve its products and therefore reserve the right to change any details of product or withdraw specifications without prior notice.

This specification sheet supersedes all previous versions.

All intellectual property rights pertaining to the product described above and to this document are owned by or licensed to Lucent Lighting, Incorporated. Lucent Lighting reserves the right to take whatever action is necessary to protect its intellectual property, patents and trademarks

Please notify Lucent Lighting Inc. inaccuracies. E&OE

