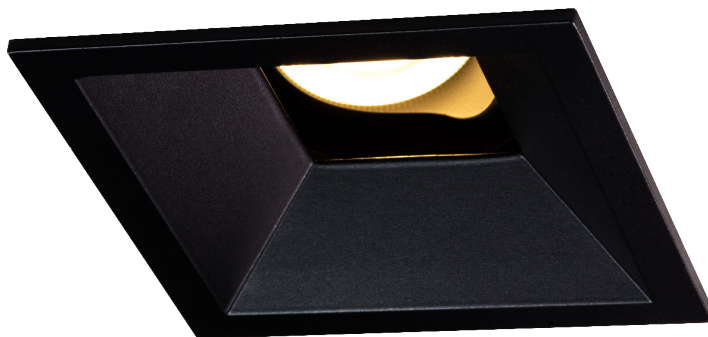
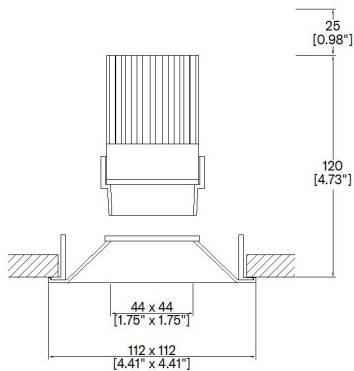


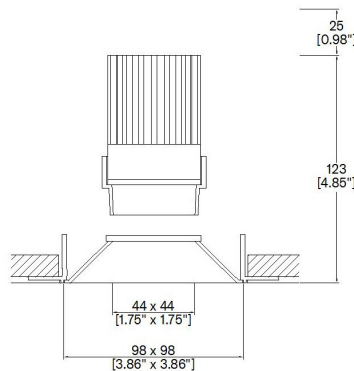
Plus3.5 Pyramidal Fixed



Plus provides high performance electronics and architectural aesthetics in round and square 3.5” and 5” trim. Plus products include adjustable, fixed and wallwash in a flanged or trimless installation kit. Adjustable can be provided with gear driven adjustment or manual adjustment. Available in various front plates (Conical, Bevel, Edge, Pyramidal and Square Bevel) Bevel and Square Bevel available with various color inserts. Tray, retrofit and housing installation methods (NIC, IC, AT, T24 and CCEA) Multiple configurations for equal spacing also available. Lucent modules available in a wide range of color temperatures, beam angles, intensities, and effects (Ambiance WarmDim and Dynamic Tuneable White). MR16 and GU10 LED lamp options available. TRIAC/Phase, 0-10v/1-10v, DMX and DALI/Digital dimming.



A090+LED-TR-SQ
Cut-out 102 x 102mm
(4.02" x 4.02")



A090+LED-TL-SQ
Cut-out 102 x 102mm
(4.02" x 4.02")



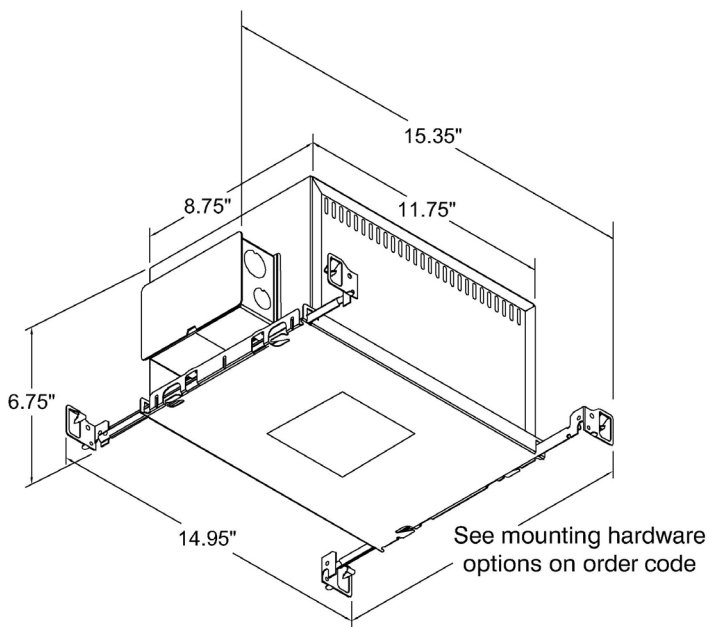
Installation kit for overlap flange



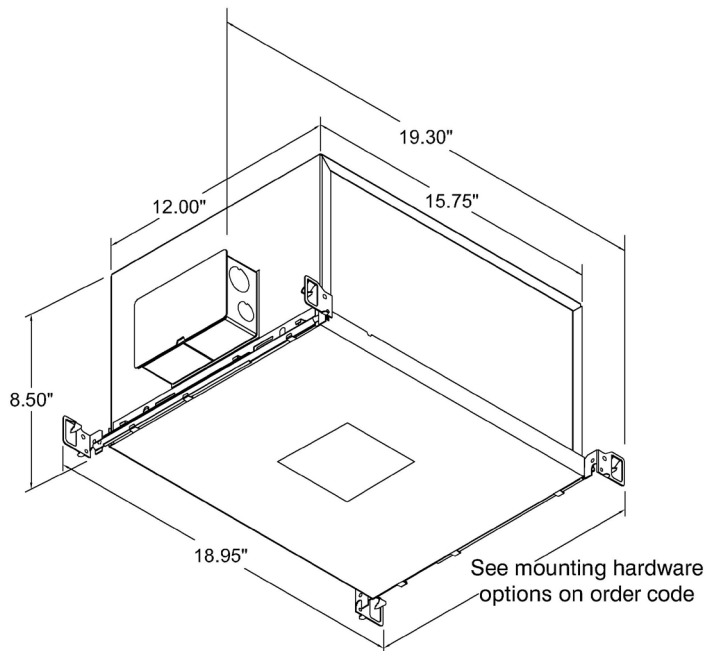
Mud-in kit for seamless/trimless

LED Source	LED51/2	LED51/2	LED51/2	LED51/2	LED51/U	LED51/U	LED51/U	LED51/U
CCT	3000K	3000K	3000K	3000K	3000K	3000K	3000K	3000K
Drive Current	350mA	350mA	350mA	350mA	350mA	350mA	350mA	350mA
Power inc Driver	13.6W	13.6W	13.6W	13.6W	13.6W	13.6W	13.6W	13.6W
Beam Angle	12°	24°	38°	55°	12°	24°	38°	55°
Delivered Lumens	774	807	914	830	692	688	828	697
Delivered Intensity cd	10012	4232	2639	1151	9497	3945	2168	988
Efficacy lm/w	57	59	67	61	51	51	61	51
Forward Volt	33V	33V	33V	33V	33V	33V	33V	33V
CRI	≥90 CRI	≥90 CRI	≥90 CRI	≥90 CRI	≥98 CRI	≥98 CRI	≥98 CRI	≥98 CRI

Housing dimensions

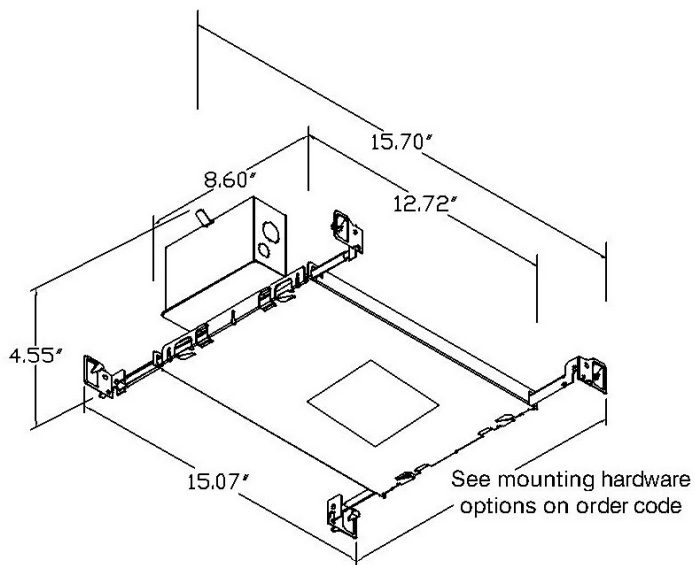


LH-6.75
Non-insulated ceilings



LH-8.50
Insulated/air-tight ceilings and
Chicago Plenum

Tray dimensions



LMT-13
Non-insulated ceilings



Honeycomb Louvre (LL45)



Solite/Diffusing Lens (LLDF)



Frosted Lens (LLFR)



Heavy Spread Lens (LLHS)



Linear Spread Lens (LLLS)



Warm Tone (LLCC)

Technical Details

*Custom color requires a paint chip or RAL code and may increase price and lead-time

It is the responsibility of the specifier/integrator/installer to check and ensure compatibility of any control equipment used. Additional cabling may be required depending on the dimming protocol specified.

**DALI Type 6 requires two DALI addresses, one for CCT control the other for intensity control. DALI Type 8 is a single DALI Type 8 address for CCT and intensity control. Please check which control system is being used before specifying.

**** Available for integration with Lutron Athena Control systems. Please contact Lucent Lighting Inc./Lutron factory for further details.

^ Depth indicated is the minimum recess depth for the luminaire with a remote mounted LED driver. Installing a driver through either the luminaire cut-out or installation kit may require additional recess depth, please refer to the relevant installation instructions prior to purchase.

First Fix Requirement. Luminaire comprised of fixture body with ceiling trim and installation kit, which is to be fitted into the ceiling once finished. Ensure correct alignment of the installation kit before final assembly (see luminaire installation instructions for details)

Location. Tested from underside of the ceiling.

Data correct at time of publishing. It is the policy of Lucent Lighting to continually review and improve its products and therefore reserve the right to change any details of product or withdraw specifications without prior notice.

This specification sheet supersedes all previous versions.

All intellectual property rights pertaining to the product described above and to this document are owned by or licensed to Lucent Lighting, Incorporated. Lucent Lighting reserves the right to take whatever action is necessary to protect its intellectual property, patents and trademarks

Please notify Lucent Lighting Inc. inaccuracies. E&OE



Light efficiency:

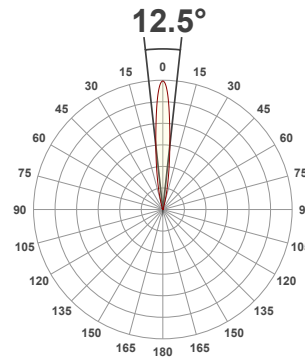
57 Lumen/Watt

Light quality:

CRI: 92.7

Color temperature:

3000 K



Product name:

Plus Pyramidal Fixed - LED51 GEN2, 3000K, 12°, 350mA

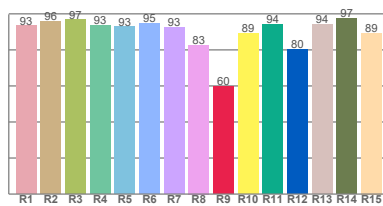
Item number:

090+SQ-LED51/2-30-12-350mA

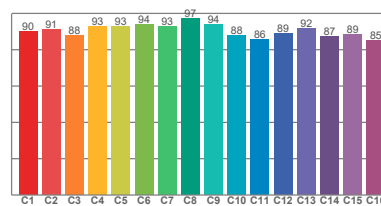
Delivered information for above fixture and LED combination.

Output: 774 Lumen Peak intensity: 10012 cd Power consumption: 13.6

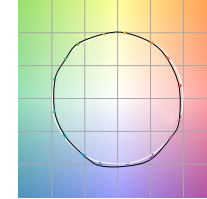
CRI R values



TM30 C Values

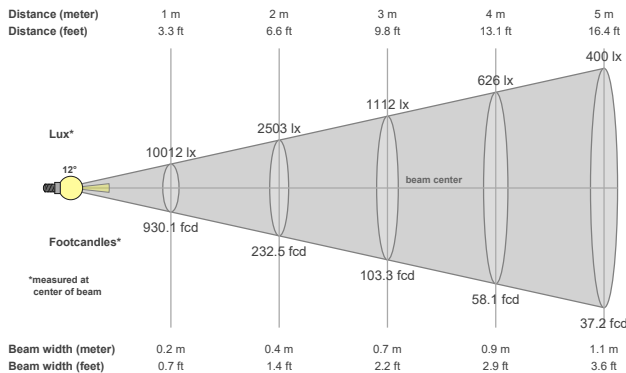


Color vector graphics



Color temperature	Color rendering index	Red component	Color fidelity	Color gamut	Color quality scale	Color coordinate cie 1931	Color coordinate cie 1931	Color coordinate	Color coordinate	Color deviation from black body
CCT	CRI	CRI R9	TM30 Rf	TM30 Rg	CQS	x	y	u	v	Δuv
3000 K	92.7	59.9	90.5	100.3	90.5	0.437	0.404	0.248	0.346	-0.0010

Beam details



Beam angles

Beam angle 50%	Field angle 10%	Cutoff angle 2,5%
12.5°	26.8°	35.5°

Beam intensities

Peak intensity	Int. ratio in 120° cone	Int. ratio in 90° cone
10012 cd	99.0%	98.0%

Beam intensities from 1-20m

1m	2m	3m	4m	5m	6m	7m	8m	9m	10m	11m	12m	13m	14m	15m	16m	17m	18m	19m	20m
3.3ft	6.6ft	9.8ft	13.1ft	16.4ft	19.7ft	23ft	26.2ft	29.5ft	32.8ft	36.1ft	39.4ft	42.7ft	45.9ft	49.2ft	52.5ft	55.8ft	59.1ft	62.3ft	65.6ft
10012lx	2503lx	1112lx	626lx	400lx	278lx	204lx	156lx	124lx	100lx	83lx	70lx	59lx	51lx	44lx	39lx	35lx	31lx	28lx	25lx
930.1fcd	232.5fcd	103.3fcd	58.1fcd	37.2fcd	25.8fcd	19fcd	14.5fcd	11.5fcd	9.3fcd	7.7fcd	6.5fcd	5.5fcd	4.7fcd	4.1fcd	3.6fcd	3.2fcd	2.9fcd	2.6fcd	2.3fcd

The above information is for 3000K colour temperature, for specific module information please see LED spec located on our website

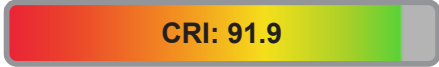
For information regarding other colour temperatures please use the following factors for lumen output and candelas:

2700K = 1
4000K = 1.084

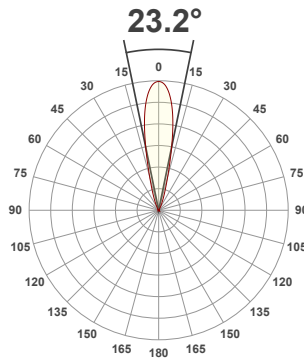
Light efficiency:



Light quality:



Color temperature:



Product name:

Plus Pyramidal Fixed - LED51 GEN2, 3000K, 24°, 350mA

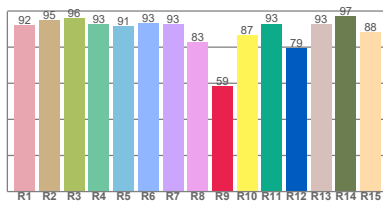
Item number:

090+SQ-LED51/2-30-24-350mA

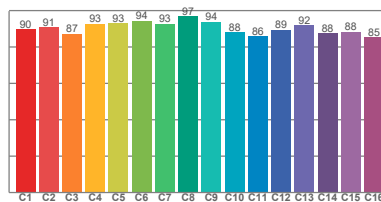
Delivered information for above fixture and LED combination.

Output: 807 Lumen Peak intensity: 4232 cd Power consumption: 13.6

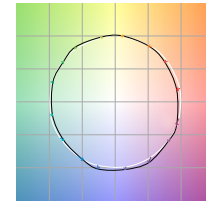
CRI R values



TM30 C Values

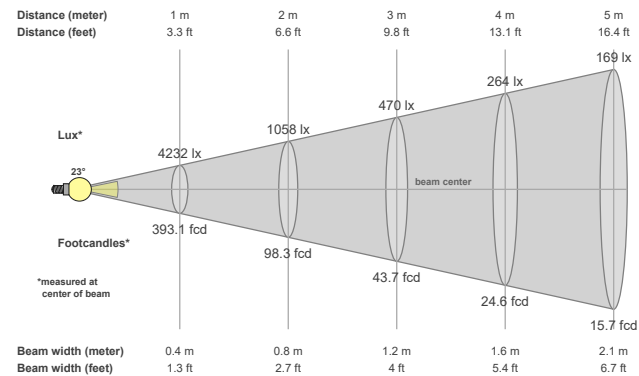


Color vector graphics



Color temperature	Color rendering index	Red component	Color fidelity	Color gamut	Color quality scale	Color coordinate cie 1931	Color coordinate cie 1931	Color coordinate	Color coordinate	Color deviation from black body
CCT	CRI	CRI R9	TM30 Rf	TM30 Rg	CQS	x	y	u	v	Δuv
3000 K	91.9	58.6	90.5	99.9	90.4	0.437	0.404	0.248	0.347	0.0004

Beam details



Beam angels

Beam angle 50%	Field angle 10%	Cutoff angle 2,5%
23.2°	41.9°	57.3°

Beam intensities

Peak intensity	Int. ratio in 120° cone	Int. ratio in 90° cone
4232 cd	99.8%	99.4%

Beam intensities from 1-20m

1m	2m	3m	4m	5m	6m	7m	8m	9m	10m	11m	12m	13m	14m	15m	16m	17m	18m	19m	20m
3.3ft	6.6ft	9.8ft	13.1ft	16.4ft	19.7ft	23ft	26.2ft	29.5ft	32.8ft	36.1ft	39.4ft	42.7ft	45.9ft	49.2ft	52.5ft	55.8ft	59.1ft	62.3ft	65.6ft
4232lx	1058lx	470lx	264lx	169lx	118lx	86lx	66lx	52lx	42lx	35lx	29lx	25lx	22lx	19lx	17lx	15lx	13lx	12lx	11lx
393.1fcd	98.3fcd	43.7fcd	24.6fcd	15.7fcd	10.9fcd	8fcd	6.1fcd	4.9fcd	3.9fcd	3.2fcd	2.7fcd	2.3fcd	2fcd	1.7fcd	1.5fcd	1.4fcd	1.2fcd	1.1fcd	1fcd

The above information is for 3000K colour temperature, for specific module information please see LED spec located on our website

For information regarding other colour temperatures please use the following factors for lumen output and candelas:

2700K = 1
4000K = 1.084

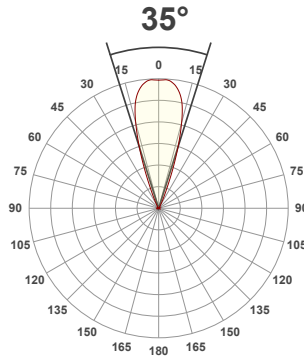
Light efficiency:



Light quality:



Color temperature:



Product name:

Plus Pyramidal Accent - LED51 GEN2, 3000K, 38°, 350mA

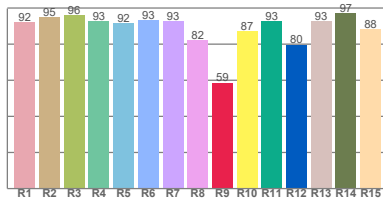
Item number:

093+SQ-LED51/2-30-38-350mA

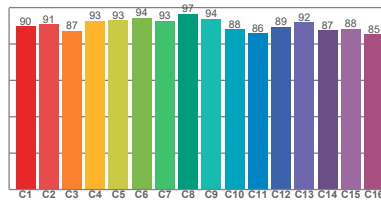
Delivered information for above fixture and LED combination.

Output: 805 Lumen Peak intensity: 2450 cd Power consumption: 13.6

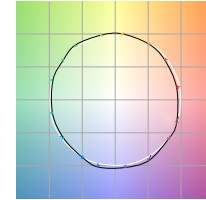
CRI R values



TM30 C Values

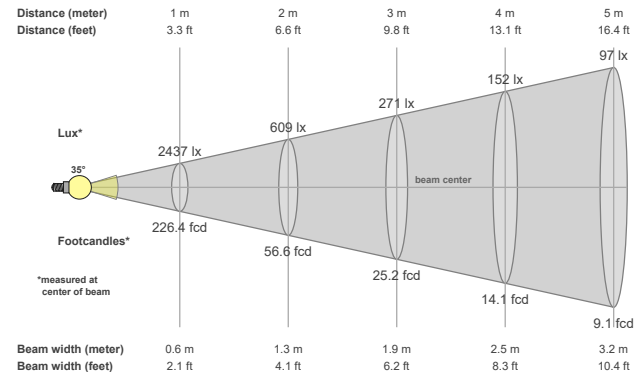


Color vector graphics



Color temperature	Color rendering index	Red component	Color fidelity	Color gamut	Color quality scale	Color coordinate cie 1931	Color coordinate cie 1931	Color coordinate	Color coordinate	Color deviation from black body
CCT	CRI	CRI R9	TM30 Rf	TM30 Rg	CQS	x	y	u	v	Δuv
3000 K	92.0	58.7	90.5	99.9	90.3	0.437	0.404	0.249	0.347	0.0001

Beam details



Beam angels

Beam angle 50%	Field angle 10%	Cutoff angle 2,5%
35°	49.1°	61°

Beam intensities

Peak intensity	Int. ratio in 120° cone	Int. ratio in 90° cone
2450 cd	99.8%	99.6%

Beam intensities from 1-20m

1m	2m	3m	4m	5m	6m	7m	8m	9m	10m	11m	12m	13m	14m	15m	16m	17m	18m	19m	20m
3.3ft	6.6ft	9.8ft	13.1ft	16.4ft	19.7ft	23ft	26.2ft	29.5ft	32.8ft	36.1ft	39.4ft	42.7ft	45.9ft	49.2ft	52.5ft	55.8ft	59.1ft	62.3ft	65.6ft
2437lx	609lx	271lx	152lx	97lx	68lx	50lx	38lx	30lx	24lx	20lx	17lx	14lx	12lx	11lx	10lx	8lx	8lx	7lx	6lx
226.4fcd	56.6fcd	25.2fcd	14.1fcd	9.1fcd	6.3fcd	4.6fcd	3.5fcd	2.8fcd	2.3fcd	1.9fcd	1.6fcd	1.3fcd	1.2fcd	1fcd	0.9fcd	0.8fcd	0.7fcd	0.6fcd	0.6fcd

The above information is for 3000K colour temperature, for specific module information please see LED spec located on our website

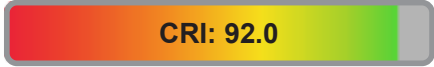
For information regarding other colour temperatures please use the following factors for lumen output and candelas:

2700K = 1
4000K = 1.084

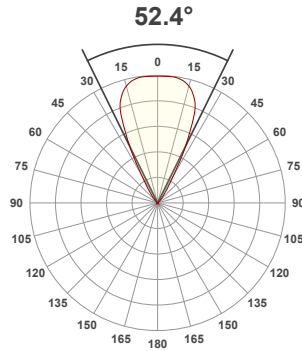
Light efficiency:



Light quality:



Color temperature:



Product name:

Plus Pyramidal Fixed - LED51 GEN2, 3000K, 55°, 350mA

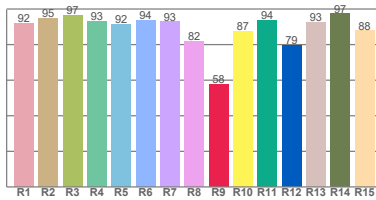
Item number:

090+SQ-LED51/2-30-55-350mA

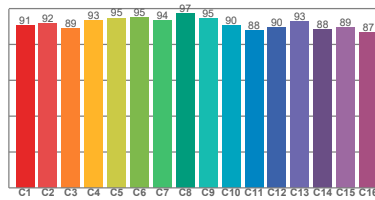
Delivered information for above fixture and LED combination.

Output: 830 Lumen Peak intensity: 1151 cd Power consumption: 13.6

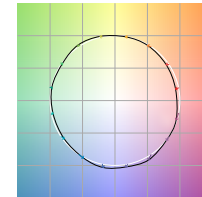
CRI R values



TM30 C Values

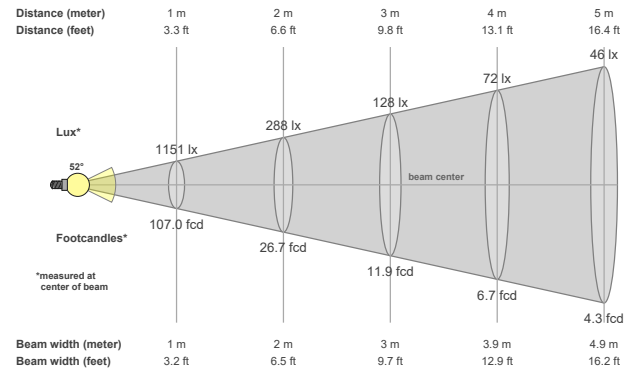


Color vector graphics



Color temperature	Color rendering index	Red component	Color fidelity	Color gamut	Color quality scale	Color coordinate cie 1931	Color coordinate cie 1931	Color coordinate	Color coordinate	Color deviation from black body
CCT	CRI	CRI R9	TM30 Rf	TM30 Rg	CQS	x	y	u	v	Δuv
3000 K	92.0	57.6	91.6	99.7	90.5	0.437	0.404	0.251	0.348	0.0007

Beam details



Beam angles

Beam angle 50%	Field angle 10%	Cutoff angle 2,5%
52.4°	71.5°	89.5°

Beam intensities

Peak intensity	Int. ratio in 120° cone	Int. ratio in 90° cone
1151 cd	99.6%	98.4%

Beam intensities from 1-20m

1m	2m	3m	4m	5m	6m	7m	8m	9m	10m	11m	12m	13m	14m	15m	16m	17m	18m	19m	20m
3.3ft	6.6ft	9.8ft	13.1ft	16.4ft	19.7ft	23ft	26.2ft	29.5ft	32.8ft	36.1ft	39.4ft	42.7ft	45.9ft	49.2ft	52.5ft	55.8ft	59.1ft	62.3ft	65.6ft
1151lx	288lx	128lx	72lx	46lx	32lx	23lx	18lx	14lx	12lx	10lx	8lx	7lx	6lx	5lx	4lx	4lx	4lx	3lx	3lx
107fcd	26.7fcd	11.9fcd	6.7fcd	4.3fcd	3fcd	2.2fcd	1.7fcd	1.3fcd	1.1fcd	0.9fcd	0.7fcd	0.6fcd	0.5fcd	0.5fcd	0.4fcd	0.4fcd	0.3fcd	0.3fcd	0.3fcd

The above information is for 3000K colour temperature, for specific module information please see LED spec located on our website

For information regarding other colour temperatures please use the following factors for lumen output and candelas:

2700K =1

4000K =1.084

Light efficiency:

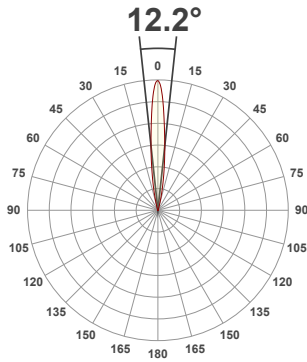
51 Lumen/Watt

Light quality:

CRI: 97.9

Color temperature:

3000 K



Product name:

090+LED-SQ - LED51_U-30-12-350mA

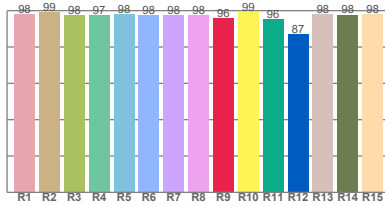
Item number:

Plus Pyramidal Fixed - LED51_U-30-12-350mA

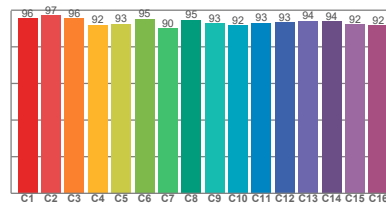
Delivered information for above fixture and LED combination.

Output: 692 Lumen Peak intensity: 9497 cd Power consumption: 13.6

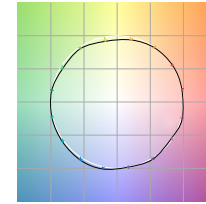
CRI R values



TM30 C Values

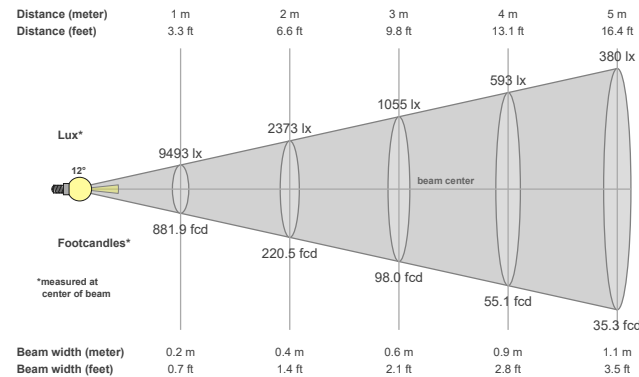


Color vector graphics



Color temperature	Color rendering index	Red component	Color fidelity	Color gamut	Color quality scale	Color coordinate cie 1931	Color coordinate cie 1931	Color coordinate	Color coordinate	Color deviation from black body
CCT	CRI	CRI R9	TM30 Rf	TM30 Rg	CQS	x	y	u	v	Δuv
3000 K	97.9	96.0	93.7	98.8	94.7	0.437	0.404	0.249	0.349	0.0017

Beam details



Beam angels

Beam angle 50%	Field angle 10%	Cutoff angle 2,5%
12.2°	26.3°	36.6°

Beam intensities

Peak intensity	Int. ratio in 120° cone	Int. ratio in 90° cone
9497 cd	99.5%	99.0%

Beam intensities from 1-20m

1m	2m	3m	4m	5m	6m	7m	8m	9m	10m	11m	12m	13m	14m	15m	16m	17m	18m	19m	20m
3.3ft	6.6ft	9.8ft	13.1ft	16.4ft	19.7ft	23ft	26.2ft	29.5ft	32.8ft	36.1ft	39.4ft	42.7ft	45.9ft	49.2ft	52.5ft	55.8ft	59.1ft	62.3ft	65.6ft
9493lx	2373lx	1055lx	593lx	380lx	264lx	194lx	148lx	117lx	95lx	78lx	66lx	56lx	48lx	42lx	37lx	33lx	29lx	26lx	24lx
881.9fcd	220.5fcd	98fcd	55.1fcd	35.3fcd	24.5fcd	18fcd	13.8fcd	10.9fcd	8.8fcd	7.3fcd	6.1fcd	5.2fcd	4.5fcd	3.9fcd	3.4fcd	3.1fcd	2.7fcd	2.4fcd	2.2fcd

The above information is for 3000K colour temperature, for specific module information please see LED spec located on our website

For information regarding other colour temperatures please use the following factors for lumen output and candelas:

2700K = 1

Light efficiency:

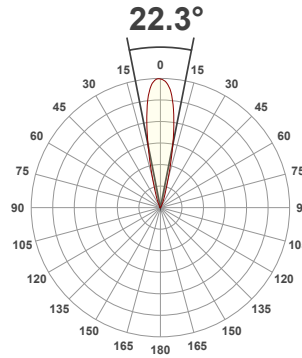
51 Lumen/Watt

Light quality:

CRI: 97.8

Color temperature:

3000 K



Product name:

090+LED-SQ - LED51_U-30-24-350mA

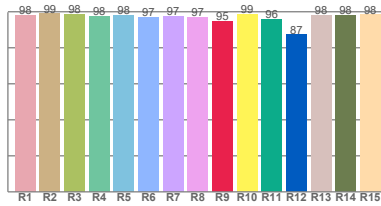
Item number:

Plus Pyramidal Fixed - LED51_U-30-24-350mA

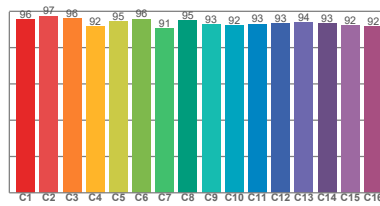
Delivered information for above fixture and LED combination.

Output: 688 Lumen Peak intensity: 3945 cd Power consumption: 13.6

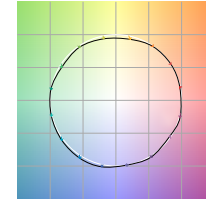
CRI R values



TM30 C Values

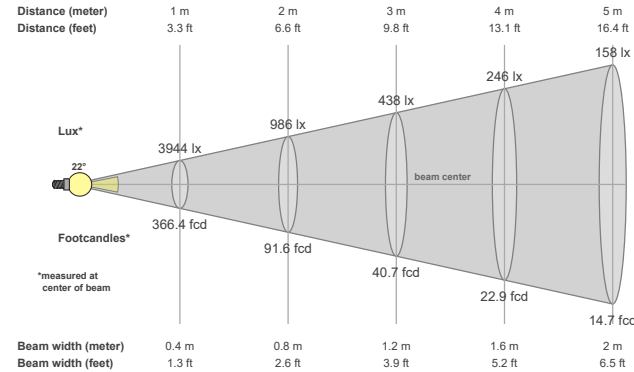


Color vector graphics



Color temperature	Color rendering index	Red component	Color fidelity	Color gamut	Color quality scale	Color coordinate cie 1931	Color coordinate cie 1931	Color coordinate	Color coordinate	Color deviation from black body
CCT	CRI	CRI R9	TM30 Rf	TM30 Rg	CQS	x	y	u	v	Δuv
3000 K	97.8	94.6	93.8	99.0	95.2	0.437	0.404	0.250	0.349	0.0009

Beam details



Beam angles

Beam angle 50%	Field angle 10%	Cutoff angle 2,5%
22.3°	39.1°	55.3°

Beam intensities

Peak intensity	Int. ratio in 120° cone	Int. ratio in 90° cone
3945 cd	99.5%	99.0%

Beam intensities from 1-20m

1m	2m	3m	4m	5m	6m	7m	8m	9m	10m	11m	12m	13m	14m	15m	16m	17m	18m	19m	20m
3.3ft	6.6ft	9.8ft	13.1ft	16.4ft	19.7ft	23ft	26.2ft	29.5ft	32.8ft	36.1ft	39.4ft	42.7ft	45.9ft	49.2ft	52.5ft	55.8ft	59.1ft	62.3ft	65.6ft
3944lx	986lx	438lx	246lx	158lx	110lx	80lx	62lx	49lx	39lx	33lx	27lx	23lx	20lx	18lx	15lx	14lx	12lx	11lx	10lx
366.4fcd	91.6fcd	40.7fcd	22.9fcd	14.7fcd	10.2fcd	7.5fcd	5.7fcd	4.5fcd	3.7fcd	3fcd	2.5fcd	2.2fcd	1.9fcd	1.6fcd	1.4fcd	1.3fcd	1.1fcd	1fcd	0.9fcd

The above information is for 3000K colour temperature, for specific module information please see LED spec located on our website

For information regarding other colour temperatures please use the following factors for lumen output and candelas:

2700K = 1

Light efficiency:

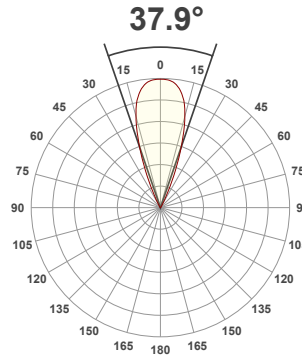
61 Lumen/Watt

Light quality:

CRI: 98.0

Color temperature:

3000 K



Product name:

090+LED-SQ - LED51_U-30-38-350mA

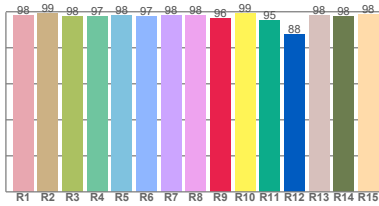
Item number:

Plus Pyramidal Fixed - LED51_U-30-38-350mA

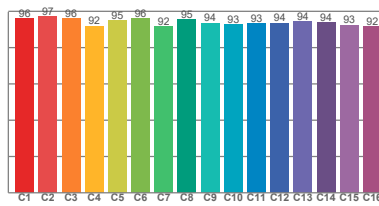
Delivered information for above fixture and LED combination.

Output: 828 Lumen Peak intensity: 2168 cd Power consumption: 13.6

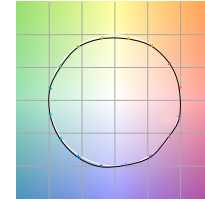
CRI R values



TM30 C Values

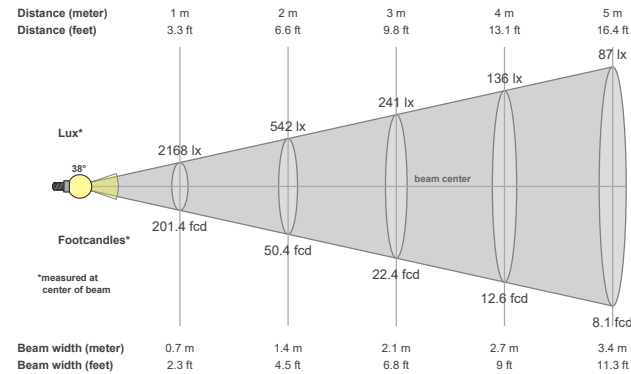


Color vector graphics



Color temperature	Color rendering index	Red component	Color fidelity	Color gamut	Color quality scale	Color coordinate cie 1931	Color coordinate cie 1931	Color coordinate	Color coordinate	Color deviation from black body
CCT	CRI	CRI R9	TM30 Rf	TM30 Rg	CQS	x	y	u	v	Δuv
3000 K	98.0	96.2	94.3	99.4	95.3	0.437	0.404	0.250	0.349	0.0013

Beam details



Beam angles

Beam angle 50%	Field angle 10%	Cutoff angle 2,5%
37.9°	53.3°	64.1°

Beam intensities

Peak intensity	Int. ratio in 120° cone	Int. ratio in 90° cone
2168 cd	99.5%	99.1%

Beam intensities from 1-20m

1m	2m	3m	4m	5m	6m	7m	8m	9m	10m	11m	12m	13m	14m	15m	16m	17m	18m	19m	20m
3.3ft	6.6ft	9.8ft	13.1ft	16.4ft	19.7ft	23ft	26.2ft	29.5ft	32.8ft	36.1ft	39.4ft	42.7ft	45.9ft	49.2ft	52.5ft	55.8ft	59.1ft	62.3ft	65.6ft
2168lx	542lx	241lx	136lx	87lx	60lx	44lx	34lx	27lx	22lx	18lx	15lx	13lx	11lx	10lx	8lx	8lx	7lx	6lx	5lx
201.4fcd	50.4fcd	22.4fcd	12.6fcd	8.1fcd	5.6fcd	4.1fcd	3.1fcd	2.5fcd	2fcd	1.7fcd	1.4fcd	1.2fcd	1fcd	0.9fcd	0.8fcd	0.7fcd	0.6fcd	0.6fcd	0.5fcd

The above information is for 3000K colour temperature, for specific module information please see LED spec located on our website

For information regarding other colour temperatures please use the following factors for lumen output and candelas:

$$2700K = 1$$

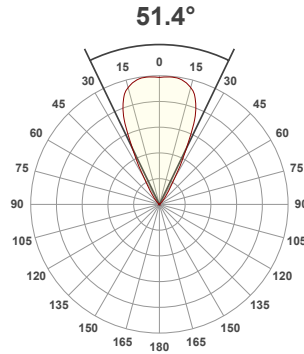
Light efficiency:



Light quality:



Color temperature:

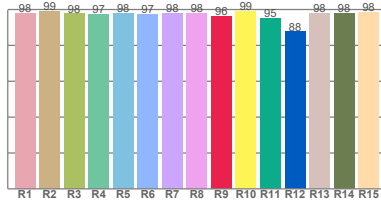


Product name:
090+LED-SQ -
LED51_U-30-55-350mA
Item number:
Plus Pyramidal Fixed -
LED51_U-30-55-350mA

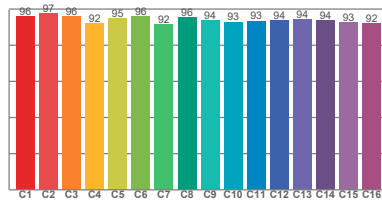
Delivered information for above fixture and LED combination.

Output: 697 Lumen Peak intensity: 988 cd Power consumption: 13.6

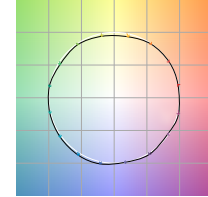
CRI R values



TM30 C Values

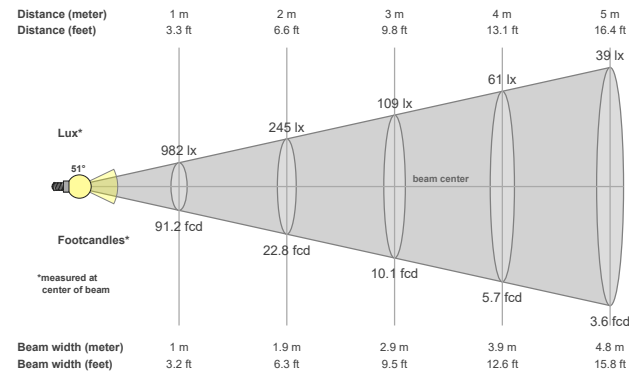


Color vector graphics



Color temperature	Color rendering index	Red component	Color fidelity	Color gamut	Color quality scale	Color coordinate cie 1931	Color coordinate cie 1931	Color coordinate	Color coordinate	Color deviation from black body
CCT	CRI	CRI R9	TM30 Rf	TM30 Rg	CQS	x	y	u	v	Δuv
3000 K	98.0	96.2	94.3	99.4	95.3	0.437	0.404	0.251	0.348	0.0013

Beam details



Beam angles

Beam angle 50%	Field angle 10%	Cutoff angle 2,5%
51.4°	71.7°	89.7°

Beam intensities

Peak intensity	Int. ratio in 120° cone	Int. ratio in 90° cone
988 cd	99.3%	98.1%

Beam intensities from 1-20m

1m	2m	3m	4m	5m	6m	7m	8m	9m	10m	11m	12m	13m	14m	15m	16m	17m	18m	19m	20m
3.3ft	6.6ft	9.8ft	13.1ft	16.4ft	19.7ft	23ft	26.2ft	29.5ft	32.8ft	36.1ft	39.4ft	42.7ft	45.9ft	49.2ft	52.5ft	55.8ft	59.1ft	62.3ft	65.6ft
982lx	245lx	109lx	61lx	39lx	27lx	20lx	15lx	12lx	10lx	8lx	7lx	6lx	5lx	4lx	4lx	3lx	3lx	3lx	2lx
91.2fcd	22.8fcd	10.1fcd	5.7fcd	3.6fcd	2.5fcd	1.9fcd	1.4fcd	1.1fcd	0.9fcd	0.8fcd	0.6fcd	0.5fcd	0.5fcd	0.4fcd	0.4fcd	0.3fcd	0.3fcd	0.3fcd	0.2fcd

The above information is for 3000K colour temperature, for specific module information please see LED spec located on our website

For information regarding other colour temperatures please use the following factors for lumen output and candelas:

2700K = 1