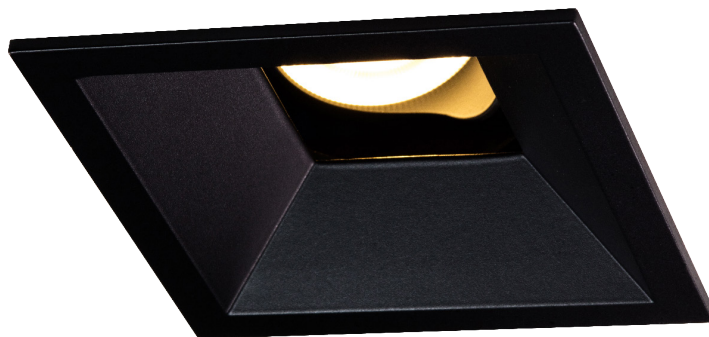
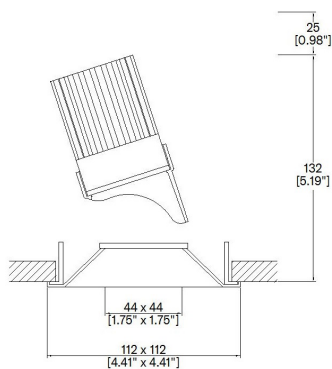


# Plus3.5 Pyramidal Accent Non-Locking



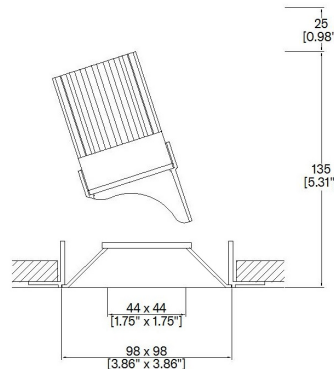
Plus provides high performance electronics and architectural aesthetics in round and square 3.5" and 5" trim. Plus products include adjustable, fixed and wallwash in a flanged or trimless installation kit. Adjustable can be provided with gear driven adjustment or manual adjustment. Available in various front plates (Conical, Bevel, Edge, Pyramidal and Square Bevel) Bevel and Square Bevel available with various color inserts. Tray, retrofit and housing installation methods (NIC, IC, AT, T24 and CCEA) Multiple configurations for equal spacing also available. Lucent modules available in a wide range of color temperatures, beam angles, intensities, and effects (Ambiance WarmDim and Dynamic Tuneable White). MR16 and GU10 LED lamp options available. TRIAC/Phase, 0-10v/1-10v, DMX and DALI/Digital dimming.



**A093+NL-LED-TR-SQ**  
359° rotation. Up to 45° tilt.  
Cut-out 102 x 102mm  
(4.02" x 4.02")



**Installation kit for overlap flange**



**A093+NL-LED-TL-SQ**  
359° rotation. Up to 45° tilt.  
Cut-out 102 x 102mm  
(4.02" x 4.02")



**Mud-in kit for seamless/trimless**

LED Source	LED51/2	LED51/2	LED51/2	LED51/2	LED51/U	LED51/U	LED51/U	LED51/U
CCT	3000K	3000K	3000K	3000K	3000K	3000K	3000K	3000K
Drive Current	350mA	350mA	350mA	350mA	350mA	350mA	350mA	350mA
Power inc Driver	13.6W	13.6W	13.6W	13.6W	13.6W	13.6W	13.6W	13.6W
Beam Angle	12°	24°	38°	55°	12°	24°	38°	55°
Delivered Lumens	650	832	942	873	721	690	837	750
Delivered Intensisty cd	7752	4324	2615	1172	10198	3986	2193	997
Efficacy lm/w	48	61	69	64	53	51	61	55
Forward Volt	33V	33V	33V	33V	33V	33V	33V	33V
CRI	≥90 CRI	≥90 CRI	≥90 CRI	≥90 CRI	≥98 CRI	≥98 CRI	≥98 CRI	≥98 CRI

Project Ref: \_\_\_\_\_

Location Ref: \_\_\_\_\_

Specify fixture part number (All boxes must be filled in to correctly order)

A093+NL-LED													
-------------	--	--	--	--	--	--	--	--	--	--	--	--	--

**Installation**

- TR-SQ Flange kit
- TL-SQ Mud-in kit

**Finish**

- WH White
- BK Black
- RAL Custom\*

**Location**

- XX Dry
- DP Damp

**Ceiling Thickness**

- SC Standard Ceiling (1/2"-5/8"-3/4")
- C Custom

**LED Type**

- LED51/2 LED51/2 (90CRI)
- LED51/U LED51/U (98CRI)

**CCT**

- 27 2700K
- 30 3000K
- 35 3500K
- 40 4000K (90 CRI ONLY)

**Beam Angles**

- 12 12
- 24 24
- 38 38
- 55 55

**Housing/Tray**

- LMT-13-NIC Mounting Tray Non-Insulated ceilings
- LH-6.75-NIC Housing 6.75" Non-Insulated ceilings
- LH-8.50-AT/IC Housing 8.50" Insulated/Air-tight ceilings and Chicago Plenum

**Mounting Hardware**

- 09 9" to 15.25" - Adjustable Bar Hanger Lengths
- 14 14" to 24" - Adjustable Bar Hanger Lengths
- 36 28" to 36" - Adjustable Bar Hanger Lengths
- BB Butterfly Bracket
- CB Caterpillar Bracket

**Supply Voltage**

- 120 120V
- 277 277V

**Dimming Protocol**

- S Non-Dimmable
- P TRIAC/Phase (120V ONLY) (25-10% Minimum Dimming)\*\*\*
- AWN Athena wireless RF node\*\*\*\*
- LHE EcoSystem Hi-Lume Fade to Black (1% Dimming)
- LAE Lutron 3-Wire Hi-Lume (1% Dimming)
- LHP Lutron Hi-Lume Premier EcoSystem (0.1% Dimming)
- A 0-10V (15-5% Minimum Dimming)\*\*\*
- ESD EldoLED Solo DALI2 (0.1% Dimming)
- EED EldoLED Eco DALI2 (1% Dimming)
- ESA EldoLED Solo 0-10V/1-10V (0.1% Dimming)
- EEA EldoLED Eco 0-10V/1-10V (1% Dimming)
- B Bluetooth\*\*

**Emergency**

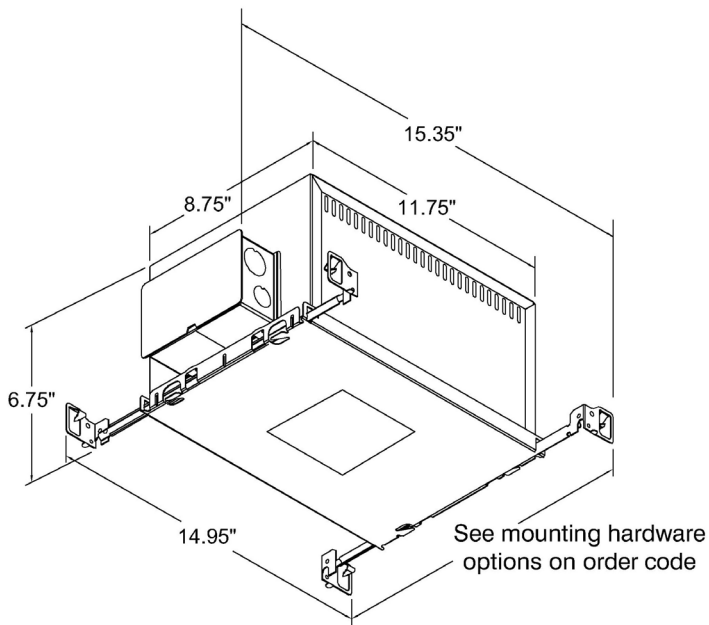
- E 1.5h Emergency
- ES 1.5h Self test

**Louvre/Lens**

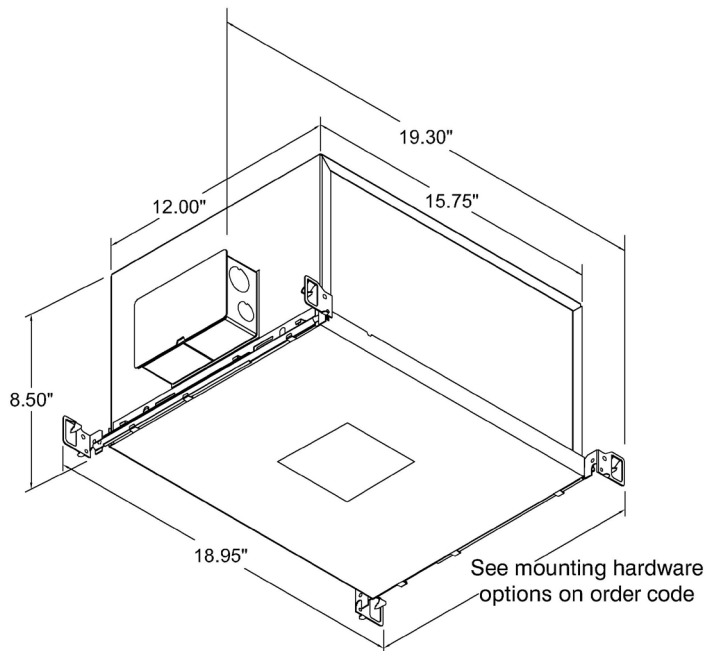
- XX Not required
- LL45 Honeycomb
- LLCC Warm Tone
- LLUV UV
- LLDF Solite/Diffusing
- LLFR Frosted Lens
- LLLS Linear Spread
- LLHS Heavy Spread

\*Refer to Technical Details for more information

## Housing dimensions

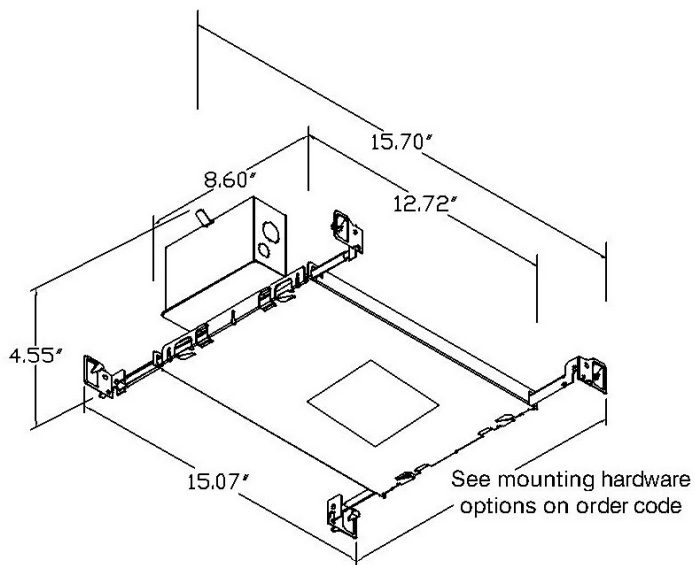


LH-6.75  
Non-insulated ceilings



LH-8.50  
Insulated/air-tight ceilings and  
Chicago Plenum

## Tray dimensions



LMT-13  
Non-insulated ceilings



**Honeycomb Louvre (LL45)**



**Solite/Diffusing Lens (LLDF)**



**Frosted Lens (LLFR)**



**Heavy Spread Lens (LLHS)**



**Linear Spread Lens (LLLS)**



**Warm Tone (LLCC)**

---

## Technical Details

\*Custom color requires a paint chip or RAL code and may increase price and lead-time

It is the responsibility of the specifier/integrator/installer to check and ensure compatibility of any control equipment used. Additional cabling may be required depending on the dimming protocol specified.

\*\*DALI Type 6 requires two DALI addresses, one for CCT control the other for intensity control. DALI Type 8 is a single DALI Type 8 address for CCT and intensity control. Please check which control system is being used before specifying.

\*\*\*\* Available for integration with Lutron Athena Control systems. Please contact Lucent Lighting Inc./Lutron factory for further details.

^ Depth indicated is the minimum recess depth for the luminaire with a remote mounted LED driver. Installing a driver through either the luminaire cut-out or installation kit may require additional recess depth, please refer to the relevant installation instructions prior to purchase.

First Fix Requirement. Luminaire comprised of fixture body with ceiling trim and installation kit, which is to be fitted into the ceiling once finished. Ensure correct alignment of the installation kit before final assembly (see luminaire installation instructions for details)

Location. Tested from underside of the ceiling.

Data correct at time of publishing. It is the policy of Lucent Lighting to continually review and improve its products and therefore reserve the right to change any details of product or withdraw specifications without prior notice.

This specification sheet supersedes all previous versions.

All intellectual property rights pertaining to the product described above and to this document are owned by or licensed to Lucent Lighting, Incorporated. Lucent Lighting reserves the right to take whatever action is necessary to protect its intellectual property, patents and trademarks

Please notify Lucent Lighting Inc. inaccuracies. E&OE

---



Light efficiency:

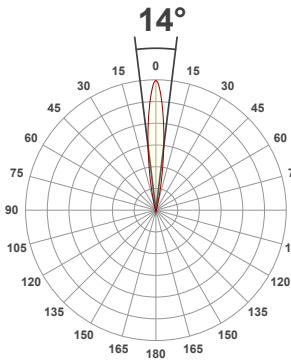
**48 Lumen/Watt**

Light quality:

**CRI: 92.1**

Color temperature:

**3000 K**



Product name:

**Plus Pyramidal Non-Locking - LED51 GEN2, 3000K, 12°, 350mA**

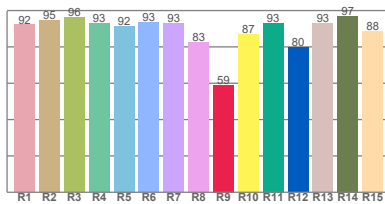
Item number:

**093+NL-SQ-LED51/2-30-12-350mA**

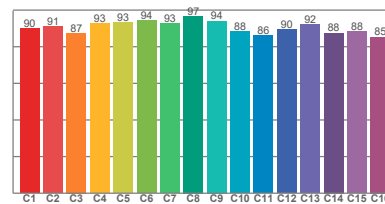
**Delivered information for above fixture and LED combination.**

**Output: 650 Lumen Peak intensity: 7752 cd Power consumption: 13.8**

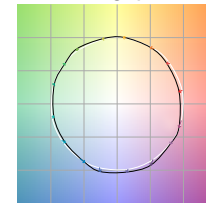
CRI R values



TM30 C Values

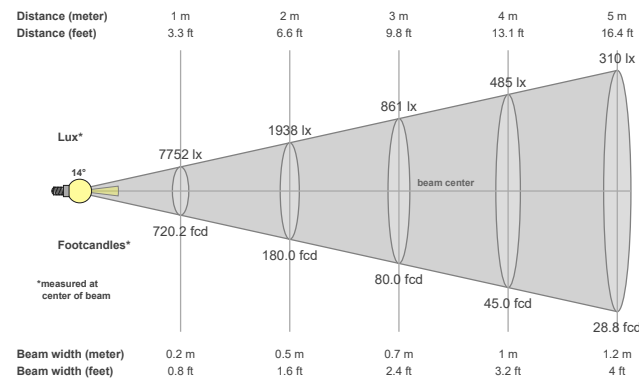


Color vector graphics



Color temperature	Color rendering index	Red component	Color fidelity	Color gamut	Color quality scale	Color coordinate cie 1931	Color coordinate cie 1931	Color coordinate	Color coordinate	Color deviation from black body
CCT	CRI	CRI R9	TM30 Rf	TM30 Rg	CQS	x	y	u	v	Δuv
3000 K	92.1	59.1	90.6	100.0	90.4	0.437	0.404	0.248	0.347	0.0003

### Beam details



### Beam angles

Beam angle 50%	Field angle 10%	Cutoff angle 2,5%
14°	27.1°	41.7°

### Beam intensities

Peak intensity	Int. ratio in 120° cone	Int. ratio in 90° cone
7752 cd	99.4%	99.1%

### Beam intensities from 1-20m

1m	2m	3m	4m	5m	6m	7m	8m	9m	10m	11m	12m	13m	14m	15m	16m	17m	18m	19m	20m
3.3ft	6.6ft	9.8ft	13.1ft	16.4ft	19.7ft	23ft	26.2ft	29.5ft	32.8ft	36.1ft	39.4ft	42.7ft	45.9ft	49.2ft	52.5ft	55.8ft	59.1ft	62.3ft	65.6ft
7752lx	1938lx	861lx	485lx	310lx	215lx	158lx	121lx	96lx	78lx	64lx	54lx	46lx	40lx	34lx	30lx	27lx	24lx	21lx	19lx
720.2fcd	180fcd	80fcd	45fcd	28.8fcd	20fcd	14.7fcd	11.3fcd	8.9fcd	7.2fcd	6fcd	5fcd	4.3fcd	3.7fcd	3.2fcd	2.8fcd	2.5fcd	2.2fcd	2fcd	1.8fcd

The above information is for 3000K colour temperature, for specific module information please see LED spec located on our website

For information regarding other colour temperatures please use the following factors for lumen output and candelas:

2700K =1

4000K =1.084

Light efficiency:

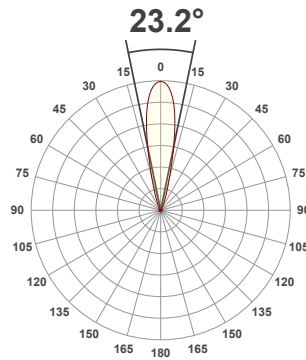
**61 Lumen/Watt**

Light quality:

**CRI: 92.0**

Color temperature:

**3000 K**



Product name:

**Plus Pyramidal Non-Locking - LED51 GEN2, 3000K, 24°, 350mA**

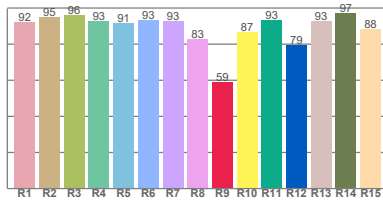
Item number:

**093+NL-SQ-LED51/2-30-24-350mA**

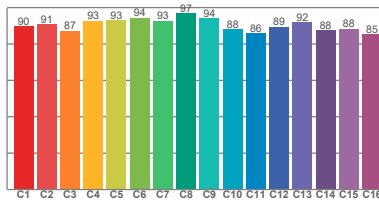
**Delivered information for above fixture and LED combination.**

**Output: 832 Lumen Peak intensity: 4324 cd Power consumption: 13.6**

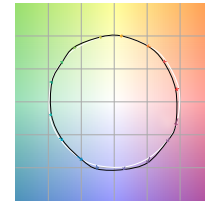
CRI R values



TM30 C Values

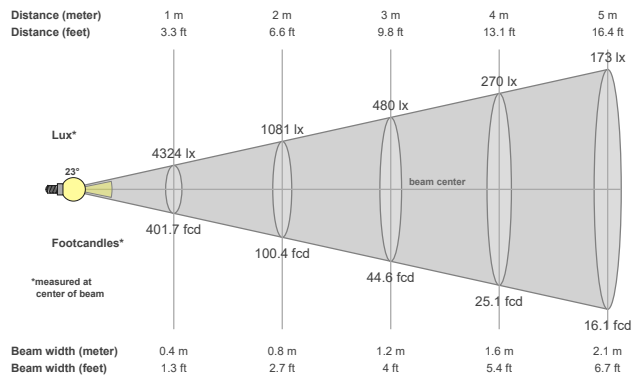


Color vector graphics



Color temperature	Color rendering index	Red component	Color fidelity	Color gamut	Color quality scale	Color coordinate cie 1931	Color coordinate cie 1931	Color coordinate	Color coordinate	Color deviation from black body
CCT	CRI	CRI R9	TM30 Rf	TM30 Rg	CQS	x	y	u	v	Δuv
3000 K	92.0	58.8	90.5	100.0	90.4	0.437	0.404	0.248	0.347	0.0004

## Beam details



## Beam angles

Beam angle 50%	Field angle 10%	Cutoff angle 2,5%
23.2°	41.8°	58.3°

## Beam intensities

Peak intensity	Int. ratio in 120° cone	Int. ratio in 90° cone
4324 cd	99.6%	99.1%

## Beam intensities from 1-20m

1m	2m	3m	4m	5m	6m	7m	8m	9m	10m	11m	12m	13m	14m	15m	16m	17m	18m	19m	20m
3.3ft	6.6ft	9.8ft	13.1ft	16.4ft	19.7ft	23ft	26.2ft	29.5ft	32.8ft	36.1ft	39.4ft	42.7ft	45.9ft	49.2ft	52.5ft	55.8ft	59.1ft	62.3ft	65.6ft
4324lx	1081lx	480lx	270lx	173lx	120lx	88lx	68lx	53lx	43lx	36lx	30lx	26lx	22lx	19lx	17lx	15lx	13lx	12lx	11lx
401.7fcd	100.4fcd	44.6fcd	25.1fcd	16.1fcd	11.2fcd	8.2fcd	6.3fcd	5fcd	4fcd	3.3fcd	2.8fcd	2.4fcd	2fcd	1.8fcd	1.6fcd	1.4fcd	1.2fcd	1.1fcd	1fcd

The above information is for 3000K colour temperature, for specific module information please see LED spec located on our website

For information regarding other colour temperatures please use the following factors for lumen output and candelas:

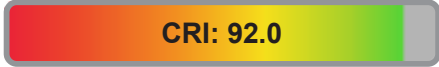
2700K = 1

4000K = 1.084

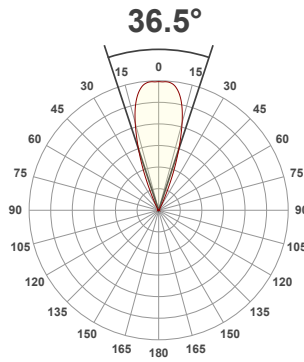
Light efficiency:



Light quality:



Color temperature:



Product name:

**Plus Pyramidal Non-Locking - LED51 GEN2, 3000K, 38° 350mA**

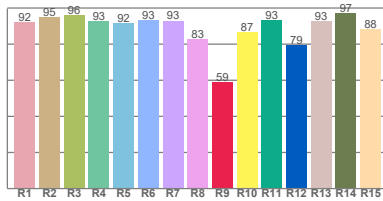
Item number:

**093+NL-SQ-LED51/2-30-38-350mA**

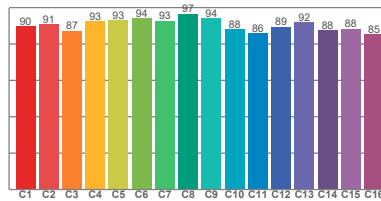
**Delivered information for above fixture and LED combination.**

**Output: 942 Lumen Peak intensity: 2615 cd Power consumption: 13.6**

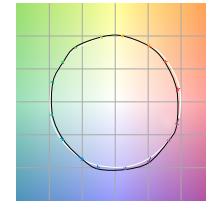
CRI R values



TM30 C Values

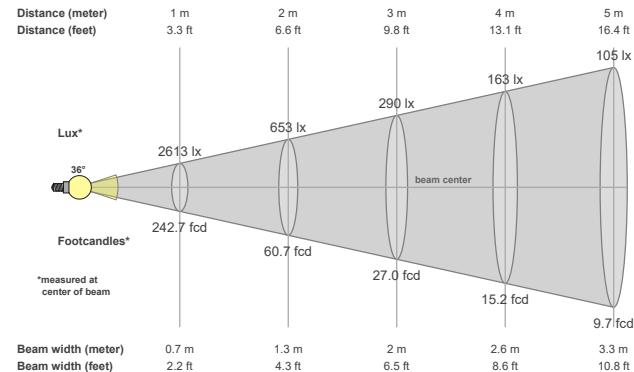


Color vector graphics



Color temperature	Color rendering index	Red component	Color fidelity	Color gamut	Color quality scale	Color coordinate cie 1931	Color coordinate cie 1931	Color coordinate	Color coordinate	Color deviation from black body
CCT	CRI	CRI R9	TM30 Rf	TM30 Rg	CQS	x	y	u	v	Δuv
3000 K	92.0	59.2	90.5	100.0	90.4	0.437	0.404	0.248	0.347	0.0003

**Beam details**



**Beam angles**

Beam angle 50%	Field angle 10%	Cutoff angle 2,5%
36.5°	51.4°	64°

**Beam intensities**

Peak intensity	Int. ratio in 120° cone	Int. ratio in 90° cone
2615 cd	99.8%	99.4%

**Beam intensities from 1-20m**

1m	2m	3m	4m	5m	6m	7m	8m	9m	10m	11m	12m	13m	14m	15m	16m	17m	18m	19m	20m
3.3ft	6.6ft	9.8ft	13.1ft	16.4ft	19.7ft	23ft	26.2ft	29.5ft	32.8ft	36.1ft	39.4ft	42.7ft	45.9ft	49.2ft	52.5ft	55.8ft	59.1ft	62.3ft	65.6ft
2613lx	653lx	290lx	163lx	105lx	73lx	53lx	41lx	32lx	26lx	22lx	18lx	15lx	13lx	12lx	10lx	9lx	8lx	7lx	7lx
242.7fcd	60.7fcd	27fcd	15.2fcd	9.7fcd	6.7fcd	5fcd	3.8fcd	3fcd	2.4fcd	2fcd	1.7fcd	1.4fcd	1.2fcd	1.1fcd	0.9fcd	0.8fcd	0.7fcd	0.7fcd	0.6fcd

The above information is for 3000K colour temperature, for specific module information please see LED spec located on our website

For information regarding other colour temperatures please use the following factors for lumen output and candelas:

2700K = 1  
4000K = 1.084

Light efficiency:

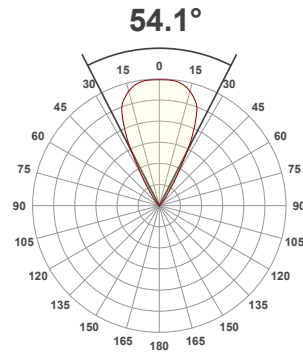
**64 Lumen/Watt**

Light quality:

**CRI: 92.0**

Color temperature:

**3000 K**



Product name:

**Plus Pyramidal Non-Locking - LED51 GEN2, 3000K, 55° 350mA**

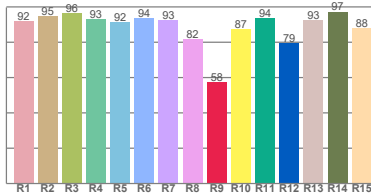
Item number:

**093+NL-SQ-LED51/2-30-55-350mA**

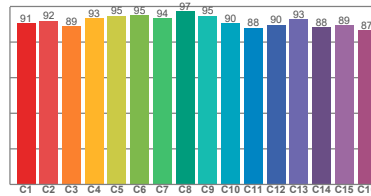
Delivered information for above fixture and LED combination.

Output: 873 Lumen Peak intensity: 1172 cd Power consumption: 13.6

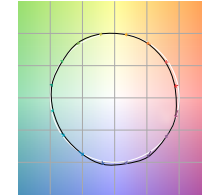
CRI R values



TM30 C Values

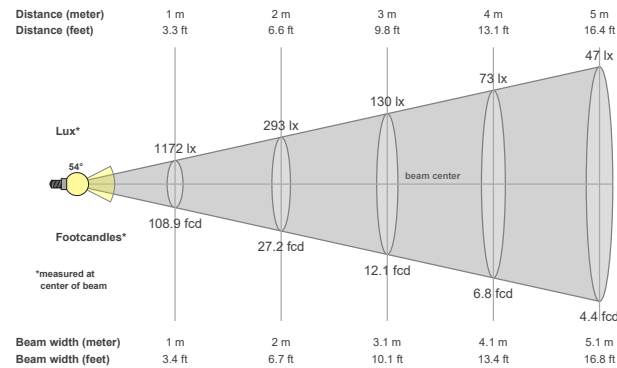


Color vector graphics



Color temperature	Color rendering index	Red component	Color fidelity	Color gamut	Color quality scale	Color coordinate cie 1931	Color coordinate cie 1931	Color coordinate	Color coordinate	Color deviation from black body
CCT	CRI	CRI R9	TM30 Rf	TM30 Rg	CQS	x	y	u	v	Δuv
3000 K	92.0	57.6	91.6	99.7	90.5	0.437	0.404	0.250	0.348	0.0007

### Beam details



### Beam angles

Beam angle 50%	Field angle 10%	Cutoff angle 2,5%
54.1°	72.8°	90.9°

### Beam intensities

Peak intensity	Int. ratio in 120° cone	Int. ratio in 90° cone
1172 cd	99.7%	98.4%

### Beam intensities from 1-20m

1m	2m	3m	4m	5m	6m	7m	8m	9m	10m	11m	12m	13m	14m	15m	16m	17m	18m	19m	20m
3.3ft	6.6ft	9.8ft	13.1ft	16.4ft	19.7ft	23ft	26.2ft	29.5ft	32.8ft	36.1ft	39.4ft	42.7ft	45.9ft	49.2ft	52.5ft	55.8ft	59.1ft	62.3ft	65.6ft
1172lx	293lx	130lx	73lx	47lx	33lx	24lx	18lx	14lx	12lx	10lx	8lx	7lx	6lx	5lx	5lx	4lx	4lx	3lx	3lx
108.9fcd	27.2fcd	12.1fcd	6.8fcd	4.4fcd	3fcd	2.2fcd	1.7fcd	1.3fcd	1.1fcd	0.9fcd	0.8fcd	0.6fcd	0.6fcd	0.5fcd	0.4fcd	0.4fcd	0.3fcd	0.3fcd	0.3fcd

The above information is for 3000K colour temperature, for specific module information please see LED spec located on our website

For information regarding other colour temperatures please use the following factors for lumen output and candelas:

2700K = 1  
4000K = 1.084



**Light efficiency:**

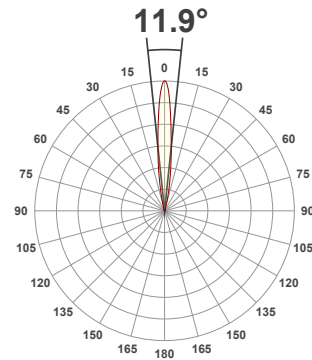
**53 Lumen/Watt**

**Light quality:**

**CRI: 97.8**

**Color temperature:**

**3000 K**



**Product name:**

**093+NL-LED-SQ - LED51\_U-30-12-350mA**

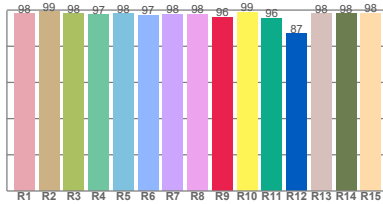
**Item number:**

**Plus Pyramidal Non-Locking Accent - LED51\_U-30-12-350mA**

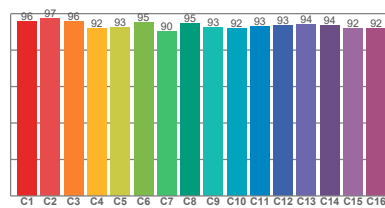
**Delivered information for above fixture and LED combination.**

**Output: 721 Lumen Peak intensity: 10198 cd Power consumption: 13.6**

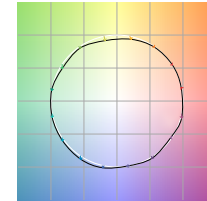
**CRI R values**



**TM30 C Values**

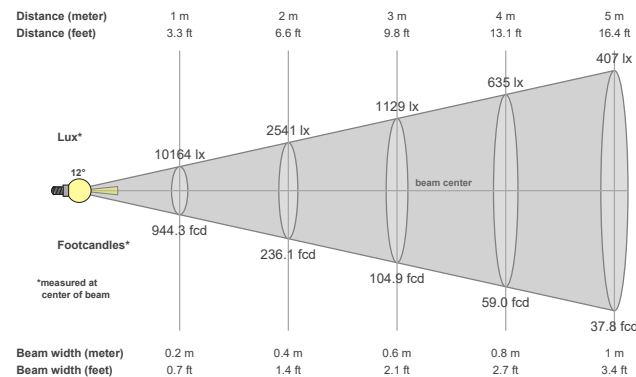


**Color vector graphics**



Color temperature	Color rendering index	Red component	Color fidelity	Color gamut	Color quality scale	Color coordinate cie 1931	Color coordinate cie 1931	Color coordinate	Color coordinate	Color deviation from black body
CCT	CRI	CRI R9	TM30 Rf	TM30 Rg	CQS	x	y	u	v	Δuv
3000 K	97.8	96.0	93.6	98.8	94.9	0.437	0.404	0.249	0.349	0.0014

**Beam details**



**Beam angels**

Beam angle 50%	Field angle 10%	Cutoff angle 2,5%
11.9°	25.9°	35.7°

**Beam intensities**

Peak intensity	Int. ratio in 120° cone	Int. ratio in 90° cone
10198 cd	99.2%	98.6%

**Beam intensities from 1-20m**

1m	2m	3m	4m	5m	6m	7m	8m	9m	10m	11m	12m	13m	14m	15m	16m	17m	18m	19m	20m
3.3ft	6.6ft	9.8ft	13.1ft	16.4ft	19.7ft	23ft	26.2ft	29.5ft	32.8ft	36.1ft	39.4ft	42.7ft	45.9ft	49.2ft	52.5ft	55.8ft	59.1ft	62.3ft	65.6ft
10164lx	2541lx	1129lx	635lx	407lx	282lx	207lx	159lx	125lx	102lx	84lx	71lx	60lx	52lx	45lx	40lx	35lx	31lx	28lx	25lx
944.3fcd	236.1fcd	104.9fcd	59fcd	37.8fcd	26.2fcd	19.3fcd	14.8fcd	11.7fcd	9.4fcd	7.8fcd	6.6fcd	5.6fcd	4.8fcd	4.2fcd	3.7fcd	3.3fcd	2.9fcd	2.6fcd	2.4fcd

The above information is for 3000K colour temperature, for specific module information please see LED spec located on our website

For information regarding other colour temperatures please use the following factors for lumen output and candelas:

2700K = 1

Light efficiency:

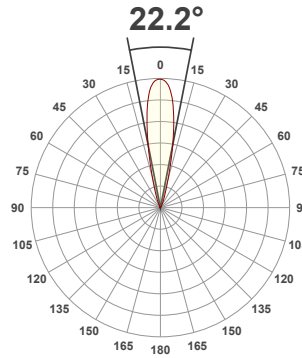
**51 Lumen/Watt**

Light quality:

**CRI: 97.7**

Color temperature:

**3000 K**



Product name:

**093+NL-LED-SQ - LED51\_U-30-24-350mA**

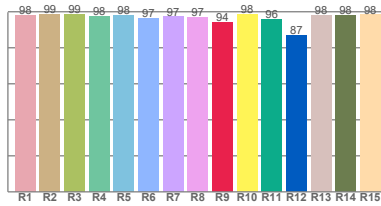
Item number:

**Plus Pyramidal Non-Locking Accent - LED51\_U-30-24-350mA**

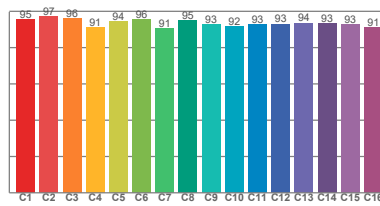
Delivered information for above fixture and LED combination.

Output: 690 Lumen Peak intensity: 3986 cd Power consumption: 13.6

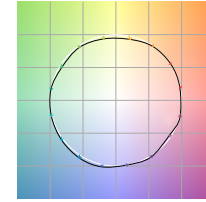
CRI R values



TM30 C Values

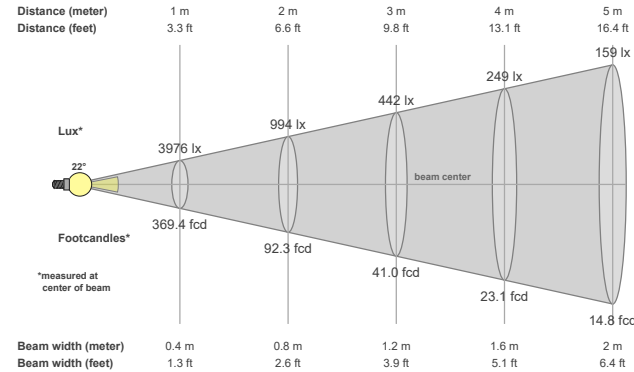


Color vector graphics



Color temperature	Color rendering index	Red component	Color fidelity	Color gamut	Color quality scale	Color coordinate cie 1931	Color coordinate cie 1931	Color coordinate	Color coordinate	Color deviation from black body
CCT	CRI	CRI R9	TM30 Rf	TM30 Rg	CQS	x	y	u	v	Δuv
3000 K	97.7	94.3	93.7	98.8	95.2	0.437	0.404	0.251	0.349	0.0008

## Beam details



## Beam angles

Beam angle 50%	Field angle 10%	Cutoff angle 2,5%
22.2°	39°	55.7°

## Beam intensities

Peak intensity	Int. ratio in 120° cone	Int. ratio in 90° cone
3986 cd	99.8%	99.4%

## Beam intensities from 1-20m

1m	2m	3m	4m	5m	6m	7m	8m	9m	10m	11m	12m	13m	14m	15m	16m	17m	18m	19m	20m
3.3ft	6.6ft	9.8ft	13.1ft	16.4ft	19.7ft	23ft	26.2ft	29.5ft	32.8ft	36.1ft	39.4ft	42.7ft	45.9ft	49.2ft	52.5ft	55.8ft	59.1ft	62.3ft	65.6ft
3976lx	994lx	442lx	249lx	159lx	110lx	81lx	62lx	49lx	40lx	33lx	28lx	24lx	20lx	18lx	16lx	14lx	12lx	11lx	10lx
369.4fcd	92.3fcd	41fcd	23.1fcd	14.8fcd	10.3fcd	7.5fcd	5.8fcd	4.6fcd	3.7fcd	3.1fcd	2.6fcd	2.2fcd	1.9fcd	1.6fcd	1.4fcd	1.3fcd	1.1fcd	1fcd	0.9fcd

The above information is for 3000K colour temperature, for specific module information please see LED spec located on our website

For information regarding other colour temperatures please use the following factors for lumen output and candelas:

2700K = 1

Light efficiency:

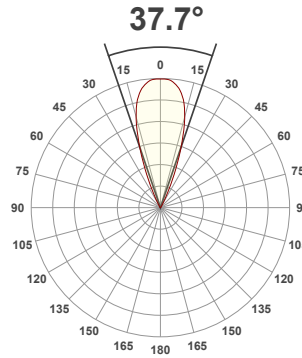
**61 Lumen/Watt**

Light quality:

**CRI: 97.9**

Color temperature:

**3000 K**



Product name:

**093+NL-LED-SQ - LED51\_U-30-38-350mA**

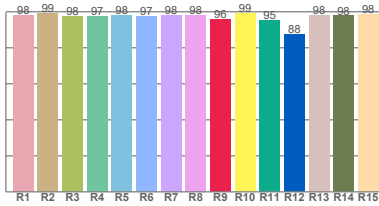
Item number:

**Plus Pyramidal Non-Locking Accent - LED51\_U-30-38-350mA**

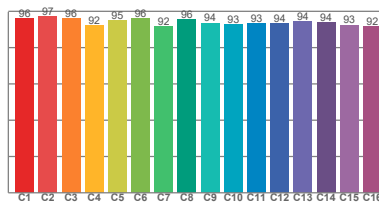
Delivered information for above fixture and LED combination.

Output: 837 Lumen Peak intensity: 2193 cd Power consumption: 13.6

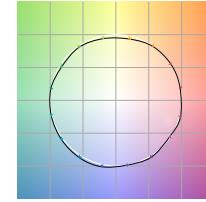
CRI R values



TM30 C Values

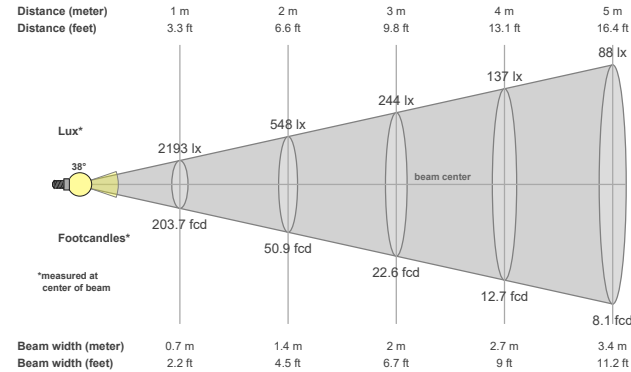


Color vector graphics



Color temperature	Color rendering index	Red component	Color fidelity	Color gamut	Color quality scale	Color coordinate cie 1931	Color coordinate cie 1931	Color coordinate	Color coordinate	Color deviation from black body
CCT	CRI	CRI R9	TM30 Rf	TM30 Rg	CQS	x	y	u	v	Δuv
3000 K	97.9	96.1	94.3	99.4	95.4	0.439	0.408	0.250	0.349	0.0012

## Beam details



## Beam angles

Beam angle 50%	Field angle 10%	Cutoff angle 2,5%
37.7°	53.7°	64.9°

## Beam intensities

Peak intensity	Int. ratio in 120° cone	Int. ratio in 90° cone
2193 cd	99.5%	99.0%

## Beam intensities from 1-20m

1m	2m	3m	4m	5m	6m	7m	8m	9m	10m	11m	12m	13m	14m	15m	16m	17m	18m	19m	20m
3.3ft	6.6ft	9.8ft	13.1ft	16.4ft	19.7ft	23ft	26.2ft	29.5ft	32.8ft	36.1ft	39.4ft	42.7ft	45.9ft	49.2ft	52.5ft	55.8ft	59.1ft	62.3ft	65.6ft
2193lx	548lx	244lx	137lx	88lx	61lx	45lx	34lx	27lx	22lx	18lx	15lx	13lx	11lx	10lx	9lx	8lx	7lx	6lx	5lx
203.7fcd	50.9fcd	22.6fcd	12.7fcd	8.1fcd	5.7fcd	4.2fcd	3.2fcd	2.5fcd	2fcd	1.7fcd	1.4fcd	1.2fcd	1fcd	0.9fcd	0.8fcd	0.7fcd	0.6fcd	0.6fcd	0.5fcd

The above information is for 3000K colour temperature, for specific module information please see LED spec located on our website

For information regarding other colour temperatures please use the following factors for lumen output and candelas:

$$2700K = 1$$

Light efficiency:

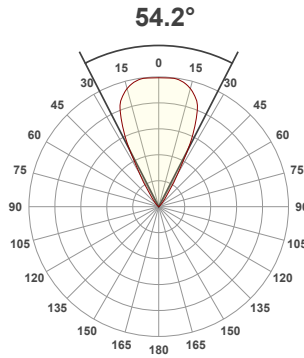
**55 Lumen/Watt**

Light quality:

**CRI: 97.9**

Color temperature:

**3000 K**



Product name:

**093+NL-LED-SQ - LED51\_U-30-55-350mA**

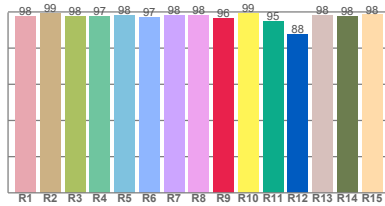
Item number:

**Plus Pyramidal Non-Locking Accent - LED51\_U-30-55-350mA**

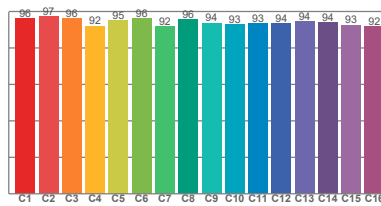
Delivered information for above fixture and LED combination.

Output: 750 Lumen Peak intensity: 997 cd Power consumption: 13.6

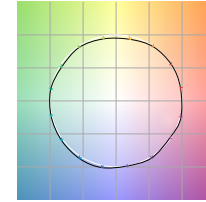
CRI R values



TM30 C Values

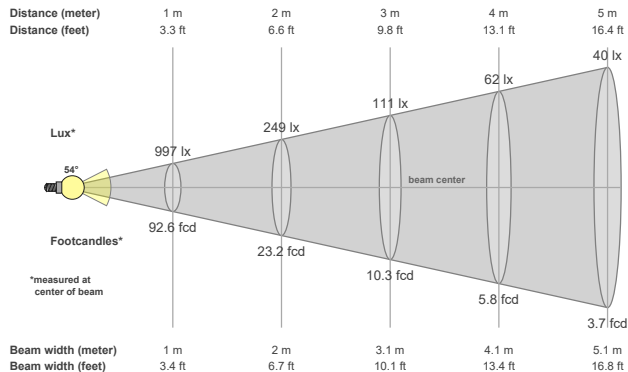


Color vector graphics



Color temperature	Color rendering index	Red component	Color fidelity	Color gamut	Color quality scale	Color coordinate cie 1931	Color coordinate cie 1931	Color coordinate	Color coordinate	Color deviation from black body
CCT	CRI	CRI R9	TM30 Rf	TM30 Rg	CQS	x	y	u	v	Δuv
3000 K	97.9	96.3	94.3	99.4	95.4	0.437	0.404	0.251	0.348	0.0012

### Beam details



### Beam angels

Beam angle 50%	Field angle 10%	Cutoff angle 2,5%
54.2°	72.5°	91.3°

### Beam intensities

Peak intensity	Int. ratio in 120° cone	Int. ratio in 90° cone
997 cd	99.3%	97.8%

### Beam intensities from 1-20m

1m	2m	3m	4m	5m	6m	7m	8m	9m	10m	11m	12m	13m	14m	15m	16m	17m	18m	19m	20m
3.3ft	6.6ft	9.8ft	13.1ft	16.4ft	19.7ft	23ft	26.2ft	29.5ft	32.8ft	36.1ft	39.4ft	42.7ft	45.9ft	49.2ft	52.5ft	55.8ft	59.1ft	62.3ft	65.6ft
997lx	249lx	111lx	62lx	40lx	28lx	20lx	16lx	12lx	10lx	8lx	7lx	6lx	5lx	4lx	4lx	3lx	3lx	3lx	2lx
92.6fcd	23.2fcd	10.3fcd	5.8fcd	3.7fcd	2.6fcd	1.9fcd	1.4fcd	1.1fcd	0.9fcd	0.8fcd	0.6fcd	0.5fcd	0.5fcd	0.4fcd	0.4fcd	0.3fcd	0.3fcd	0.3fcd	0.2fcd

The above information is for 3000K colour temperature, for specific module information please see LED spec located on our website

For information regarding other colour temperatures please use the following factors for lumen output and candelas:

2700K = 1