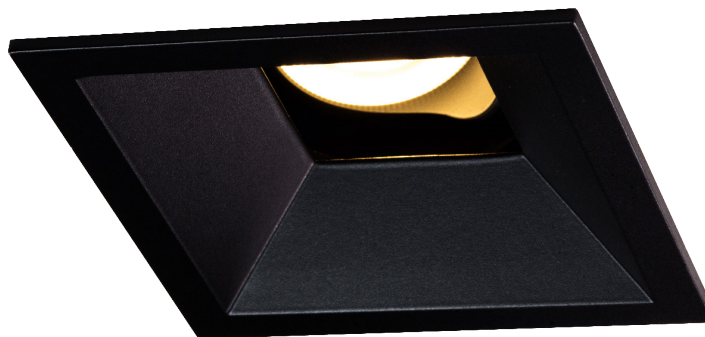
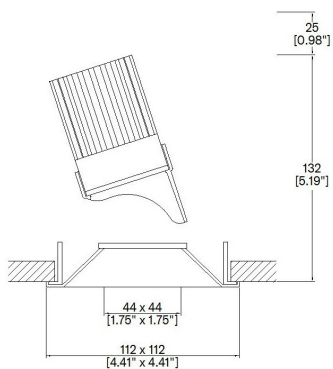


Plus3.5 Pyramidal Accent



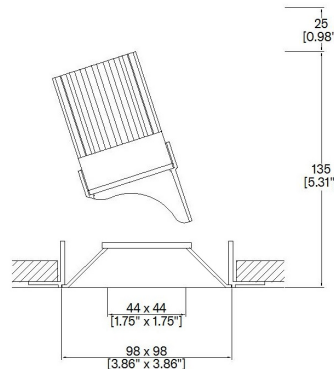
Plus provides high performance electronics and architectural aesthetics in round and square 3.5" and 5" trim. Plus products include adjustable, fixed and wallwash in a flanged or trimless installation kit. Adjustable can be provided with gear driven adjustment or manual adjustment. Available in various front plates (Conical, Bevel, Edge, Pyramidal and Square Bevel) Bevel and Square Bevel available with various color inserts. Tray, retrofit and housing installation methods (NIC, IC, AT, T24 and CCEA) Multiple configurations for equal spacing also available. Lucent modules available in a wide range of color temperatures, beam angles, intensities, and effects (Ambiance WarmDim and Dynamic Tuneable White). MR16 and GU10 LED lamp options available. TRIAC/Phase, 0-10v/1-10v, DMX and DALI/Digital dimming.



A093+LED-TR-SQ
359° rotation. Up to 45° tilt.
Cut-out 102 x 102mm
(4.02" x 4.02")



Installation kit for overlap flange



A093+LED-TL-SQ
359° rotation. Up to 45° tilt.
Cut-out 102 x 102mm
(4.02" x 4.02")



Mud-in kit for seamless/trimless

LED Source	LED51/2	LED51/2	LED51/2	LED51/2	LED51/U	LED51/U	LED51/U	LED51/U
CCT	3000K	3000K	3000K	3000K	3000K	3000K	3000K	3000K
Drive Current	350mA	350mA	350mA	350mA	350mA	350mA	350mA	350mA
Power inc Driver	13.6W	13.6W	13.6W	13.6W	13.6W	13.6W	13.6W	13.6W
Beam Angle	12°	24°	38°	55°	12°	24°	38°	55°
Delivered Lumens	710	764	805	712	766	676	789	624
Delivered Intensity cd	9915	4062	2450	1147	10044	3925	2193	985
Efficacy lm/w	52	56	59	53	56	50	58	46
Forward Volt	33V	33V	33V	33V	33V	33V	33V	33V
CRI	≥90 CRI	≥90 CRI	≥90 CRI	≥90 CRI	≥98 CRI	≥98 CRI	≥98 CRI	≥98 CRI

Project Ref: _____

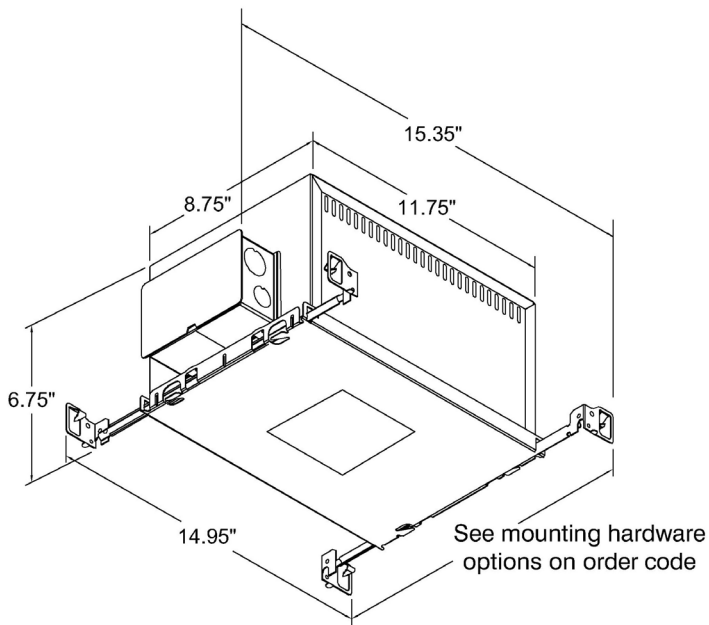
Location Ref: _____

Specify fixture part number (All boxes must be filled in to correctly order)

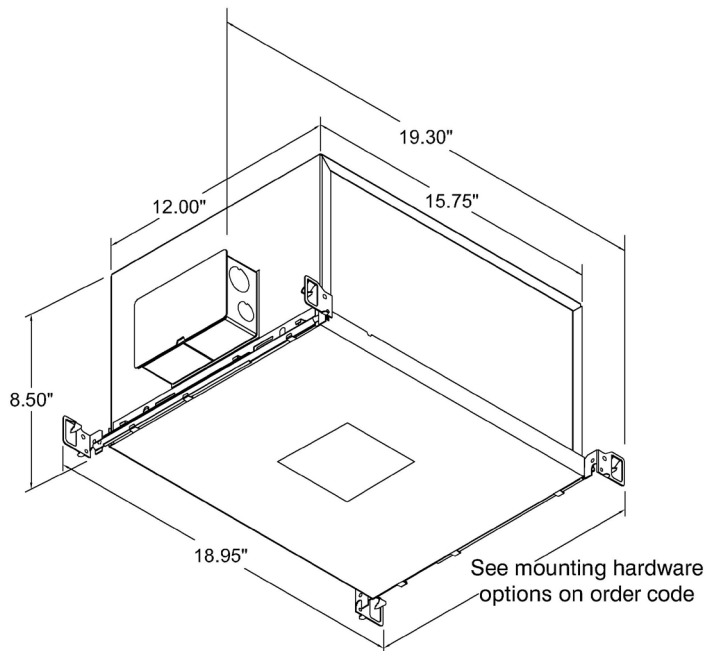
A093+LED																	
Installation																	
TR-SQ	Flange kit																
TL-SQ	Mud-in kit																
Finish																	
WH	White																
BK	Black																
RAL	Custom*																
Location																	
XX	Dry																
DP	Damp																
Ceiling Thickness																	
SC	Standard Ceiling (1/2"-5/8"-3/4")																
C	Custom																
LED Type																	
LED51/2	LED51/2 (90CRI)																
LED51/U	LED51/U (98CRI)																
CCT																	
27	2700K																
30	3000K																
35	3500K																
40	4000K (90 CRI ONLY)																
Beam Angles																	
12	12																
24	24																
38	38																
55	55																
Housing/Tray																	
LMT-13-NIC	Mounting Tray Non-Insulated ceilings																
LH-6.75-NIC	Housing 6.75" Non-Insulated ceilings																
LH-8.50-AT/IC	Housing 8.50" Insulated/Air-tight ceilings and Chicago Plenum																
Mounting Hardware																	
09	9" to 15.25" - Adjustable Bar Hanger Lengths																
14	14" to 24" - Adjustable Bar Hanger Lengths																
36	28" to 36" - Adjustable Bar Hanger Lengths																
BB	Butterfly Bracket																
CB	Caterpillar Bracket																
Supply Voltage																	
120	120V																
277	277V																
Dimming Protocol																	
S	Non-Dimmable																
P	TRIAC/Phase (120V ONLY) (25-10% Minimum Dimming)***																
AWN	Athena wireless RF node****																
LHE	EcoSystem Hi-Lume Fade to Black (1% Dimming)																
LAE	Lutron 3-Wire Hi-Lume (1% Dimming)																
LHP	Lutron Hi-Lume Premier EcoSystem (0.1% Dimming)																
A	0-10V (15-5% Minimum Dimming)***																
ESD	EldoLED Solo DALI2 (0.1% Dimming)																
EED	EldoLED Eco DALI2 (1% Dimming)																
ESA	EldoLED Solo 0-10V/1-10V (0.1% Dimming)																
EEA	EldoLED Eco 0-10V/1-10V (1% Dimming)																
B	Bluetooth**																
		Emergency												Louvre/Lens			
		E 1.5h Emergency												XX Not required			
		ES 1.5h Self test												LL45 Honeycomb			
										LLCC Warm Tone							
										LLUV UV							
										LLDF Solite/Diffusing							
										LLFR Frosted Lens							
										LLLS Linear Spread							
										LLHS Heavy Spread							

*Refer to Technical Details for more information

Housing dimensions

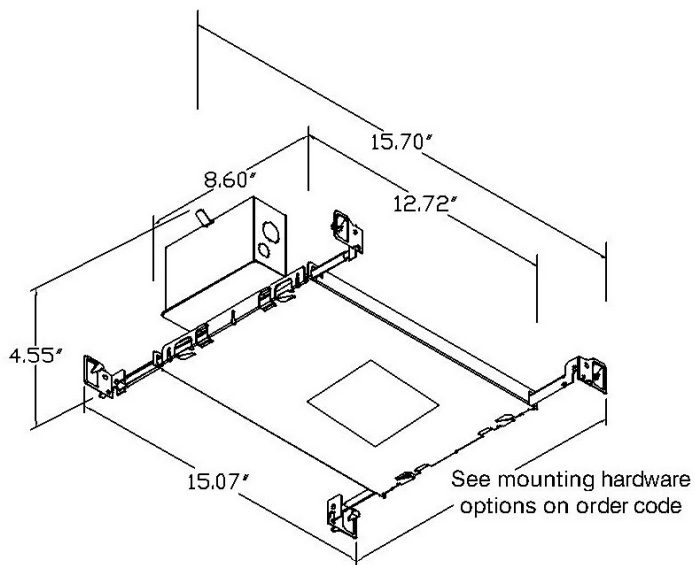


LH-6.75
Non-insulated ceilings



LH-8.50
Insulated/air-tight ceilings and
Chicago Plenum

Tray dimensions



LMT-13
Non-insulated ceilings



Honeycomb Louvre (LL45)



Solite/Diffusing Lens (LLDF)



Frosted Lens (LLFR)



Heavy Spread Lens (LLHS)



Linear Spread Lens (LLLS)



Warm Tone (LLCC)

.....

Technical Details

*Custom color requires a paint chip or RAL code and may increase price and lead-time

It is the responsibility of the specifier/integrator/installer to check and ensure compatibility of any control equipment used. Additional cabling may be required depending on the dimming protocol specified.

**DALI Type 6 requires two DALI addresses, one for CCT control the other for intensity control. DALI Type 8 is a single DALI Type 8 address for CCT and intensity control. Please check which control system is being used before specifying.

**** Available for integration with Lutron Athena Control systems. Please contact Lucent Lighting Inc./Lutron factory for further details.

^ Depth indicated is the minimum recess depth for the luminaire with a remote mounted LED driver. Installing a driver through either the luminaire cut-out or installation kit may require additional recess depth, please refer to the relevant installation instructions prior to purchase.

First Fix Requirement. Luminaire comprised of fixture body with ceiling trim and installation kit, which is to be fitted into the ceiling once finished. Ensure correct alignment of the installation kit before final assembly (see luminaire installation instructions for details)

Location. Tested from underside of the ceiling.

Data correct at time of publishing. It is the policy of Lucent Lighting to continually review and improve its products and therefore reserve the right to change any details of product or withdraw specifications without prior notice.

This specification sheet supersedes all previous versions.

All intellectual property rights pertaining to the product described above and to this document are owned by or licensed to Lucent Lighting, Incorporated. Lucent Lighting reserves the right to take whatever action is necessary to protect its intellectual property, patents and trademarks

Please notify Lucent Lighting Inc. inaccuracies. E&OE

.....



Light efficiency:

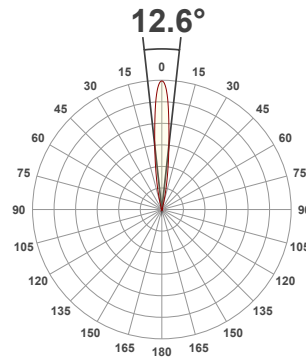
52 Lumen/Watt

Light quality:

CRI: 92.2

Color temperature:

3000 K



Product name:

Plus Pyramidal Accent - LED51 GEN2, 3000, 12°, 350mA

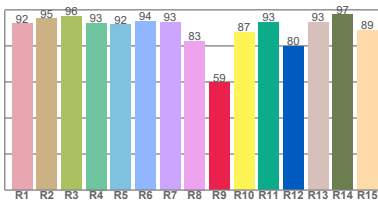
Item number:

093+SQ-LED51/2-30-12-350mA

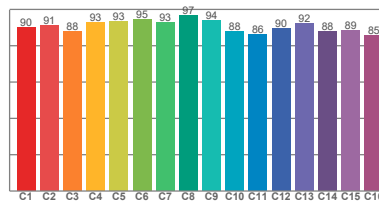
Delivered information for above fixture and LED combination.

Output: 710 Lumen Peak intensity: 9915 cd Power consumption: 13.6

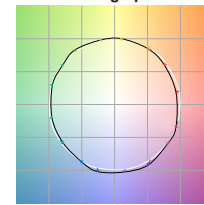
CRI R values



TM30 C Values

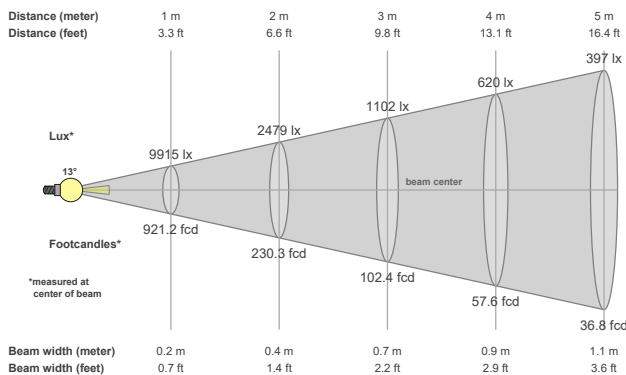


Color vector graphics



Color temperature	Color rendering index	Red component	Color fidelity	Color gamut	Color quality scale	Color coordinate cie 1931	Color coordinate cie 1931	Color coordinate	Color coordinate	Color deviation from black body
CCT	CRI	CRI R9	TM30 Rf	TM30 Rg	CQS	x	y	u	v	Δuv
3000 K	92.2	59.5	90.7	99.8	90.5	0.437	0.404	0.249	0.347	0.0002

Beam details



Beam angles

Beam angle 50%	Field angle 10%	Cutoff angle 2,5%
12.6°	26°	36.2°

Beam intensities

Peak intensity	Int. ratio in 120° cone	Int. ratio in 90° cone
9915 cd	99.4%	98.9%

Beam intensities from 1-20m

1m	2m	3m	4m	5m	6m	7m	8m	9m	10m	11m	12m	13m	14m	15m	16m	17m	18m	19m	20m
3.3ft	6.6ft	9.8ft	13.1ft	16.4ft	19.7ft	23ft	26.2ft	29.5ft	32.8ft	36.1ft	39.4ft	42.7ft	45.9ft	49.2ft	52.5ft	55.8ft	59.1ft	62.3ft	65.6ft
9915lx	2479lx	1102lx	620lx	397lx	275lx	202lx	155lx	122lx	99lx	82lx	69lx	59lx	51lx	44lx	39lx	34lx	31lx	27lx	25lx
921.2fcd	230.3fcd	102.4fcd	57.6fcd	36.8fcd	25.6fcd	18.8fcd	14.4fcd	11.4fcd	9.2fcd	7.6fcd	6.4fcd	5.5fcd	4.7fcd	4.1fcd	3.6fcd	3.2fcd	2.8fcd	2.6fcd	2.3fcd

The above information is for 3000K colour temperature, for specific module information please see LED spec located on our website

For information regarding other colour temperatures please use the following factors for lumen output and candelas:

2700K = 1
4000K = 1.084

Light efficiency:

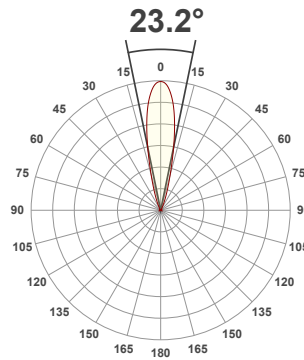
56 Lumen/Watt

Light quality:

CRI: 92.0

Color temperature:

3000 K



Product name:

Plus Pyramidal Accent - LED51 GEN2, 3000, 24°, 350mA

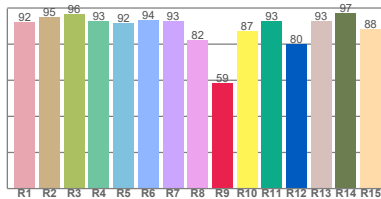
Item number:

093+SQ-LED51/2-30-24-350mA

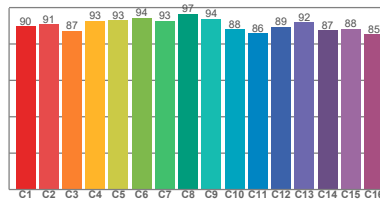
Delivered information for above fixture and LED combination.

Output: 764 Lumen Peak intensity: 4062 cd Power consumption: 13.6

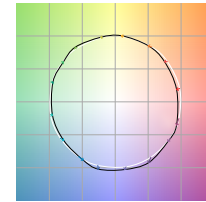
CRI R values



TM30 C Values

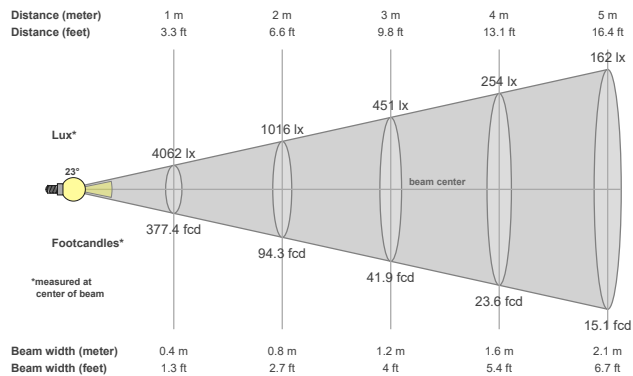


Color vector graphics



Color temperature	Color rendering index	Red component	Color fidelity	Color gamut	Color quality scale	Color coordinate cie 1931	Color coordinate cie 1931	Color coordinate	Color coordinate	Color deviation from black body
CCT	CRI	CRI R9	TM30 Rf	TM30 Rg	CQS	x	y	u	v	Δuv
3000 K	92.0	58.6	90.5	99.9	90.3	0.437	0.404	0.249	0.347	0.0001

Beam details



Beam angles

Beam angle 50%	Field angle 10%	Cutoff angle 2,5%
23.2°	42.1°	55.9°

Beam intensities

Peak intensity	Int. ratio in 120° cone	Int. ratio in 90° cone
4062 cd	99.7%	99.5%

Beam intensities from 1-20m

1m	2m	3m	4m	5m	6m	7m	8m	9m	10m	11m	12m	13m	14m	15m	16m	17m	18m	19m	20m
3.3ft	6.6ft	9.8ft	13.1ft	16.4ft	19.7ft	23ft	26.2ft	29.5ft	32.8ft	36.1ft	39.4ft	42.7ft	45.9ft	49.2ft	52.5ft	55.8ft	59.1ft	62.3ft	65.6ft
4062lx	1016lx	451lx	254lx	162lx	113lx	83lx	63lx	50lx	41lx	34lx	28lx	24lx	21lx	18lx	16lx	14lx	13lx	11lx	10lx
377.4fcd	94.3fcd	41.9fcd	23.6fcd	15.1fcd	10.5fcd	7.7fcd	5.9fcd	4.7fcd	3.8fcd	3.1fcd	2.6fcd	2.2fcd	1.9fcd	1.7fcd	1.5fcd	1.3fcd	1.2fcd	1fcd	0.9fcd

The above information is for 3000K colour temperature, for specific module information please see LED spec located on our website

For information regarding other colour temperatures please use the following factors for lumen output and candelas:

2700K = 1

4000K = 1.084

Light efficiency:

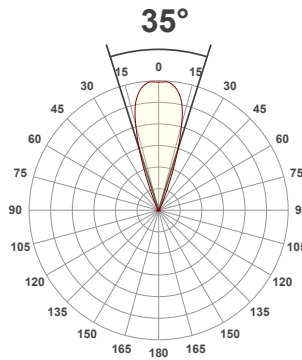
59 Lumen/Watt

Light quality:

CRI: 92.0

Color temperature:

3000 K



Product name:

Plus Pyramidal Accent - LED51 GEN2, 3000K, 38°, 350mA

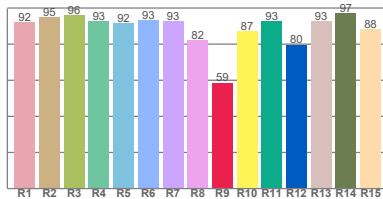
Item number:

093+SQ-LED51/2-30-38-350mA

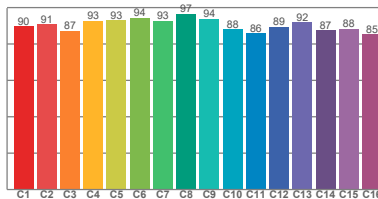
Delivered information for above fixture and LED combination.

Output: 805 Lumen Peak intensity: 2450 cd Power consumption: 13.6

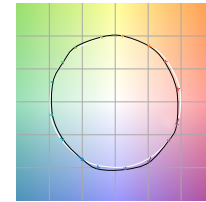
CRI R values



TM30 C Values

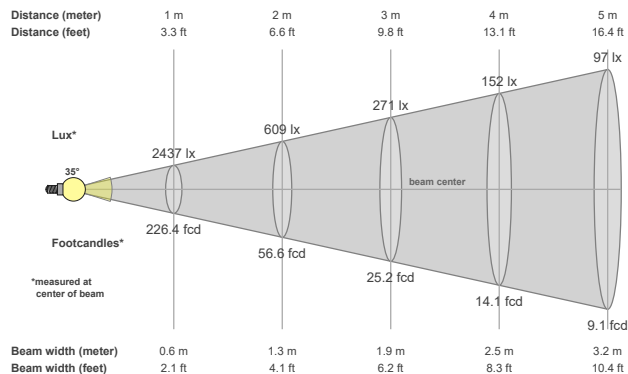


Color vector graphics



Color temperature	Color rendering index	Red component	Color fidelity	Color gamut	Color quality scale	Color coordinate cie 1931	Color coordinate cie 1931	Color coordinate	Color coordinate	Color deviation from black body
CCT	CRI	CRI R9	TM30 Rf	TM30 Rg	CQS	x	y	u	v	Δuv
3000 K	92.0	58.7	90.5	99.9	90.3	0.437	0.404	0.249	0.347	0.0001

Beam details



Beam angels

Beam angle 50%	Field angle 10%	Cutoff angle 2,5%
35°	49.1°	61°

Beam intensities

Peak intensity	Int. ratio in 120° cone	Int. ratio in 90° cone
2450 cd	99.8%	99.6%

Beam intensities from 1-20m

1m	2m	3m	4m	5m	6m	7m	8m	9m	10m	11m	12m	13m	14m	15m	16m	17m	18m	19m	20m
3.3ft	6.6ft	9.8ft	13.1ft	16.4ft	19.7ft	23ft	26.2ft	29.5ft	32.8ft	36.1ft	39.4ft	42.7ft	45.9ft	49.2ft	52.5ft	55.8ft	59.1ft	62.3ft	65.6ft
2437lx	609lx	271lx	152lx	97lx	68lx	50lx	38lx	30lx	24lx	20lx	17lx	14lx	12lx	11lx	10lx	8lx	8lx	7lx	6lx
226.4fcd	56.6fcd	25.2fcd	14.1fcd	9.1fcd	6.3fcd	4.6fcd	3.5fcd	2.8fcd	2.3fcd	1.9fcd	1.6fcd	1.3fcd	1.2fcd	1fcd	0.9fcd	0.8fcd	0.7fcd	0.6fcd	0.6fcd

The above information is for 3000K colour temperature, for specific module information please see LED spec located on our website

For information regarding other colour temperatures please use the following factors for lumen output and candelas:

2700K = 1

4000K = 1.084

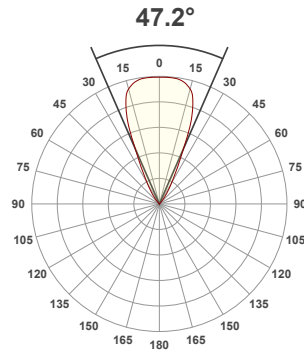
Light efficiency:



Light quality:



Color temperature:



Product name:

**Plus Pyramidal Accent - LED51
GEN2, 3000K, 55°, 350mA**

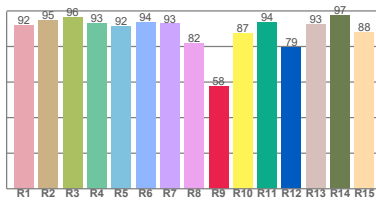
Item number:

093+SQ-LED51/2-30-55-350mA

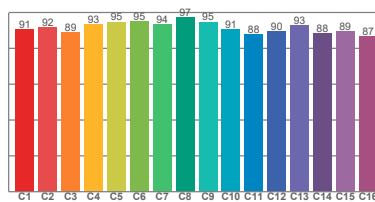
**Delivered information for above
fixture and LED combination.**

Output: 712 Lumen Peak intensity: 1147 cd Power consumption: 13.5

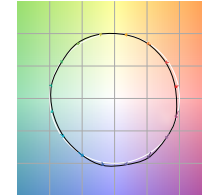
CRI R values



TM30 C Values

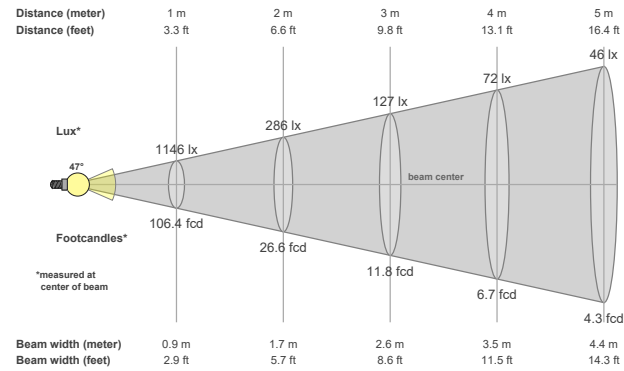


Color vector graphics



Color temperature	Color rendering index	Red component	Color fidelity	Color gamut	Color quality scale	Color coordinate cie 1931	Color coordinate cie 1931	Color coordinate	Color coordinate	Color deviation from black body
CCT	CRI	CRI R9	TM30 Rf	TM30 Rg	CQS	x	y	u	v	Δuv
3000 K	92.1	57.7	91.6	99.7	90.5	0.437	0.404	0.251	0.348	0.0007

Beam details



Beam angles

Beam angle 50%	Field angle 10%	Cutoff angle 2,5%
47.2°	70.2°	84.8°

Beam intensities

Peak intensity	Int. ratio in 120° cone	Int. ratio in 90° cone
1147 cd	99.5%	99.0%

Beam intensities from 1-20m

1m	2m	3m	4m	5m	6m	7m	8m	9m	10m	11m	12m	13m	14m	15m	16m	17m	18m	19m	20m
3.3ft	6.6ft	9.8ft	13.1ft	16.4ft	19.7ft	23ft	26.2ft	29.5ft	32.8ft	36.1ft	39.4ft	42.7ft	45.9ft	49.2ft	52.5ft	55.8ft	59.1ft	62.3ft	65.6ft
1146lx	286lx	127lx	72lx	46lx	32lx	23lx	18lx	14lx	11lx	9lx	8lx	7lx	6lx	5lx	4lx	4lx	4lx	3lx	3lx
106.4fcd	26.6fcd	11.8fcd	6.7fcd	4.3fcd	3fcd	2.2fcd	1.7fcd	1.3fcd	1.1fcd	0.9fcd	0.7fcd	0.6fcd	0.5fcd	0.5fcd	0.4fcd	0.4fcd	0.3fcd	0.3fcd	0.3fcd

The above information is for 3000K colour temperature, for specific module information please see LED spec located on our website

For information regarding other colour temperatures please use the following factors for lumen output and candelas:

2700K = 1
4000K = 1.084

Light efficiency:

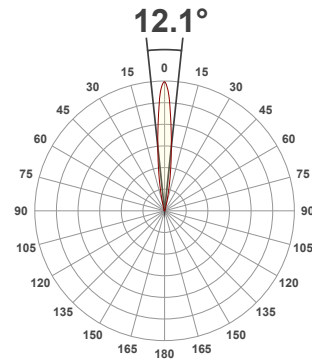
56 Lumen/Watt

Light quality:

CRI: 97.8

Color temperature:

3000 K



Product name:

093+LED-SQ - LED51_U-30-12-350mA

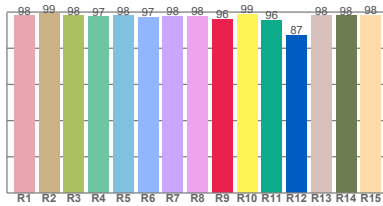
Item number:

Plus Pyramidal Locking Accent - LED51_U-30-12-350mA

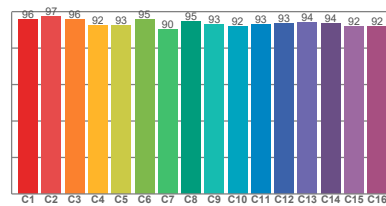
Delivered information for above fixture and LED combination.

Output: 766 Lumen Peak intensity: 10044 cd Power consumption: 13.6

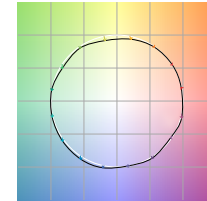
CRI R values



TM30 C Values

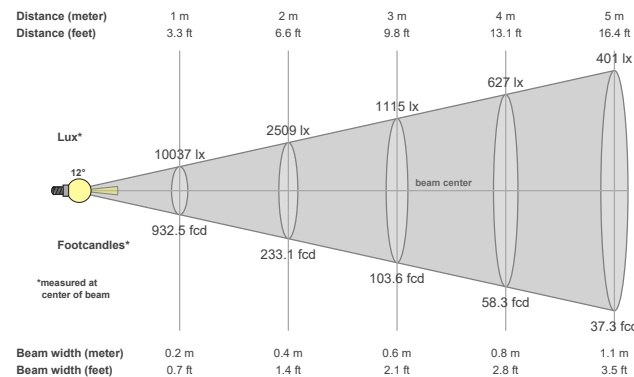


Color vector graphics



Color temperature	Color rendering index	Red component	Color fidelity	Color gamut	Color quality scale	Color coordinate cie 1931	Color coordinate cie 1931	Color coordinate	Color coordinate	Color deviation from black body
CCT	CRI	CRI R9	TM30 Rf	TM30 Rg	CQS	x	y	u	v	Δuv
3000 K	97.8	95.9	93.7	98.9	94.9	0.437	0.404	0.250	0.349	0.0014

Beam details



Beam angels

Beam angle 50%	Field angle 10%	Cutoff angle 2,5%
12.1°	26°	35.7°

Beam intensities

Peak intensity	Int. ratio in 120° cone	Int. ratio in 90° cone
10044 cd	99.3%	94.3%

Beam intensities from 1-20m

1m	2m	3m	4m	5m	6m	7m	8m	9m	10m	11m	12m	13m	14m	15m	16m	17m	18m	19m	20m
3.3ft	6.6ft	9.8ft	13.1ft	16.4ft	19.7ft	23ft	26.2ft	29.5ft	32.8ft	36.1ft	39.4ft	42.7ft	45.9ft	49.2ft	52.5ft	55.8ft	59.1ft	62.3ft	65.6ft
10037lx	2509lx	1115lx	627lx	401lx	279lx	205lx	157lx	124lx	100lx	83lx	70lx	59lx	51lx	45lx	39lx	35lx	31lx	28lx	25lx
932.5fcd	233.1fcd	103.6fcd	58.3fcd	37.3fcd	25.9fcd	19fcd	14.6fcd	11.5fcd	9.3fcd	7.7fcd	6.5fcd	5.5fcd	4.8fcd	4.1fcd	3.6fcd	3.2fcd	2.9fcd	2.6fcd	2.3fcd

The above information is for 3000K colour temperature, for specific module information please see LED spec located on our website

For information regarding other colour temperatures please use the following factors for lumen output and candelas:

2700K = 1

Light efficiency:

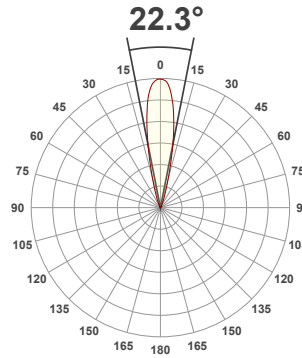
50 Lumen/Watt

Light quality:

CRI: 97.7

Color temperature:

3000 K



Product name:

093+LED-SQ - LED51_U-30-24-350mA

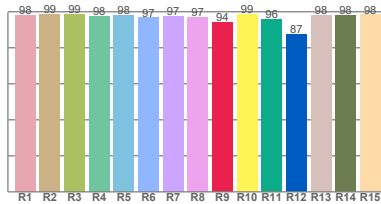
Item number:

Plus Pyramidal Locking Accent - LED51_U-30-24-350mA

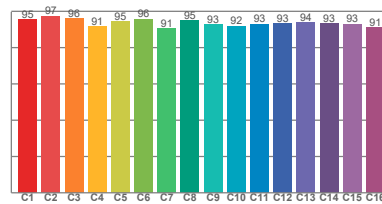
Delivered information for above fixture and LED combination.

Output: 676 Lumen Peak intensity: 3925 cd Power consumption: 13.6

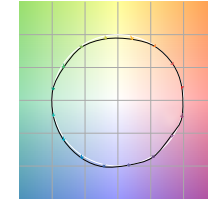
CRI R values



TM30 C Values

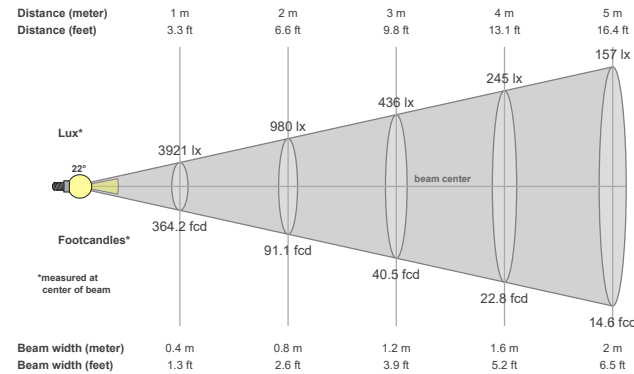


Color vector graphics



Color temperature	Color rendering index	Red component	Color fidelity	Color gamut	Color quality scale	Color coordinate cie 1931	Color coordinate cie 1931	Color coordinate	Color coordinate	Color deviation from black body
CCT	CRI	CRI R9	TM30 Rf	TM30 Rg	CQS	x	y	u	v	Δuv
3000 K	97.7	94.2	93.8	98.8	95.2	0.437	0.404	0.251	0.349	0.0009

Beam details



Beam angles

Beam angle 50%	Field angle 10%	Cutoff angle 2,5%
22.3°	38.8°	53.5°

Beam intensities

Peak intensity	Int. ratio in 120° cone	Int. ratio in 90° cone
3925 cd	99.2%	98.1%

Beam intensities from 1-20m

1m	2m	3m	4m	5m	6m	7m	8m	9m	10m	11m	12m	13m	14m	15m	16m	17m	18m	19m	20m
3.3ft	6.6ft	9.8ft	13.1ft	16.4ft	19.7ft	23ft	26.2ft	29.5ft	32.8ft	36.1ft	39.4ft	42.7ft	45.9ft	49.2ft	52.5ft	55.8ft	59.1ft	62.3ft	65.6ft
3921lx	980lx	436lx	245lx	157lx	109lx	80lx	61lx	48lx	39lx	32lx	27lx	23lx	20lx	17lx	15lx	14lx	12lx	11lx	10lx
364.2fcd	91.1fcd	40.5fcd	22.8fcd	14.6fcd	10.1fcd	7.4fcd	5.7fcd	4.5fcd	3.6fcd	3fcd	2.5fcd	2.2fcd	1.9fcd	1.6fcd	1.4fcd	1.3fcd	1.1fcd	1fcd	0.9fcd

The above information is for 3000K colour temperature, for specific module information please see LED spec located on our website

For information regarding other colour temperatures please use the following factors for lumen output and candelas:

2700K = 1

Light efficiency:

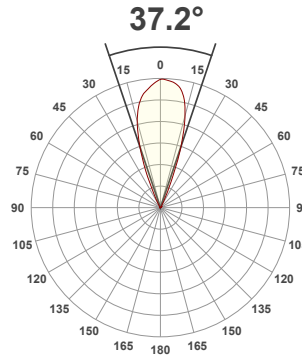
58 Lumen/Watt

Light quality:

CRI: 97.9

Color temperature:

3000 K



Product name:

093+LED-SQ - LED51_U-30-38-350mA

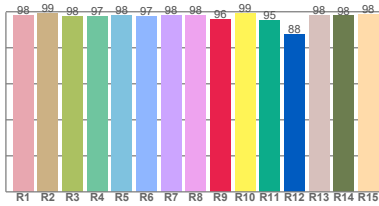
Item number:

Plus Pyramidal Locking Accent - LED51_U-30-38-350mA

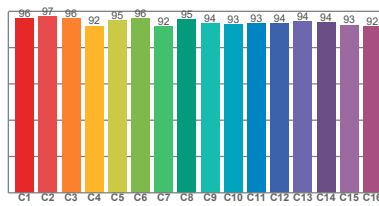
Delivered information for above fixture and LED combination.

Output: 789 Lumen Peak intensity: 2193 cd Power consumption: 13.6

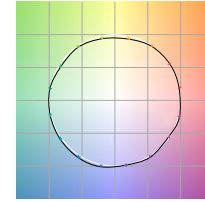
CRI R values



TM30 C Values

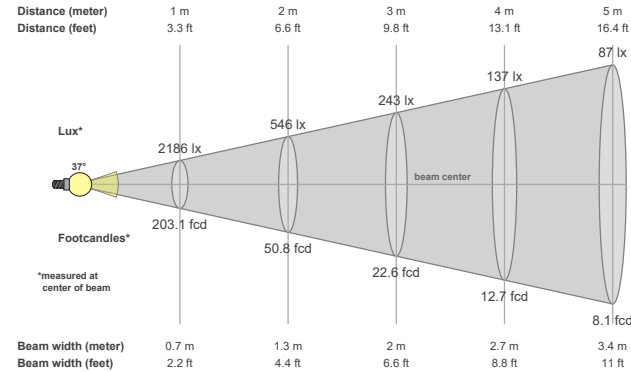


Color vector graphics



Color temperature	Color rendering index	Red component	Color fidelity	Color gamut	Color quality scale	Color coordinate cie 1931	Color coordinate cie 1931	Color coordinate	Color coordinate	Color deviation from black body
CCT	CRI	CRI R9	TM30 Rf	TM30 Rg	CQS	x	y	u	v	Δuv
3000 K	97.9	96.0	94.2	99.3	95.3	0.437	0.404	0.250	0.349	0.0012

Beam details



Beam angles

Beam angle 50%	Field angle 10%	Cutoff angle 2,5%
37.2°	51.3°	62.3°

Beam intensities

Peak intensity	Int. ratio in 120° cone	Int. ratio in 90° cone
2193 cd	99.3%	98.4%

Beam intensities from 1-20m

1m	2m	3m	4m	5m	6m	7m	8m	9m	10m	11m	12m	13m	14m	15m	16m	17m	18m	19m	20m
3.3ft	6.6ft	9.8ft	13.1ft	16.4ft	19.7ft	23ft	26.2ft	29.5ft	32.8ft	36.1ft	39.4ft	42.7ft	45.9ft	49.2ft	52.5ft	55.8ft	59.1ft	62.3ft	65.6ft
2186lx	546lx	243lx	137lx	87lx	61lx	45lx	34lx	27lx	22lx	18lx	15lx	13lx	11lx	10lx	9lx	8lx	7lx	6lx	5lx
203.1fcd	50.8fcd	22.6fcd	12.7fcd	8.1fcd	5.6fcd	4.1fcd	3.2fcd	2.5fcd	2fcd	1.7fcd	1.4fcd	1.2fcd	1fcd	0.9fcd	0.8fcd	0.7fcd	0.6fcd	0.6fcd	0.5fcd

The above information is for 3000K colour temperature, for specific module information please see LED spec located on our website

For information regarding other colour temperatures please use the following factors for lumen output and candelas:

2700K = 1

Light efficiency:

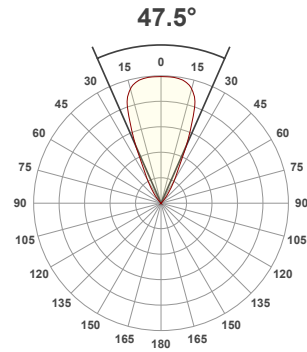
46 Lumen/Watt

Light quality:

CRI: 98.0

Color temperature:

3000 K



Product name:

**093+LED-SQ -
LED51_U-30-55-350mA**

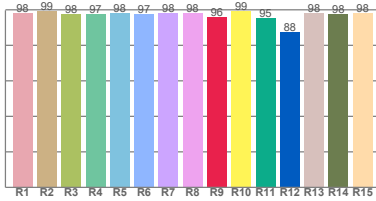
Item number:

**Plus Pyramidal Locking Accent -
LED51_U-30-55-350mA**

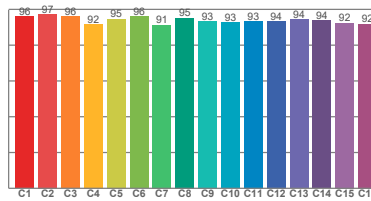
**Delivered information for above
fixture and LED combination.**

Output: 624 Lumen Peak intensity: 985 cd Power consumption: 13.6

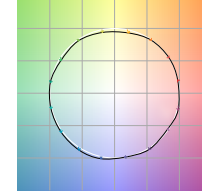
CRI R values



TM30 C Values

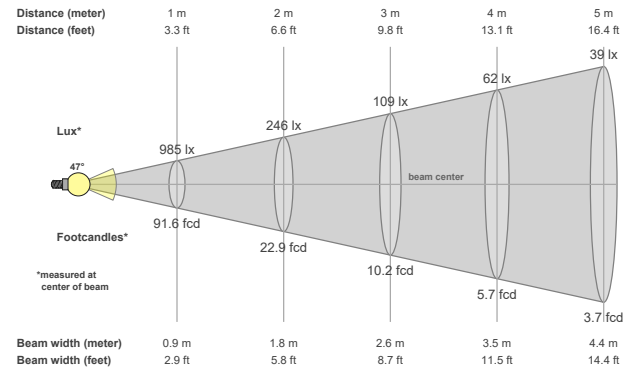


Color vector graphics



Color temperature	Color rendering index	Red component	Color fidelity	Color gamut	Color quality scale	Color coordinate cie 1931	Color coordinate cie 1931	Color coordinate	Color coordinate	Color deviation from black body
CCT	CRI	CRI R9	TM30 Rf	TM30 Rg	CQS	x	y	u	v	Δuv
3000 K	98.0	96.0	94.1	99.3	95.2	0.437	0.404	0.251	0.348	0.0014

Beam details



Beam angles

Beam angle 50%	Field angle 10%	Cutoff angle 2,5%
47.5°	71.4°	84.7°

Beam intensities

Peak intensity	Int. ratio in 120° cone	Int. ratio in 90° cone
985 cd	99.4%	98.9%

Beam intensities from 1-20m

1m	2m	3m	4m	5m	6m	7m	8m	9m	10m	11m	12m	13m	14m	15m	16m	17m	18m	19m	20m
3.3ft	6.6ft	9.8ft	13.1ft	16.4ft	19.7ft	23ft	26.2ft	29.5ft	32.8ft	36.1ft	39.4ft	42.7ft	45.9ft	49.2ft	52.5ft	55.8ft	59.1ft	62.3ft	65.6ft
985lx	246lx	109lx	62lx	39lx	27lx	20lx	15lx	12lx	10lx	8lx	7lx	6lx	5lx	4lx	4lx	3lx	3lx	3lx	2lx
91.6fcd	22.9fcd	10.2fcd	5.7fcd	3.7fcd	2.5fcd	1.9fcd	1.4fcd	1.1fcd	0.9fcd	0.8fcd	0.6fcd	0.5fcd	0.5fcd	0.4fcd	0.4fcd	0.3fcd	0.3fcd	0.3fcd	0.2fcd

The above information is for 3000K colour temperature, for specific module information please see LED spec located on our website

For information regarding other colour temperatures please use the following factors for lumen output and candelas:

2700K = 1