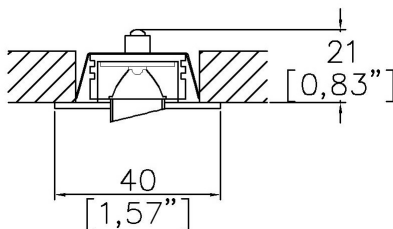


Micro40 Disc



Micro40 provides fully recessed downlight for interior installation. Micro40 products include round and square variants in 1.57" trim. Include adjustable and fixed in a flanged or trimless installation kit. Available in 3 color temperatures and various beam angles. TRIAC/Phase, 0-10V/1-10V, DMX and DALI/digital dimming.



AM40-MD
Cut out Ø27mm

LED Source	LED	LED
CCT	3000K	3000K
Drive Current	500mA	500mA
Power inc Driver	1.8W	1.8W
Beam Angle	25°	45°
Delivered Lumens	89	96
Delivered Intensisty cd	431	134
Efficacy lm/w	50	53
Forward Volt	3V	3V
CRI	≥90 CRI	≥90 CRI

Project Ref: _____

Location Ref: _____

Specify fixture part number (All boxes must be filled in to correctly order)

AM40-MD						
----------------	--	--	--	--	--	--

CCT	_____
27	2700K
30	3000K
Finish	_____
WH	White
BK	Black
Ceiling Thickness	_____
12	Standard Ceiling (1/2")
C	Custom
Beam Angles	_____
25	25
45	45
Supply Voltage	_____
120	120V
277	277V

- Dimming Protocol^** _____
- S** Non-Dimmable
 - P** TRIAC/Phase (120V ONLY) (25-10% Minimum Dimming)***
 - LP** Lutron Forward Phase 2-Wire (1% Dimming) (120V ONLY)
 - ESS** EcoSystem 5-Series (5% Dimming)
 - LHE** EcoSystem Hi-Lume Fade to Black (1% Dimming)
 - LAE** Lutron 3-Wire Hi-Lume (1% Dimming)
 - LHP** Lutron Hi-Lume Premier EcoSystem (0.1% Dimming)
 - A** 0-10V (15-5% Minimum Dimming)***
 - ESD** EldoLED Solo DALI2 (0.1% Dimming)
 - EED** EldoLED Eco DALI2 (1% Dimming)
 - ESA** EldoLED Solo 0-10V/1-10V (0.1% Dimming)
 - EEA** EldoLED Eco 0-10V/1-10V (1% Dimming)
 - B** Bluetooth**

*Refer to Technical Details for more information

^Not all power supplies are available for single connection, some require series connection with multiple fittings. Consult Lucent Lighting Inc for more information.

Technical Details

*Custom color requires a paint chip or RAL code and may increase price and lead-time

It is the responsibility of the specifier/integrator/installer to check and ensure compatibility of any control equipment used. Additional cabling may be required depending on the dimming protocol specified.

**Bluetooth (wireless) is a communication protocol. The exact dimming protocol must be confirmed to allow the selection of suitable drivers or Bluetooth devices.

***Non specific driver type, dimming performance depending on exact driver used. Contact Lucent Lighting for more information.

^ Depth indicated is the minimum recess depth for the luminaire with a remote mounted LED driver. Installing a driver through either the luminaire cut-out or installation kit may require additional recess depth, please refer to the relevant installation instructions prior to purchase.

First Fix Requirement. Luminaire comprised of fixture body with ceiling trim and installation kit, which is to be fitted into the ceiling once finished. Ensure correct alignment of the installation kit before final assembly (see luminaire installation instructions for details)

Location. Tested from underside of the ceiling.

Data correct at time of publishing. It is the policy of Lucent Lighting to continually review and improve its products and therefore reserve the right to change any details of product or withdraw specifications without prior notice.

This specification sheet supersedes all previous versions.

All intellectual property rights pertaining to the product described above and to this document are owned by or licensed to Lucent Lighting, Incorporated. Lucent Lighting reserves the right to take whatever action is necessary to protect its intellectual property, patents and trademarks

Please notify Lucent Lighting Inc. inaccuracies. E&OE



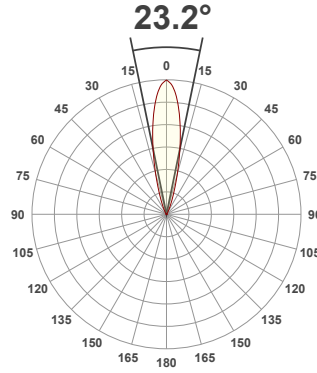
Light efficiency:



Light quality:



Color temperature:



Product name:

M40-MD-30-25-WH-500mA

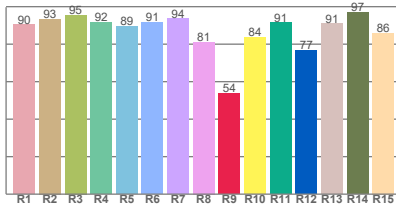
Item number:

Micro 40 Disc 3000K 25deg - 500mA

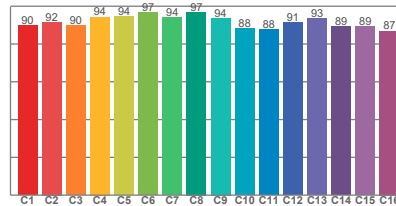
Delivered information for above fixture and LED combination.

Output: 89.4 Lumen Peak intensity: 431 cd Power consumption: 1.8

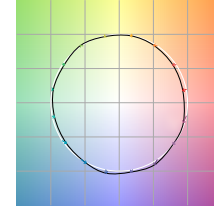
CRI R values



TM30 C Values

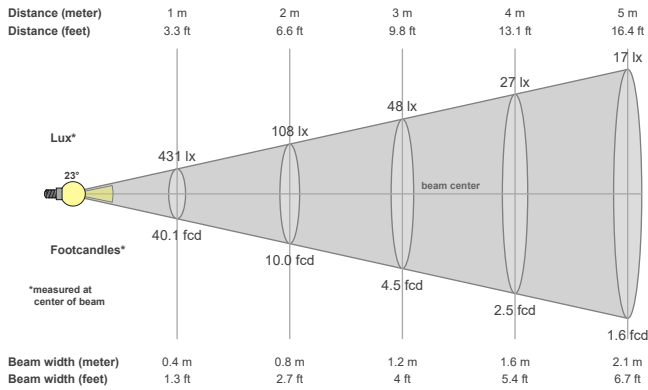


Color vector graphics



Color temperature	Color rendering index	Red component	Color fidelity	Color gamut	Color quality scale	Color coordinate cie 1931	Color coordinate cie 1931	Color coordinate	Color coordinate	Color deviation from black body
CCT	CRI	CRI R9	TM30 Rf	TM30 Rg	CQS	x	y	u	v	Δuv
3000 K	90.8	53.9	91.7	98.2	90.4	0.437	0.404	0.245	0.349	0.0031

Beam details



Beam angels

Beam angle 50%	Field angle 10%	Cutoff angle 2,5%
23.2°	43.5°	60.6°

Beam intensities

Peak intensity	Int. ratio in 120° cone	Int. ratio in 90° cone
431 cd	98.4%	96.8%

Beam intensities from 1-20m

1m	2m	3m	4m	5m	6m	7m	8m	9m	10m	11m	12m	13m	14m	15m	16m	17m	18m	19m	20m
3.3ft	6.6ft	9.8ft	13.1ft	16.4ft	19.7ft	23ft	26.2ft	29.5ft	32.8ft	36.1ft	39.4ft	42.7ft	45.9ft	49.2ft	52.5ft	55.8ft	59.1ft	62.3ft	65.6ft
431lx	108lx	48lx	27lx	17lx	12lx	9lx	7lx	5lx	4lx	4lx	3lx	3lx	2lx	2lx	2lx	1lx	1lx	1lx	1lx
40.1fcd	10fcd	4.5fcd	2.5fcd	1.6fcd	1.1fcd	0.8fcd	0.6fcd	0.5fcd	0.4fcd	0.3fcd	0.3fcd	0.2fcd	0.2fcd	0.2fcd	0.2fcd	0.1fcd	0.1fcd	0.1fcd	0.1fcd

The above information is for 3000K colour temperature, for specific module information please see LED spec located on our website

For information regarding other colour temperatures please use the following factors for lumen output and candelas:

2700K = 0.96

Light efficiency:

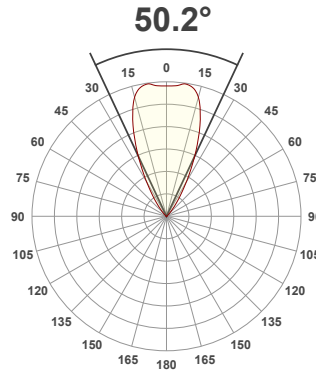
53 Lumen/Watt

Light quality:

CRI: 90.2

Color temperature:

3000 K



Product name:

M40-MD-30-45-WH-500mA

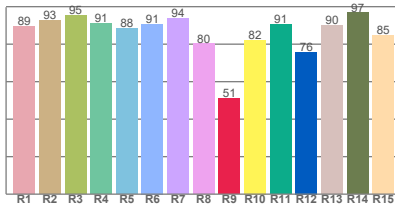
Item number:

Micro40 Disc 3000K 45deg - 500mA

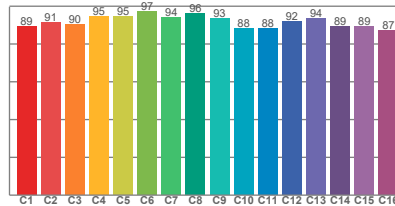
Delivered information for above fixture and LED combination.

Output: 96.4 Lumen Peak intensity: 134 cd Power consumption: 1.8

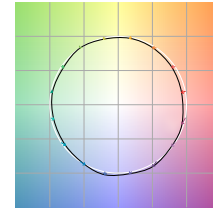
CRI R values



TM30 C Values

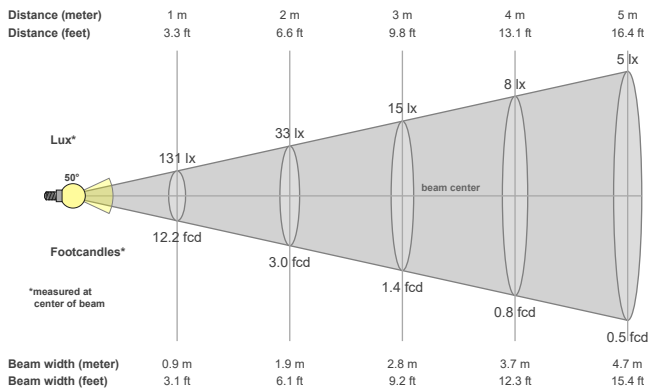


Color vector graphics



Color temperature	Color rendering index	Red component	Color fidelity	Color gamut	Color quality scale	Color coordinate cie 1931	Color coordinate cie 1931	Color coordinate	Color coordinate	Color deviation from black body
CCT	CRI	CRI R9	TM30 Rf	TM30 Rg	CQS	x	y	u	v	Δuv
3000 K	90.2	51.1	91.7	97.1	89.9	0.437	0.404	0.246	0.351	0.0047

Beam details



Beam angels

Beam angle 50%	Field angle 10%	Cutoff angle 2,5%
50.2°	76.5°	93.3°

Beam intensities

Peak intensity	Int. ratio in 120° cone	Int. ratio in 90° cone
134 cd	98.6%	96.3%

Beam intensities from 1-20m

1m	2m	3m	4m	5m	6m	7m	8m	9m	10m	11m	12m	13m	14m	15m	16m	17m	18m	19m	20m
3.3ft	6.6ft	9.8ft	13.1ft	16.4ft	19.7ft	23ft	26.2ft	29.5ft	32.8ft	36.1ft	39.4ft	42.7ft	45.9ft	49.2ft	52.5ft	55.8ft	59.1ft	62.3ft	65.6ft
131lx	33lx	15lx	8lx	5lx	4lx	3lx	2lx	2lx	1lx	1lx	1lx	1lx	1lx	1lx	1lx	0lx	0lx	0lx	0lx
12.2fcd	3fcd	1.4fcd	0.8fcd	0.5fcd	0.3fcd	0.2fcd	0.2fcd	0.2fcd	0.1fcd	0.1fcd	0.1fcd	0.1fcd	0.1fcd	0.1fcd	0fcd	0fcd	0fcd	0fcd	0fcd

The above information is for 3000K colour temperature, for specific module information please see LED spec located on our website

For information regarding other colour temperatures please use the following factors for lumen output and candelas:

2700K = 0.96