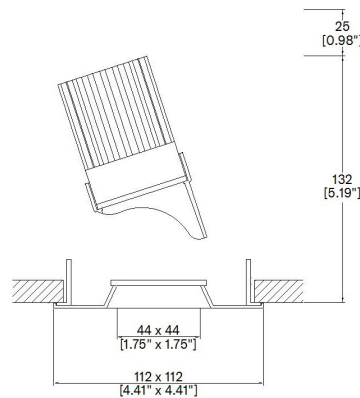


## ProSpex Plus Square Accent Trim



112 x 112mm (4.41" x 4.41") overall trim dimension. Gear driven tilt and adjustment. 360° rotation. Up to 45° tilt. Available with standard trim kit or plaster-in kit for flush appearance. Family of matching products also available. Required depth height + 25mm<sup>^</sup>



093+33-LED-TR-SQ  
Cut-out 102x102mm

LED Source	LED51/U	LED51/U	LED51/U
CCT	3000K	3000K	3000K
Drive Current	350mA	350mA	350mA
Power inc Driver	13.6W	13.6W	13.6W
Beam Angle	12°	24°	38°
Delivered Lumens	667	658	738
Delivered Intensisty cd	10031	3916	2170
Efficacy lm/w	49	48	54
Forward Volt	33V	33V	33V
CRI	≥98 CRI	≥98 CRI	≥98 CRI

Project Ref: \_\_\_\_\_

Location Ref: \_\_\_\_\_

Fixture Order Code:  -  -  -

Fixture  
093+33-LED-TR-SQ Plus Square Accent Trim with LED51

Finish  
WH White  
BK Black  
RAL Custom RAL Colour\*

IP Rating  
44 IP44

Emergency  
E Maintained 3hr Emergency  
ED Maintained 3hr DALI Self Test  
ES Maintained 3hr Self Test



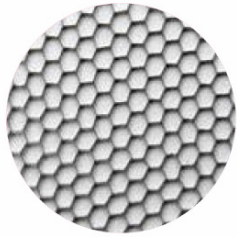
LED Order Code:  -  -  -

LED  
LED51/U LED50 ONE ULTRA

CCT  
27 2700K  
30 3000K

Beam  
12 12°  
24 24°  
38 38°

Protocol  
S Non-Dim  
A Analogue (0-10v)  
P Phase  
D DALI  
B Bluetooth\*\*



**Honeycomb Louvre**



**Diffusing Lens**



**Frosted Lens**



**Heavy Spread Lens**



**Linear Spread Lens**



**Warm Tone**

Accessories Order Code:

- |             |                    |
|-------------|--------------------|
| Louvre/Lens |                    |
| LL45        | Honeycomb Louvre   |
| LLCC        | Warm Tone Lens     |
| LLUV        | UV Lens            |
| LLDF        | Diffusing Lens     |
| LLFR        | Frosted Lens       |
| LLLS        | Linear Spread Lens |
| LLHS        | Heavy Spread Lens  |

**Technical Details**

\*Custom RAL code must be specified. Custom RAL colours can increase prices and lead times

Dimming. Whilst Lucent can offer the majority of its luminaires with various dimming options, it remains the responsibility of the specifier/installer to check and ensure compatibility of any control equipment used. Additional cabling may be required depending on the dimming protocol specified.

\*\*Bluetooth (wireless) is the communication method. The exact dimming protocol must be confirmed to allow the selection of suitable drivers or bluetooth devices.

^ Depth indicated is the minimum recess depth for the luminaire with a remote mounted LED driver. Installing a driver through either the luminaire cut-out or installation kit may require additional recess depth, please refer to the relevant luminaire installation instructions for further details. Data correct at time of publishing

First Fix Requirement. Luminaire comprised of fixture body with ceiling trim and installation kit, which is to be fitted into the ceiling once finished. Ensure correct alignment of the installation kit before final assembly (see luminaire installation instructions for details)

IP Rating. Tested from underside of the ceiling

It is the policy of Lucent Lighting to continually review and improve its products and therefore reserve the right to change any details of product or withdraw specifications without prior notice.

Luminaires designed to comply with EN60598 and all other standards.

This specification sheet superseded all previous versions.

All intellectual property rights pertaining to the product described above and to this document are owned by or licensed to Lucent Lighting Ltd.

We reserve the right to take whatever action is necessary to protect those intellectual property rights.

Please notify Lucent Lighting Ltd of any inaccuracies immediately. E&OE

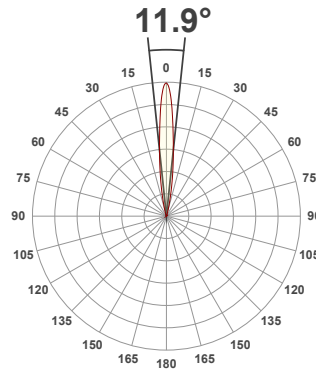
**Light efficiency:**



**Light quality:**



**Color temperature:**



**Product name:**

**093+33-LED-SQ - LED51\_U-30-12-350mA**

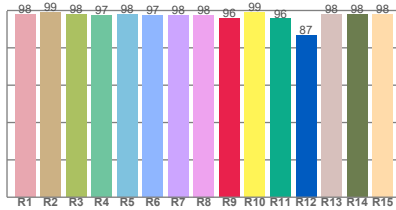
**Item number:**

**Plus Square Bevel Locking Accent - LED51\_U-30-12-350mA**

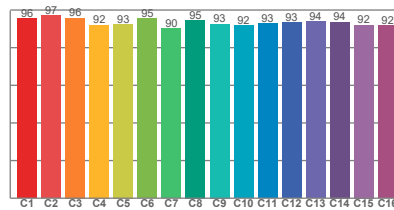
**Delivered information for above fixture and LED combination.**

**Output: 667 Lumen    Peak intensity: 10031 cd    Power consumption: 13.6**

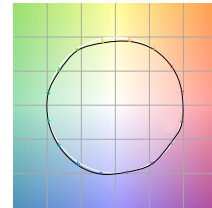
**CRI R values**



**TM30 C Values**

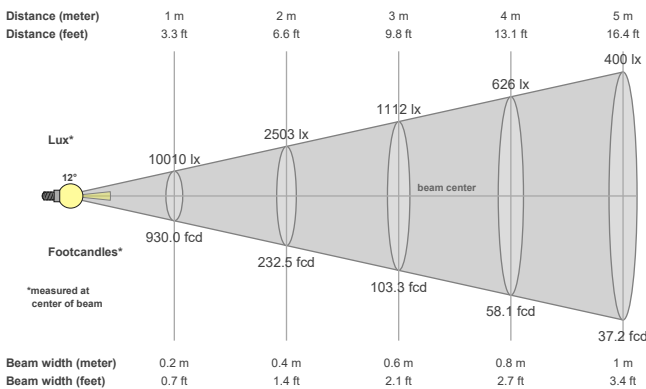


**Color vector graphics**



Color temperature	Color rendering index	Red component	Color fidelity	Color gamut	Color quality scale	Color coordinate cie 1931	Color coordinate cie 1931	Color coordinate	Color coordinate	Color deviation from black body
CCT	CRI	CRI R9	TM30 Rf	TM30 Rg	CQS	x	y	u	v	Δuv
3000 K	97.8	95.8	93.6	98.8	94.8	0.437	0.404	0.250	0.349	0.0015

**Beam details**



**Beam angles**

Beam angle 50%	Field angle 10%	Cutoff angle 2,5%
11.9°	25.7°	34.6°

**Beam intensities**

Peak intensity	Int. ratio in 120° cone	Int. ratio in 90° cone
10031 cd	99.2%	98.3%

**Beam intensities from 1-20m**

1m	2m	3m	4m	5m	6m	7m	8m	9m	10m	11m	12m	13m	14m	15m	16m	17m	18m	19m	20m
3.3ft	6.6ft	9.8ft	13.1ft	16.4ft	19.7ft	23ft	26.2ft	29.5ft	32.8ft	36.1ft	39.4ft	42.7ft	45.9ft	49.2ft	52.5ft	55.8ft	59.1ft	62.3ft	65.6ft
10010lx	2503lx	1112lx	626lx	400lx	278lx	204lx	156lx	124lx	100lx	83lx	70lx	59lx	51lx	44lx	39lx	35lx	31lx	28lx	25lx
930fcd	232.5fcd	103.3fcd	58.1fcd	37.2fcd	25.8fcd	19fcd	14.5fcd	11.5fcd	9.3fcd	7.7fcd	6.5fcd	5.5fcd	4.7fcd	4.1fcd	3.6fcd	3.2fcd	2.9fcd	2.6fcd	2.3fcd

The above information is for 3000K colour temperature, for specific module information please see LED spec located on our website

For information regarding other colour temperatures please use the following factors for lumen output and candelas:

2700K = 1

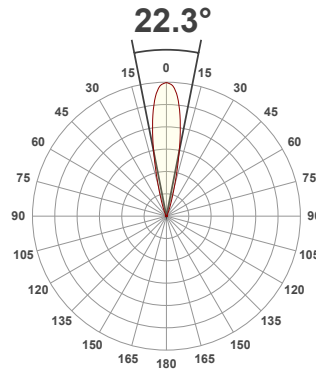
**Light efficiency:**



**Light quality:**



**Color temperature:**



**Product name:**

**093+33-LED-SQ - LED51\_U-30-24-350mA**

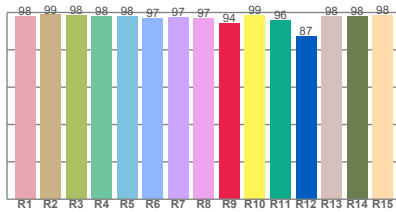
**Item number:**

**Plus Square Bevel Locking Accent - LED51\_U-30-24-350mA**

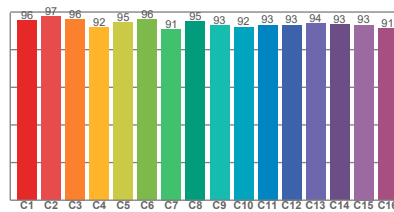
**Delivered information for above fixture and LED combination.**

**Output: 658 Lumen    Peak intensity: 3916 cd    Power consumption: 13.6**

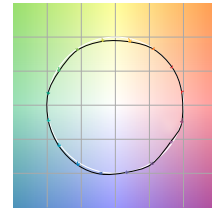
**CRI R values**



**TM30 C Values**

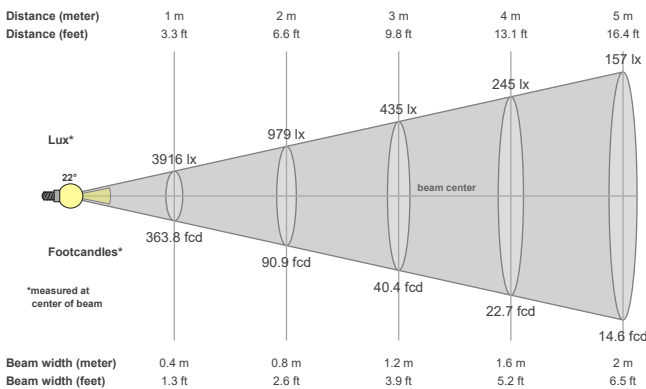


**Color vector graphics**



Color temperature	Color rendering index	Red component	Color fidelity	Color gamut	Color quality scale	Color coordinate cie 1931	Color coordinate cie 1931	Color coordinate	Color coordinate	Color deviation from black body
CCT	CRI	CRI R9	TM30 Rf	TM30 Rg	CQS	x	y	u	v	Δuv
3000 K	97.7	94.3	93.9	98.9	95.3	0.437	0.404	0.251	0.349	0.0008

**Beam details**



**Beam angles**

Beam angle 50%	Field angle 10%	Cutoff angle 2,5%
22.3°	38.3°	51.8°

**Beam intensities**

Peak intensity	Int. ratio in 120° cone	Int. ratio in 90° cone
3916 cd	98.7%	97.8%

**Beam intensities from 1-20m**

1m	2m	3m	4m	5m	6m	7m	8m	9m	10m	11m	12m	13m	14m	15m	16m	17m	18m	19m	20m
3.3ft	6.6ft	9.8ft	13.1ft	16.4ft	19.7ft	23ft	26.2ft	29.5ft	32.8ft	36.1ft	39.4ft	42.7ft	45.9ft	49.2ft	52.5ft	55.8ft	59.1ft	62.3ft	65.6ft
3916lx	979lx	435lx	245lx	157lx	109lx	80lx	61lx	48lx	39lx	32lx	27lx	23lx	20lx	17lx	15lx	14lx	12lx	11lx	10lx
363.8fcd	90.9fcd	40.4fcd	22.7fcd	14.6fcd	10.1fcd	7.4fcd	5.7fcd	4.5fcd	3.6fcd	3fcd	2.5fcd	2.2fcd	1.9fcd	1.6fcd	1.4fcd	1.3fcd	1.1fcd	1fcd	0.9fcd

The above information is for 3000K colour temperature, for specific module information please see LED spec located on our website

For information regarding other colour temperatures please use the following factors for lumen output and candelas:

2700K = 1

**Light efficiency:**

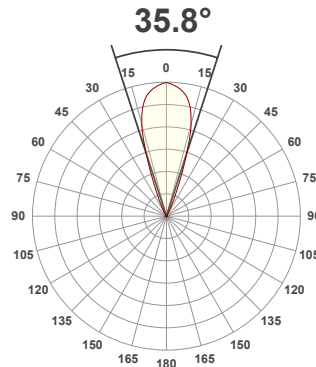
**54 Lumen/Watt**

**Light quality:**

**CRI: 97.9**

**Color temperature:**

**3000 K**



**Product name:**

**093+33-LED-SQ - LED51\_U-30-38-350mA**

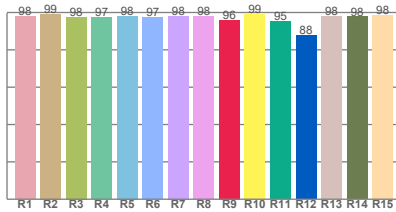
**Item number:**

**Plus Square Bevel Locking Accent - LED51\_U-30-38-350mA**

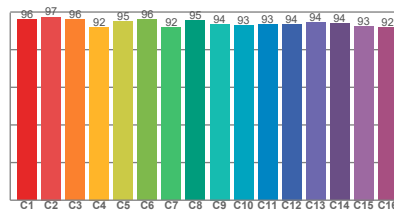
**Delivered information for above fixture and LED combination.**

**Output: 738 Lumen    Peak intensity: 2170 cd    Power consumption: 13.6**

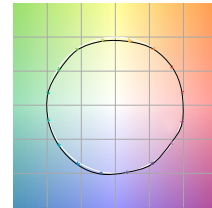
**CRI R values**



**TM30 C Values**

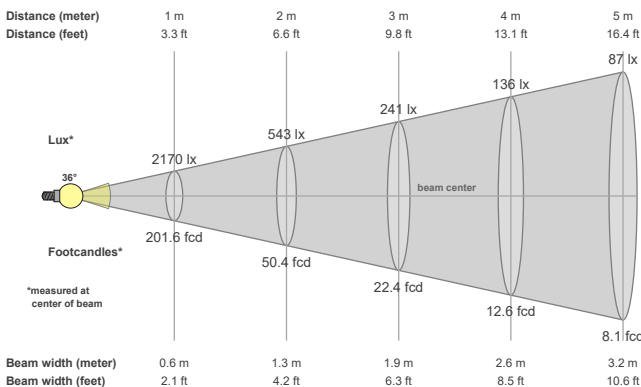


**Color vector graphics**



Color temperature	Color rendering index	Red component	Color fidelity	Color gamut	Color quality scale	Color coordinate cie 1931	Color coordinate cie 1931	Color coordinate	Color coordinate	Color deviation from black body
CCT	CRI	CRI R9	TM30 Rf	TM30 Rg	CQS	x	y	u	v	Δuv
3000 K	97.9	96.0	94.2	99.4	95.3	0.437	0.404	0.250	0.349	0.0012

**Beam details**



**Beam angles**

Beam angle 50%	Field angle 10%	Cutoff angle 2,5%
35.8°	50.1°	60.8°

**Beam intensities**

Peak intensity	Int. ratio in 120° cone	Int. ratio in 90° cone
2170 cd	98.9%	98.1%

**Beam intensities from 1-20m**

1m	2m	3m	4m	5m	6m	7m	8m	9m	10m	11m	12m	13m	14m	15m	16m	17m	18m	19m	20m
3.3ft	6.6ft	9.8ft	13.1ft	16.4ft	19.7ft	23ft	26.2ft	29.5ft	32.8ft	36.1ft	39.4ft	42.7ft	45.9ft	49.2ft	52.5ft	55.8ft	59.1ft	62.3ft	65.6ft
2170lx	543lx	241lx	136lx	87lx	60lx	44lx	34lx	27lx	22lx	18lx	15lx	13lx	11lx	10lx	8lx	8lx	7lx	6lx	5lx
201.6fcd	50.4fcd	22.4fcd	12.6fcd	8.1fcd	5.6fcd	4.1fcd	3.2fcd	2.5fcd	2fcd	1.7fcd	1.4fcd	1.2fcd	1fcd	0.9fcd	0.8fcd	0.7fcd	0.6fcd	0.6fcd	0.5fcd

The above information is for 3000K colour temperature, for specific module information please see LED spec located on our website

For information regarding other colour temperatures please use the following factors for lumen output and candelas:

2700K = 1