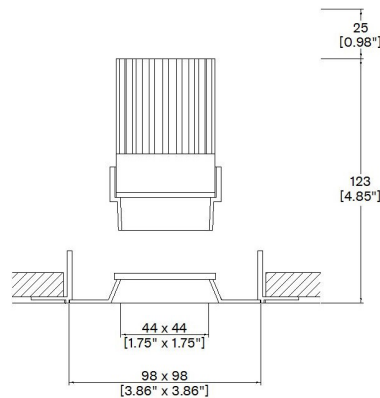


## ProSpex Plus Square Fixed Trimless



98 x 98mm (3.86" x 3.86") overall trimless dimension. Available with standard trim kit or plaster-in kit for flush appearance. Family of matching products also available. Required depth height + 25mm<sup>^</sup>



090+33-LED-TL-SQ  
Cut-out 102x102mm

LED Source	LED51SS
CCT	3000K
Drive Current	500mA
Power inc Driver	6.75W
Beam Angle	7°
Delivered Lumens	390
Delivered Intensity cd	15594
Efficacy lm/w	58
Forward Volt	11.5V
CRI	≥90 CRI

Project Ref: \_\_\_\_\_

Location Ref: \_\_\_\_\_

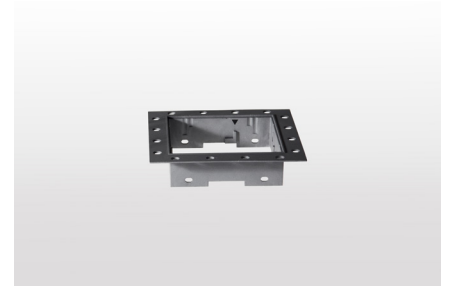
Fixture Order Code:  -  -  -

Fixture  
090+33-LED-TL-SQ Plus Square Fixed Trimless with LED51

Finish  
WH White  
BK Black  
RAL Custom RAL Colour\*

IP Rating  
44 IP44

Emergency  
E Maintained 3hr Emergency  
ED Maintained 3hr DALI Self Test  
ES Maintained 3hr Self Test



LED Order Code:  -  -  -

LED  
LED51SS LED51 SuperSpot

CCT  
927 90 CRI 2700K  
930 90 CRI 3000K  
940 90 CRI 4000K

Beam  
7 7°

Protocol  
S Non-Dim  
A Analogue (0-10v)  
P Phase  
D DALI  
B Bluetooth\*\*



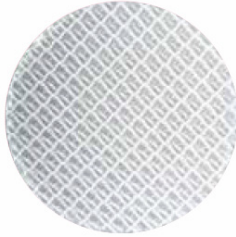
Honeycomb Louvre



Diffusing Lens



Frosted Lens



Heavy Spread Lens



Linear Spread Lens



Warm Tone

Accessories Order Code:

Louvre/Lens

- LL45 Honeycomb Louvre
- LLCC Warm Tone Lens
- LLUV UV Lens
- LLDF Diffusing Lens
- LLFR Frosted Lens
- LLLS Linear Spread Lens
- LLHS Heavy Spread Lens

Technical Details

\*Custom RAL code must be specified. Custom RAL colours can increase prices and lead times

Dimming. Whilst Lucent can offer the majority of its luminaires with various dimming options, it remains the responsibility of the specifier/installer to check and ensure compatibility of any control equipment used. Additional cabling may be required depending on the dimming protocol specified.

\*\*Bluetooth (wireless) is the communication method. The exact dimming protocol must be confirmed to allow the selection of suitable drivers or bluetooth devices.

^ Depth indicated is the minimum recess depth for the luminaire with a remote mounted LED driver. Installing a driver through either the luminaire cut-out or installation kit may require additional recess depth, please refer to the relevant luminaire installation instructions for further details. Data correct at time of publishing

First Fix Requirement. Luminaire comprised of fixture body with ceiling trim and installation kit, which is to be fitted into the ceiling once finished. Ensure correct alignment of the installation kit before final assembly (see luminaire installation instructions for details)

IP Rating. Tested from underside of the ceiling

It is the policy of Lucent Lighting to continually review and improve its products and therefore reserve the right to change any details of product or withdraw specifications without prior notice.

Luminaires designed to comply with EN60598 and all other standards.

This specification sheet superseded all previous versions.

All intellectual property rights pertaining to the product described above and to this document are owned by or licensed to Lucent Lighting Ltd.

We reserve the right to take whatever action is necessary to protect those intellectual property rights.

Please notify Lucent Lighting Ltd of any inaccuracies immediately. E&OE

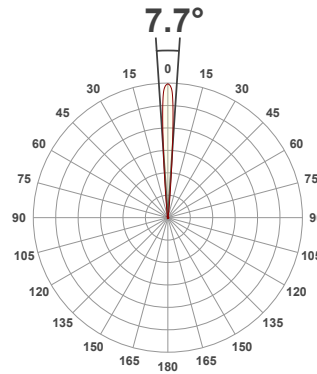
**Light efficiency:**



**Light quality:**



**Color temperature:**



**Product name:**

**Plus Square Fixed - LED51 Super Spot, 3000K, 7°, 500mA**

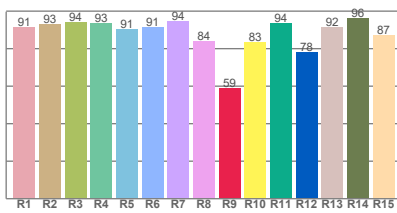
**Item number:**

**090+33-SQ-LED51SS-30-7-500mA**

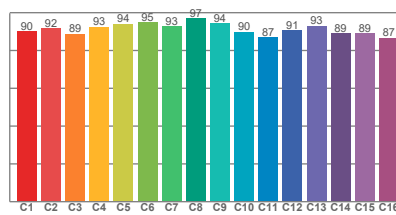
**Delivered information for above fixture and LED combination.**

**Output: 390 Lumen    Peak intensity: 15594 cd    Power consumption: 6.8**

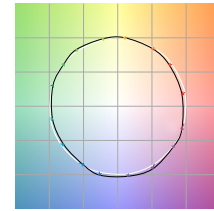
**CRI R values**



**TM30 C Values**

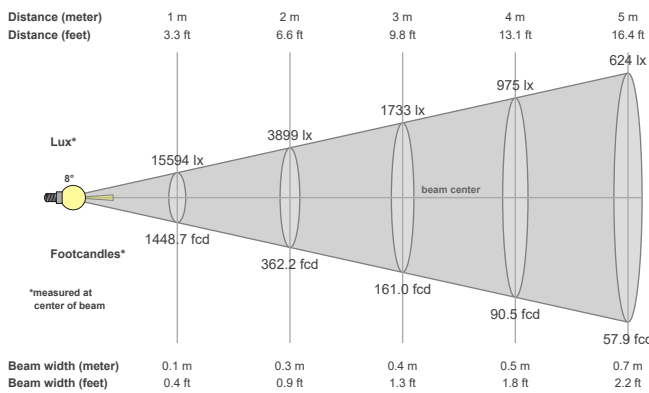


**Color vector graphics**



Color temperature	Color rendering index	Red component	Color fidelity	Color gamut	Color quality scale	Color coordinate cie 1931	Color coordinate cie 1931	Color coordinate	Color coordinate	Color deviation from black body
CCT	CRI	CRI R9	TM30 Rf	TM30 Rg	CQS	x	y	u	v	Δuv
3000 K	91.5	59.1	91.3	99.6	91.0	0.437	0.404	0.246	0.349	0.0031

**Beam details**



**Beam angels**

Beam angle 50%	Field angle 10%	Cutoff angle 2,5%
7.7°	12.9°	20.8°

**Beam intensities**

Peak intensity	Int. ratio in 120° cone	Int. ratio in 90° cone
15594 cd	98.7%	98.4%

**Beam intensities from 1-20m**

1m	2m	3m	4m	5m	6m	7m	8m	9m	10m	11m	12m	13m	14m	15m	16m	17m	18m	19m	20m
3.3ft	6.6ft	9.8ft	13.1ft	16.4ft	19.7ft	23ft	26.2ft	29.5ft	32.8ft	36.1ft	39.4ft	42.7ft	45.9ft	49.2ft	52.5ft	55.8ft	59.1ft	62.3ft	65.6ft
15594lx	3899lx	1733lx	975lx	624lx	433lx	318lx	244lx	193lx	156lx	129lx	108lx	92lx	80lx	69lx	61lx	54lx	48lx	43lx	39lx
1448.7fcd	362.2fcd	161fcd	90.5fcd	57.9fcd	40.2fcd	29.6fcd	22.6fcd	17.9fcd	14.5fcd	12fcd	10.1fcd	8.6fcd	7.4fcd	6.4fcd	5.7fcd	5fcd	4.5fcd	4fcd	3.6fcd

The above information is for 3000K colour temperature, for specific module information please see LED spec located on our website

For information regarding other colour temperatures please use the following factors for lumen output and candelas:

2700K = 0.9  
4000K = 1.08