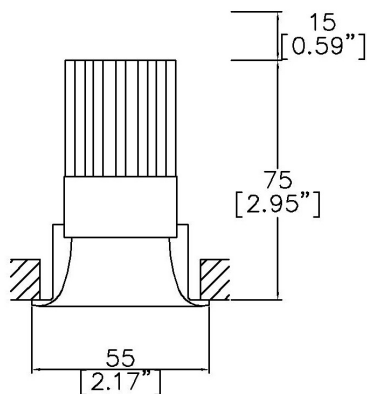


ProSpex Flare55 Fixed

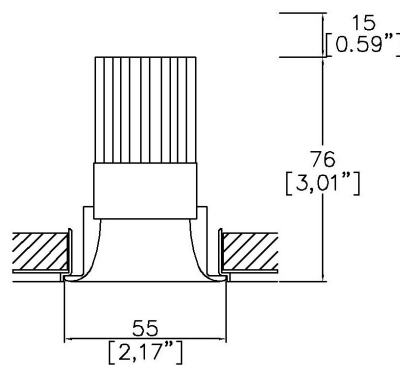
TM65.2	4kgCO2e
TM66	2.4CEAM



55mm (2.17") overall diameter. Available with standard trim kit and plaster in kit for seamless appearance. Family of matching products also available. Required depth height + 15mm[^]



550-LED-TR
Cut-out 48mm Ø
Trim kit



550-LED-TL
Cut-out 53mm Ø
Seamless flush appearance

LED Source	LED35/2	LED35/2	LED35/2
CCT	3000K	3000K	3000K
Drive Current	350mA	350mA	350mA
Power inc Driver	7.4W	7.4W	7.4W
Beam Angle	15°	24°	36°
Delivered Lumens	547	548	541
Delivered Intensisty cd	3201	2304	1391
Efficacy lm/w	74	74	73
Forward Volt	18V	18V	18V
CRI	≥90 CRI	≥90 CRI	≥90 CRI

Apply these factors to 3000K for lumen output of other CCTs: 2200K x 0.65 / 2400K x 0.69 / 2700K x 0.941 / 4000K x 1.065.

Project Ref: _____

Location Ref: _____

Fixture Order Code: - - -

Fixture	_____	
550-LED	Flare55 Fixed with LED35 GEN2	
Installation	_____	
TR	Trim	
TL	Trimless	
Finish	_____	
WH	White RAL 9010	
BK	Black RAL 9005	
RAL*	Custom RAL Colour*	
ABR1	Antique Brass	
ABZ1	Antique Bronze	
PCH1	Polished Chrome	
PNK1	Polished Nickel	
PBR1	Polished Brass	
IP Rating	_____	
44	IP44	

LED Order Code: - -

LED	_____	
LED35/2	LED35 GEN2	
CCT	_____	
22***	90 CRI 2200K***	
24***	90 CRI 2400K***	
27	90 CRI 2700K	
30	90 CRI 3000K	
40***	90 CRI 4000K***	
Beam	_____	
15	15°	
24	24°	
36	36°	

***contact Lucent for availability

Driver Options:

Protocol	_____	
S	Non-Dim	
A	Analogue (0-10v)	
P	Phase	
D	DALI	
B	Bluetooth**	

Emergency Options:

Emergency	_____	
E	Maintained 3hr Emergency	
ED	Maintained 3hr DALI Self Test	
ES	Maintained 3hr Self Test	

Finish selection



Antique Brass



Antique Bronze



Polished Brass

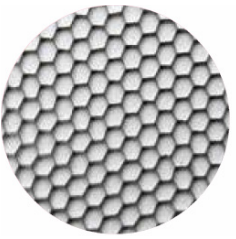


Polished Nickel



Polished Chrome

Accessories



Honeycomb Louvre



Diffusing Lens



Frosted Lens



Heavy Spread Lens



Linear Spread Lens

Accessories Order Code:

Louvre/Lens

- LS45 Honeycomb Louvre
- LSCC Warm Tone Lens
- LSUV UV Lens
- LSDF Diffusing Lens
- LSFR Frosted Lens
- LSLS Linear Spread Lens
- LSHS Heavy Spread Lens

Technical Details

*Custom RAL code must be specified. Custom RAL colours can increase prices and lead times

Dimming. Whilst Lucent can offer the majority of its luminaires with various dimming options, it remains the responsibility of the specifier/installer to check and ensure compatibility of any control equipment used. Additional cabling may be required depending on the dimming protocol specified.

**Bluetooth (wireless) is the communication method. The exact dimming protocol must be confirmed to allow the selection of suitable drivers or bluetooth devices.

^ Depth indicated is the minimum recess depth for the luminaire with a remote mounted LED driver. Installing a driver through either the luminaire cut-out or installation kit may require additional recess depth, please refer to the relevant luminaire installation instructions for further details. Data correct at time of publishing

First Fix Requirement. Luminaire comprised of fixture body with ceiling trim and installation kit, which is to be fitted into the ceiling once finished. Ensure correct alignment of the installation kit before final assembly (see luminaire installation instructions for details)

IP Rating. Tested from underside of the ceiling

Note that the picture of the finishes provided is for illustrative purposes only. The finishes may vary in colour, texture and appearance. Contact Lucent lighting Ltd for more information.

It is the policy of Lucent Lighting to continually review and improve its products and therefore reserve the right to change any details of product or withdraw specifications without prior notice.

Luminaires designed to comply with EN60598 and all other standards.

This specification sheet supersedes all previous versions.

All intellectual property rights pertaining to the product described above and to this document are owned by or licensed to Lucent Lighting Ltd.

We reserve the right to take whatever action is necessary to protect those intellectual property rights.

Please notify Lucent Lighting Ltd of any inaccuracies immediately. E&OE