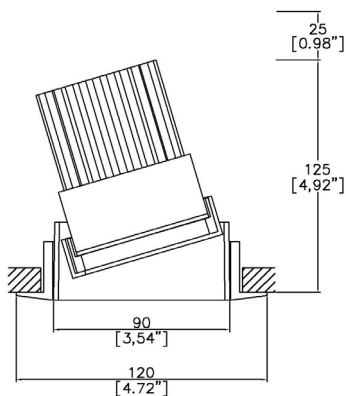


# Soft3.5 Accent



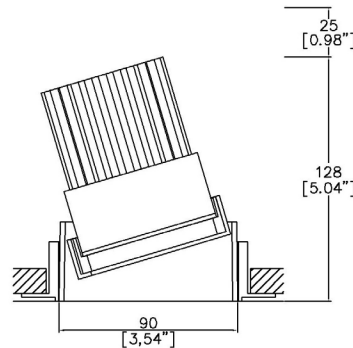
Soft provides high performance electronics and architectural aesthetics in 3.5" trim. Soft products include adjustable and fixed in a flanged or trimless installation kit. Also available with various color finishes. Tray, retrofit and housing installation methods (NIC, IC, AT, T24 and CCEA) Multiple configurations for equal spacing also available. Lucent modules available in a wide range of color temperatures, beam angles, intensities, and effects (Ambiance WarmDim and Dynamic Tuneable White). MR16 and GU10 LED lamp options available. TRIAC/Phase, 0-10v/1-10v, DMX and DALI/ Digital dimming.



**A093-LED-TR**  
359° rotation. Up to 30° tilt  
Cut-out 109mm (4.29") Ø



**Installation kit for overlap flange**



**A093-LED-TL**  
359° rotation. Up to 30° tilt  
Cut-out 105mm (4.13") Ø



**Mud-in kit for seamless/trimless**

LED Source	LED71	LED71	LED71	LED71/U	LED71/U	LED71/U
CCT	3000K	3000K	3000K	3000K	3000K	3000K
Drive Current	700mA	700mA	700mA	700mA	700mA	700mA
Power inc Driver	27W	27W	27W	27W	27W	27W
Beam Angle	12°	19°	34°	12°	19°	34°
Delivered Lumens	1891	1628	1656	1536	1353	1398
Delivered Intensisty cd	25621	11446	4592	19727	9792	3433
Efficacy lm/w	70	60	61	57	50	52
Forward Volt	33V	33V	33V	33V	33V	33V
CRI	≥90 CRI	≥90 CRI	≥90 CRI	≥98 CRI	≥98 CRI	≥98 CRI

Project Ref: \_\_\_\_\_

Location Ref: \_\_\_\_\_

Specify fixture part number (All boxes must be filled in to correctly order)

<b>A093-LED</b>														
-----------------	--	--	--	--	--	--	--	--	--	--	--	--	--	--

**Installation**  
**TR** Flange kit  
**TL** Mud-in kit

**Body Finish**  
**WH** White  
**BK** Black  
**RAL** Custom\*

**Trim Finish (Leave blank if trimless)**  
**WH** White  
**BK** Black  
**RAL** Custom\*

**Ceiling Thickness**  
**SC** Standard Ceiling (1/2"-5/8"-3/4")  
**C** Custom

**LED Type**  
**LED71** LED71 (90CRI)  
**LED71/U** LED71/U (98CRI)

**CCT**  
**27** 2700K  
**30** 3000K  
**35** 3500K  
**40** 4000K (90 CRI ONLY)

**Beam Angles**  
**12** 12  
**19** 19  
**34** 34

**Housing/Tray**  
**LMT-13-NIC** Mounting Tray Non-Insulated ceilings  
**LH-8.50-NIC** Housing 8.50" Non-Insulated ceilings  
**LH-11.25-AT/IC** Housing 11.25" Insulated/Air-tight ceilings and Chicago Plenum

**Mounting Hardware**  
**09** 9" to 15.25" - Adjustable Bar Hanger Lengths  
**14** 14" to 24" - Adjustable Bar Hanger Lengths  
**36** 28" to 36" - Adjustable Bar Hanger Lengths  
**BB** Butterfly Bracket  
**CB** Caterpillar Bracket

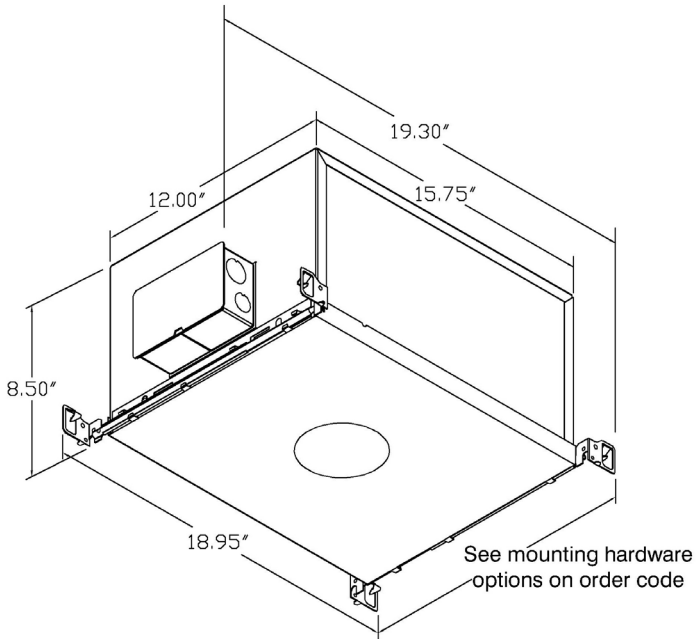
**Supply Voltage**  
**120** 120V  
**277** 277V

**Dimming Protocol**  
**S** Non-Dimmable  
**P** TRIAC/Phase (120V ONLY) (25-10% Minimum Dimming)\*\*\*  
**LP** Lutron Forward Phase 2-Wire (1% Dimming) (120V ONLY)  
**ESS** EcoSystem 5-Series (5% Dimming)  
**LHE** EcoSystem Hi-Lume Fade to Black (1% Dimming)  
**LAE** Lutron 3-Wire Hi-Lume (1% Dimming)  
**LHP** Lutron Hi-Lume Premier EcoSystem (0.1% Dimming)  
**A** 0-10V (15-5% Minimum Dimming)\*\*\*  
**ESD** EldoLED Solo DALI2 (0.1% Dimming)  
**EED** EldoLED Eco DALI2 (1% Dimming)  
**ESA** EldoLED Solo 0-10V/1-10V (0.1% Dimming)  
**EEA** EldoLED Eco 0-10V/1-10V (1% Dimming)  
**B** Bluetooth\*\*

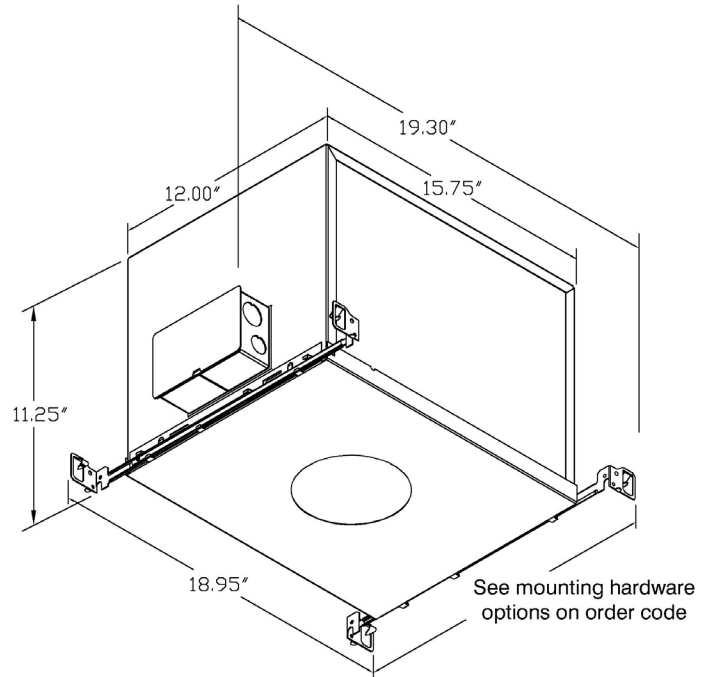
<b>Emergency</b> <b>E</b> 1.5h Emergency <b>ES</b> 1.5h Self test	<b>Louvre/Lens</b> <b>XX</b> Not required <b>MD45</b> Honeycomb <b>MDCC</b> Warm Tone <b>MDUV</b> UV <b>MDDF</b> Solite/Diffusing <b>MDFR</b> Frosted Lens <b>MDLS</b> Linear Spread <b>MDHS</b> Heavy Spread
---	---

\*Refer to Technical Details for more information

Housing dimensions

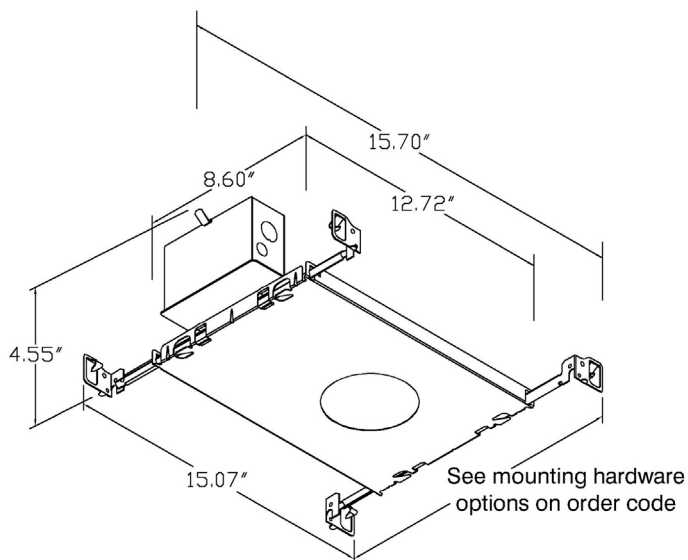


LH-8.50  
Non-insulated ceiling



LH-11.25  
Insulated/air-tight ceilings and  
Chicago Plenum

Tray dimensions



LMT-13  
Non-insulated ceilings



**Honeycomb Louvre (MD45)**



**Solite/Diffusing Lens (MDDF)**



**Frosted Lens (MDFR)**



**Heavy Spread Lens (MDHS)**



**Linear Spread Lens (MDLS)**



**Warm Tone (MDCC)**

.....

## Technical Details

\*Custom color requires a paint chip or RAL code and may increase price and lead-time

It is the responsibility of the specifier/integrator/installer to check and ensure compatibility of any control equipment used. Additional cabling may be required depending on the dimming protocol specified.

\*\*DALI Type 6 requires two DALI addresses, one for CCT control the other for intensity control. DALI Type 8 is a single DALI Type 8 address for CCT and intensity control. Please check which control system is being used before specifying.

^ Depth indicated is the minimum recess depth for the luminaire with a remote mounted LED driver. Installing a driver through either the luminaire cut-out or installation kit may require additional recess depth, please refer to the relevant installation instructions prior to purchase.

First Fix Requirement. Luminaire comprised of fixture body with ceiling trim and installation kit, which is to be fitted into the ceiling once finished. Ensure correct alignment of the installation kit before final assembly (see luminaire installation instructions for details)

Location. Tested from underside of the ceiling.

Data correct at time of publishing. It is the policy of Lucent Lighting to continually review and improve its products and therefore reserve the right to change any details of product or withdraw specifications without prior notice.

This specification sheet supersedes all previous versions.

All intellectual property rights pertaining to the product described above and to this document are owned by or licensed to Lucent Lighting, Incorporated. Lucent Lighting reserves the right to take whatever action is necessary to protect its intellectual property, patents and trademarks

Please notify Lucent Lighting Inc. inaccuracies. E&OE

.....



**Light efficiency:**

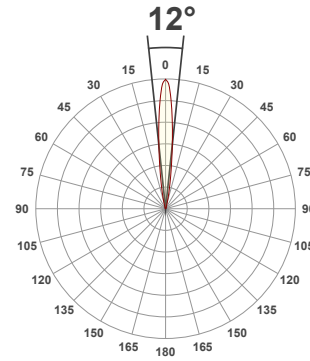
**70 Lumen/Watt**

**Light quality:**

**CRI: 90.0**

**Color temperature:**

**3000 K**

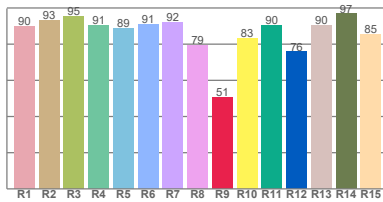


**Product name:**  
**093-LED - LED71-30-12-700mA**  
**Item number:**  
**Soft90 Accent - LED71-30-12-700mA**

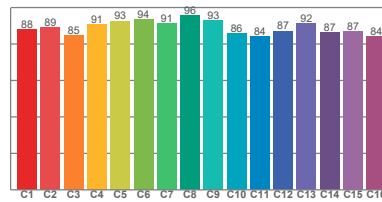
**Delivered information for above fixture and LED combination.**

**Output: 1891 Lumen    Peak intensity: 25621 cd    Power consumption: 27.0**

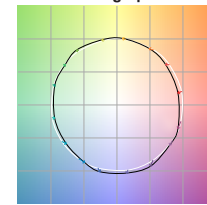
**CRI R values**



**TM30 C Values**

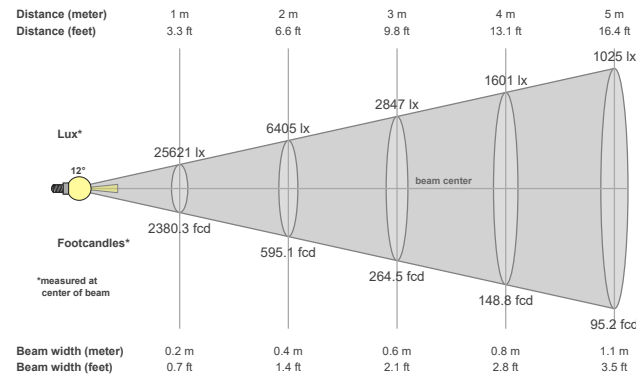


**Color vector graphics**



Color temperature	Color rendering index	Red component	Color fidelity	Color gamut	Color quality scale	Color coordinate cie 1931	Color coordinate cie 1931	Color coordinate	Color coordinate	Color deviation from black body
CCT	CRI	CRI R9	TM30 Rf	TM30 Rg	CQS	x	y	u	v	Δuv
3000 K	90.0	50.8	89.1	99.4	88.8	0.437	0.404	0.249	0.348	0.0009

**Beam details**



**Beam angles**

Beam angle 50%	Field angle 10%	Cutoff angle 2,5%
12°	24.8°	36.6°

**Beam intensities**

Peak intensity	Int. ratio in 120° cone	Int. ratio in 90° cone
25621 cd	98.9%	96.4%

**Beam intensities from 1-20m**

1m	2m	3m	4m	5m	6m	7m	8m	9m	10m	11m	12m	13m	14m	15m	16m	17m	18m	19m	20m
3.3ft	6.6ft	9.8ft	13.1ft	16.4ft	19.7ft	23ft	26.2ft	29.5ft	32.8ft	36.1ft	39.4ft	42.7ft	45.9ft	49.2ft	52.5ft	55.8ft	59.1ft	62.3ft	65.6ft
25621lx	6405lx	2847lx	1601lx	1025lx	712lx	523lx	400lx	316lx	256lx	212lx	178lx	152lx	131lx	114lx	100lx	89lx	79lx	71lx	64lx
2380.3fcd	595.1fcd	264.5fcd	148.8fcd	95.2fcd	66.1fcd	48.6fcd	37.2fcd	29.4fcd	23.8fcd	19.7fcd	16.5fcd	14.1fcd	12.1fcd	10.6fcd	9.3fcd	8.2fcd	7.3fcd	6.6fcd	6fcd

The above information is for 3000K colour temperature, for specific module information please see LED spec located on our website

For information regarding other colour temperatures please use the following factors for lumen output and candelas:

2700K = 1  
 4000K = 1.084

Light efficiency:

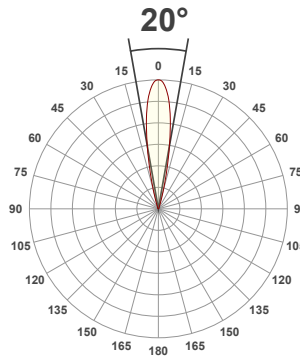
**60 Lumen/Watt**

Light quality:

**CRI: 90.3**

Color temperature:

**3000 K**



Product name:

**093-LED - LED71-30-19-700mA**

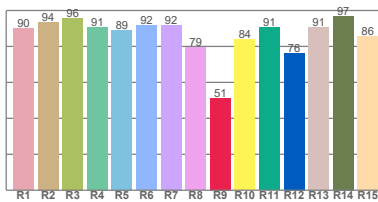
Item number:

**Soft90 Accent -  
LED71-30-19-700mA**

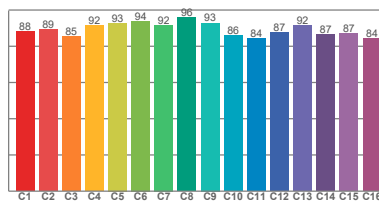
**Delivered information for above  
fixture and LED combination.**

**Output: 1628 Lumen Peak intensity: 11446 cd Power consumption: 27.0**

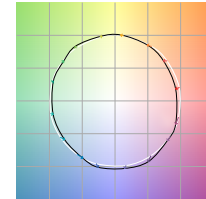
CRI R values



TM30 C Values

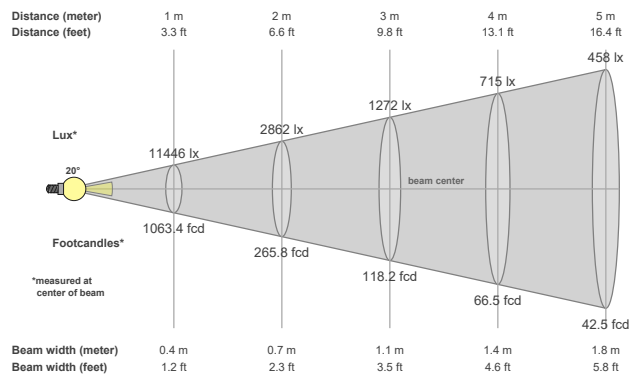


Color vector graphics



Color temperature	Color rendering index	Red component	Color fidelity	Color gamut	Color quality scale	Color coordinate cie 1931	Color coordinate cie 1931	Color coordinate	Color coordinate	Color deviation from black body
CCT	CRI	CRI R9	TM30 Rf	TM30 Rg	CQS	x	y	u	v	Δuv
3000 K	90.3	51.2	89.3	99.2	89.0	0.437	0.404	0.249	0.348	0.0008

## Beam details



## Beam angles

Beam angle 50%	Field angle 10%	Cutoff angle 2,5%
20°	33°	45°

## Beam intensities

Peak intensity	Int. ratio in 120° cone	Int. ratio in 90° cone
11446 cd	98.4%	96.0%

## Beam intensities from 1-20m

1m	2m	3m	4m	5m	6m	7m	8m	9m	10m	11m	12m	13m	14m	15m	16m	17m	18m	19m	20m
3.3ft	6.6ft	9.8ft	13.1ft	16.4ft	19.7ft	23ft	26.2ft	29.5ft	32.8ft	36.1ft	39.4ft	42.7ft	45.9ft	49.2ft	52.5ft	55.8ft	59.1ft	62.3ft	65.6ft
11446lx	2862lx	1272lx	715lx	458lx	318lx	234lx	179lx	141lx	114lx	95lx	79lx	68lx	58lx	51lx	45lx	40lx	35lx	32lx	29lx
1063.4fcd	265.8fcd	118.2fcd	66.5fcd	42.5fcd	29.5fcd	21.7fcd	16.6fcd	13.1fcd	10.6fcd	8.8fcd	7.4fcd	6.3fcd	5.4fcd	4.7fcd	4.2fcd	3.7fcd	3.3fcd	2.9fcd	2.7fcd

The above information is for 3000K colour temperature, for specific module information please see LED spec located on our website

For information regarding other colour temperatures please use the following factors for lumen output and candelas:

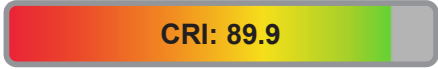
2700K = 1

4000K = 1.084

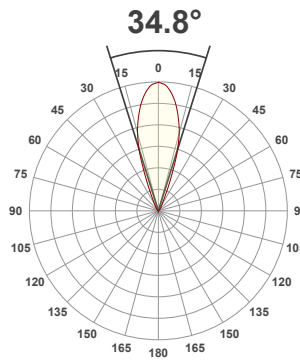
Light efficiency:



Light quality:



Color temperature:



Product name:

**093-LED - LED71-30-34-700mA**

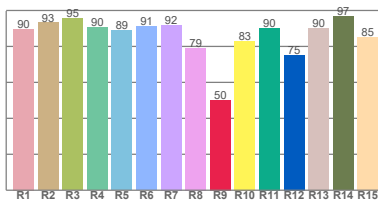
Item number:

**Soft90 Accent -  
LED71-30-34-700mA**

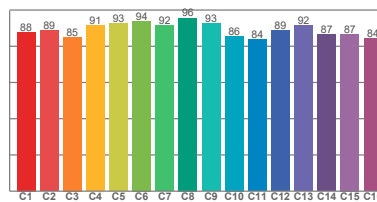
**Delivered information for above  
fixture and LED combination.**

**Output: 1656 Lumen Peak intensity: 4592 cd Power consumption: 27.0**

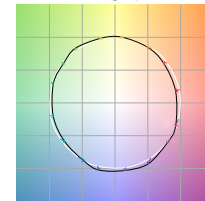
CRI R values



TM30 C Values

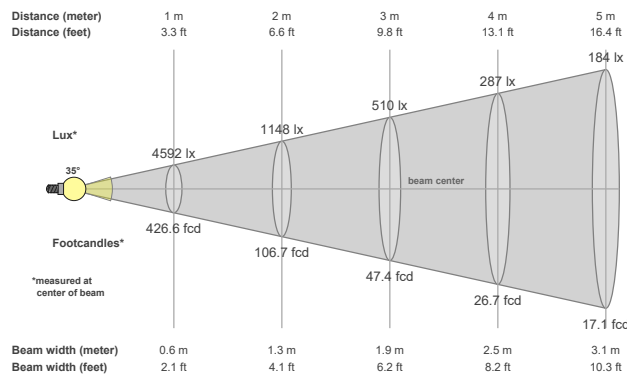


Color vector graphics



Color temperature	Color rendering index	Red component	Color fidelity	Color gamut	Color quality scale	Color coordinate cie 1931	Color coordinate cie 1931	Color coordinate	Color coordinate	Color deviation from black body
CCT	CRI	CRI R9	TM30 Rf	TM30 Rg	CQS	x	y	u	v	Δuv
<b>3000 K</b>	<b>89.9</b>	<b>50.2</b>	<b>89.1</b>	<b>99.2</b>	<b>88.8</b>	<b>0.437</b>	<b>0.404</b>	<b>0.248</b>	<b>0.348</b>	<b>0.0011</b>

**Beam details**



**Beam angles**

Beam angle 50%	Field angle 10%	Cutoff angle 2,5%
<b>34.8°</b>	<b>52.2°</b>	<b>78.8°</b>

**Beam intensities**

Peak intensity	Int. ratio in 120° cone	Int. ratio in 90° cone
<b>4592 cd</b>	<b>98.2%</b>	<b>95.4%</b>

**Beam intensities from 1-20m**

1m	2m	3m	4m	5m	6m	7m	8m	9m	10m	11m	12m	13m	14m	15m	16m	17m	18m	19m	20m
3.3ft	6.6ft	9.8ft	13.1ft	16.4ft	19.7ft	23ft	26.2ft	29.5ft	32.8ft	36.1ft	39.4ft	42.7ft	45.9ft	49.2ft	52.5ft	55.8ft	59.1ft	62.3ft	65.6ft
4592lx	1148lx	510lx	287lx	184lx	128lx	94lx	72lx	57lx	46lx	38lx	32lx	27lx	23lx	20lx	18lx	16lx	14lx	13lx	11lx
426.6fcd	106.7fcd	47.4fcd	26.7fcd	17.1fcd	11.9fcd	8.7fcd	6.7fcd	5.3fcd	4.3fcd	3.5fcd	3fcd	2.5fcd	2.2fcd	1.9fcd	1.7fcd	1.5fcd	1.3fcd	1.2fcd	1.1fcd

The above information is for 3000K colour temperature, for specific module information please see LED spec located on our website

For information regarding other colour temperatures please use the following factors for lumen output and candelas:

2700K = 1  
4000K = 1.084

Light efficiency:

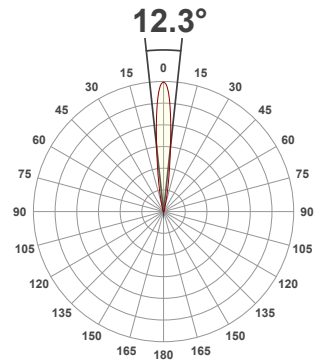
**57 Lumen/Watt**

Light quality:

**CRI: 98.4**

Color temperature:

**3000 K**



Product name:

**093-LED - LED71\_U-30-12-700mA**

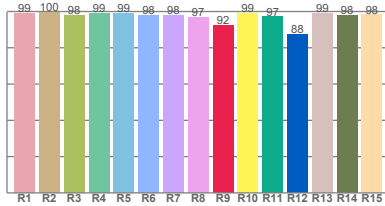
Item number:

**Soft90 Accent - LED71/U-30-12-700mA**

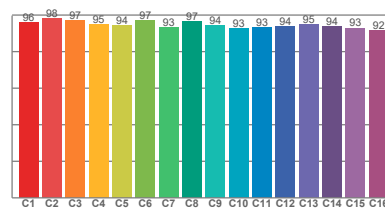
Delivered information for above fixture and LED combination.

**Output: 1536 Lumen Peak intensity: 19727 cd Power consumption: 27.0**

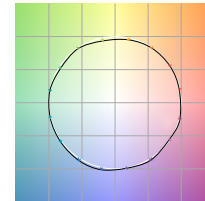
CRI R values



TM30 C Values

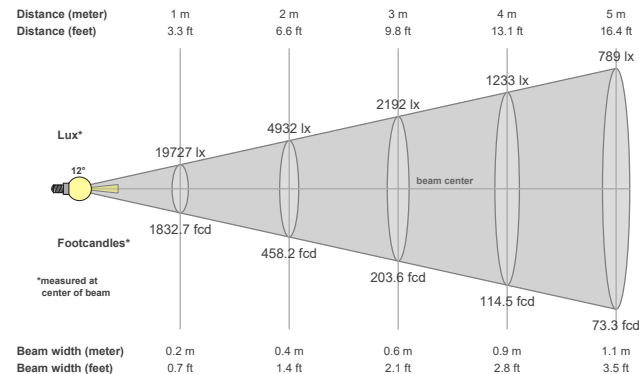


Color vector graphics



Color temperature	Color rendering index	Red component	Color fidelity	Color gamut	Color quality scale	Color coordinate cie 1931	Color coordinate cie 1931	Color coordinate	Color coordinate	Color deviation from black body
CCT	CRI	CRI R9	TM30 Rf	TM30 Rg	CQS	x	y	u	v	Δuv
3000 K	98.4	92.3	94.8	99.4	95.9	0.437	0.404	0.249	0.348	0.0008

**Beam details**



**Beam angles**

Beam angle 50%	Field angle 10%	Cutoff angle 2,5%
12.3°	25°	37.6°

**Beam intensities**

Peak intensity	Int. ratio in 120° cone	Int. ratio in 90° cone
19727 cd	98.6%	96.2%

**Beam intensities from 1-20m**

1m	2m	3m	4m	5m	6m	7m	8m	9m	10m	11m	12m	13m	14m	15m	16m	17m	18m	19m	20m
3.3ft	6.6ft	9.8ft	13.1ft	16.4ft	19.7ft	23ft	26.2ft	29.5ft	32.8ft	36.1ft	39.4ft	42.7ft	45.9ft	49.2ft	52.5ft	55.8ft	59.1ft	62.3ft	65.6ft
19727lx	4932lx	2192lx	1233lx	789lx	548lx	403lx	308lx	244lx	197lx	163lx	137lx	117lx	101lx	88lx	77lx	68lx	61lx	55lx	49lx
1832.7fcd	458.2fcd	203.6fcd	114.5fcd	73.3fcd	50.9fcd	37.4fcd	28.6fcd	22.6fcd	18.3fcd	15.1fcd	12.7fcd	10.8fcd	9.4fcd	8.1fcd	7.2fcd	6.3fcd	5.7fcd	5.1fcd	4.6fcd

The above information is for 3000K colour temperature, for specific module information please see LED spec located on our website

For information regarding other colour temperatures please use the following factors for lumen output and candelas:

2700K = 1



Light efficiency:

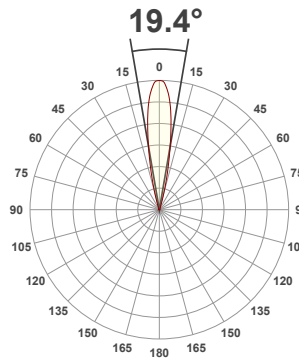
**50 Lumen/Watt**

Light quality:

**CRI: 98.4**

Color temperature:

**3000 K**



Product name:

**093-LED - LED71\_U-30-19-700mA**

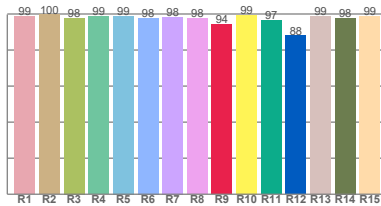
Item number:

**Soft90 Accent -  
LED71/U-30-19-700mA**

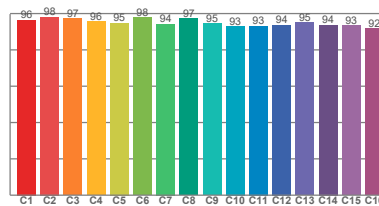
**Delivered information for above  
fixture and LED combination.**

**Output: 1353 Lumen Peak intensity: 9792 cd Power consumption: 27.0**

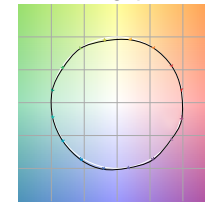
CRI R values



TM30 C Values

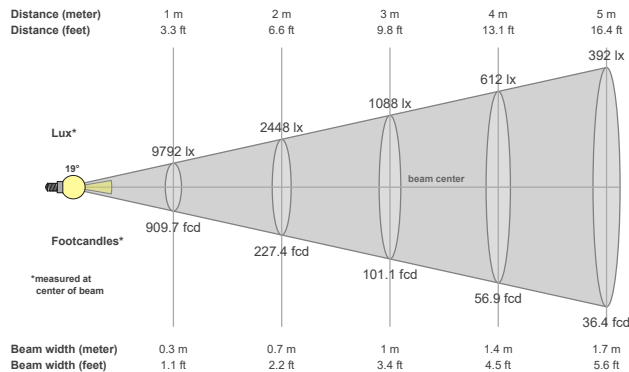


Color vector graphics



Color temperature	Color rendering index	Red component	Color fidelity	Color gamut	Color quality scale	Color coordinate cie 1931	Color coordinate cie 1931	Color coordinate	Color coordinate	Color deviation from black body
CCT	CRI	CRI R9	TM30 Rf	TM30 Rg	CQS	x	y	u	v	Δuv
3000 K	98.4	94.1	95.2	100.0	96.3	0.437	0.404	0.249	0.347	0.0002

## Beam details



## Beam angels

Beam angle 50%	Field angle 10%	Cutoff angle 2,5%
19.4°	32.4°	43.5°

## Beam intensities

Peak intensity	Int. ratio in 120° cone	Int. ratio in 90° cone
9792 cd	98.0%	95.4%

## Beam intensities from 1-20m

1m	2m	3m	4m	5m	6m	7m	8m	9m	10m	11m	12m	13m	14m	15m	16m	17m	18m	19m	20m
3.3ft	6.6ft	9.8ft	13.1ft	16.4ft	19.7ft	23ft	26.2ft	29.5ft	32.8ft	36.1ft	39.4ft	42.7ft	45.9ft	49.2ft	52.5ft	55.8ft	59.1ft	62.3ft	65.6ft
9792lx	2448lx	1088lx	612lx	392lx	272lx	200lx	153lx	121lx	98lx	81lx	68lx	58lx	50lx	44lx	38lx	34lx	30lx	27lx	24lx
909.7fcd	227.4fcd	101.1fcd	56.9fcd	36.4fcd	25.3fcd	18.6fcd	14.2fcd	11.2fcd	9.1fcd	7.5fcd	6.3fcd	5.4fcd	4.6fcd	4fcd	3.6fcd	3.1fcd	2.8fcd	2.5fcd	2.3fcd

The above information is for 3000K colour temperature, for specific module information please see LED spec located on our website

For information regarding other colour temperatures please use the following factors for lumen output and candelas:

2700K = 1

Light efficiency:

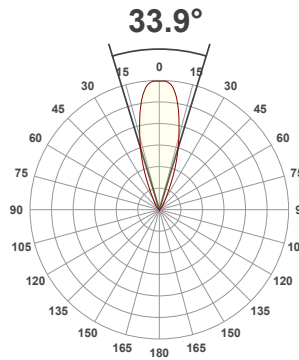
**52 Lumen/Watt**

Light quality:

**CRI: 97.1**

Color temperature:

**3000 K**



Product name:

**093-LED - LED71\_U-30-34-700mA**

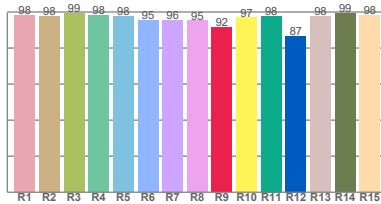
Item number:

**Soft90 Accent - LED71/  
U-30-34-700mA**

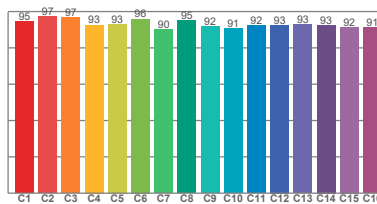
Delivered information for above  
fixture and LED combination.

**Output: 1398 Lumen Peak intensity: 3433 cd Power consumption: 27.0**

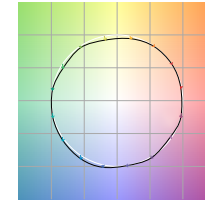
CRI R values



TM30 C Values

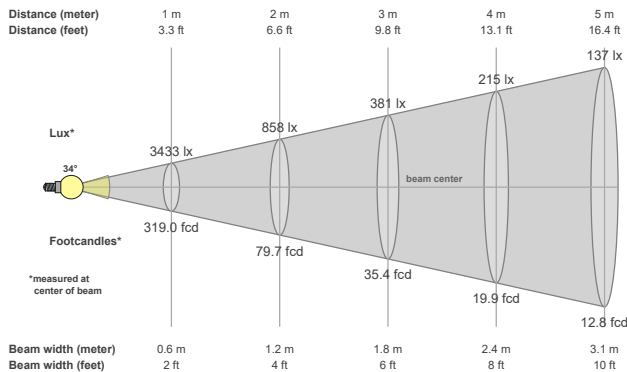


Color vector graphics



Color temperature	Color rendering index	Red component	Color fidelity	Color gamut	Color quality scale	Color coordinate cie 1931	Color coordinate cie 1931	Color coordinate	Color coordinate	Color deviation from black body
CCT	CRI	CRI R9	TM30 Rf	TM30 Rg	CQS	x	y	u	v	Δuv
3000 K	97.1	91.5	93.4	98.6	95.3	0.437	0.404	0.250	0.346	-0.0009

## Beam details



## Beam angles

Beam angle 50%	Field angle 10%	Cutoff angle 2,5%
33.9°	59.4°	89.4°

## Beam intensities

Peak intensity	Int. ratio in 120° cone	Int. ratio in 90° cone
3433 cd	98.6%	95.7%

## Beam intensities from 1-20m

1m	2m	3m	4m	5m	6m	7m	8m	9m	10m	11m	12m	13m	14m	15m	16m	17m	18m	19m	20m
3.3ft	6.6ft	9.8ft	13.1ft	16.4ft	19.7ft	23ft	26.2ft	29.5ft	32.8ft	36.1ft	39.4ft	42.7ft	45.9ft	49.2ft	52.5ft	55.8ft	59.1ft	62.3ft	65.6ft
3433lx	858lx	381lx	215lx	137lx	95lx	70lx	54lx	42lx	34lx	28lx	24lx	20lx	18lx	15lx	13lx	12lx	11lx	10lx	9lx
319fcd	79.7fcd	35.4fcd	19.9fcd	12.8fcd	8.9fcd	6.5fcd	5fcd	3.9fcd	3.2fcd	2.6fcd	2.2fcd	1.9fcd	1.6fcd	1.4fcd	1.2fcd	1.1fcd	1fcd	0.9fcd	0.8fcd

The above information is for 3000K colour temperature, for specific module information please see LED spec located on our website

For information regarding other colour temperatures please use the following factors for lumen output and candelas:

2700K = 1