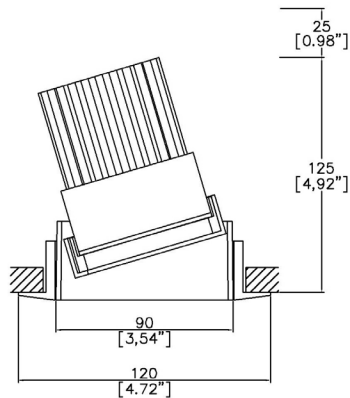


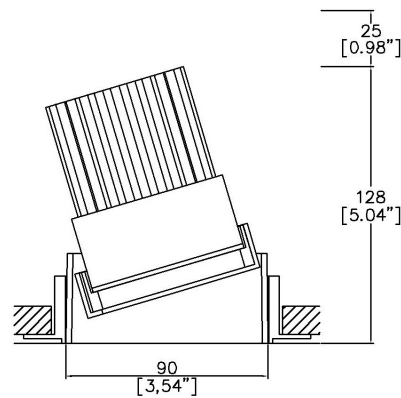
ProSpex Soft90 Accent



120mm (4.72") overall trim diameter. 90mm (3.54") overall trimless diameter. Available with standard trim kit or plaster-in kit for flush appearance. Family of matching products also available. Required depth height + 25mm^



093-LED-TR
Cut-out 105mm Ø



093-LED-TL
Cut-out 102mm Ø

LED Source	LED71	LED71	LED71
CCT	3000K	3000K	3000K
Drive Current	700mA	700mA	700mA
Power inc Driver	27W	27W	27W
Beam Angle	12°	19°	34°
Delivered Lumens	1891	1628	1656
Delivered Intensisty cd	25621	11446	4592
Efficacy lm/w	70	60	61
Forward Volt	33V	33V	33V
CRI	≥90 CRI	≥90 CRI	≥90 CRI

Project Ref: _____

Location Ref: _____

Fixture Order Code: - - - -

Fixture	093-LED	Soft90 Accent with LED71
Installation	TR TL	Trim Trimless
Body Finish	WH BK RAL	White Black Custom RAL Colour*
Trim Finish (Leave blank if trimless)	WH BK RAL	White Black Custom RAL Colour*
Emergency	E ED ES	Maintained 3hr Emergency Maintained 3hr DALI Self Test Maintained 3hr Self Test



LED Order Code: - - -

LED	LED71	LED70 ONE GEN2
CCT	927 930 940	90 CRI 2700K 90 CRI 3000K 90 CRI 4000K
Beam	12 19 34	12° 19° 34°
Protocol	S A P D B	Non-Dim Analogue (0-10v) Phase DALI Bluetooth**



Honeycomb Louvre



Diffusing Lens



Frosted Lens



Heavy Spread Lens



Linear Spread Lens



Warm Tone

Accessories Order Code:

Louvre/Lens

- MD45 Honeycomb Louvre
- MDCC Warm Tone Lens
- MDUV UV Lens
- MDDF Diffusing Lens
- MDFR Frosted Lens
- MDLS Linear Spread Lens
- MDHS Heavy Spread Lens

Technical Details

*Custom RAL code must be specified. Custom RAL colours can increase prices and lead times

Dimming. Whilst Lucent can offer the majority of its luminaires with various dimming options, it remains the responsibility of the specifier/installer to check and ensure compatibility of any control equipment used. Additional cabling may be required depending on the dimming protocol specified.

**Bluetooth (wireless) is the communication method. The exact dimming protocol must be confirmed to allow the selection of suitable drivers or bluetooth devices.

^ Depth indicated is the minimum recess depth for the luminaire with a remote mounted LED driver. Installing a driver through either the luminaire cut-out or installation kit may require additional recess depth, please refer to the relevant luminaire installation instructions for further details. Data correct at time of publishing

First Fix Requirement. Luminaire comprised of fixture body with ceiling trim and installation kit, which is to be fitted into the ceiling once finished. Ensure correct alignment of the installation kit before final assembly (see luminaire installation instructions for details)

IP Rating. Tested from underside of the ceiling

It is the policy of Lucent Lighting to continually review and improve its products and therefore reserve the right to change any details of product or withdraw specifications without prior notice.

Luminaires designed to comply with EN60598 and all other standards.

This specification sheet supersedes all previous versions.

All intellectual property rights pertaining to the product described above and to this document are owned by or licensed to Lucent Lighting Ltd.

We reserve the right to take whatever action is necessary to protect those intellectual property rights.

Please notify Lucent Lighting Ltd of any inaccuracies immediately. E&OE

Light efficiency:

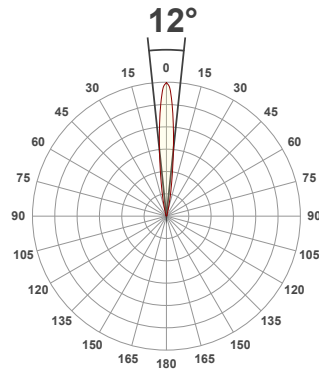
70 Lumen/Watt

Light quality:

CRI: 90.0

Color temperature:

3000 K



Product name:

093-LED - LED71-30-12-700mA

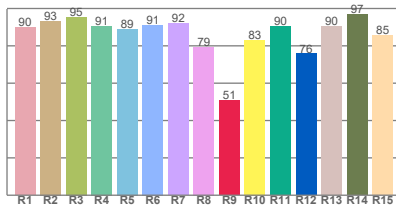
Item number:

Soft90 Accent - LED71-30-12-700mA

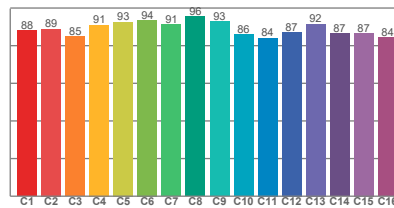
Delivered information for above fixture and LED combination.

Output: 1891 Lumen Peak intensity: 25621 cd Power consumption: 27.0

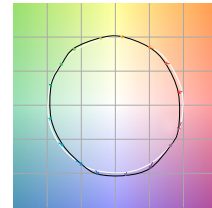
CRI R values



TM30 C Values

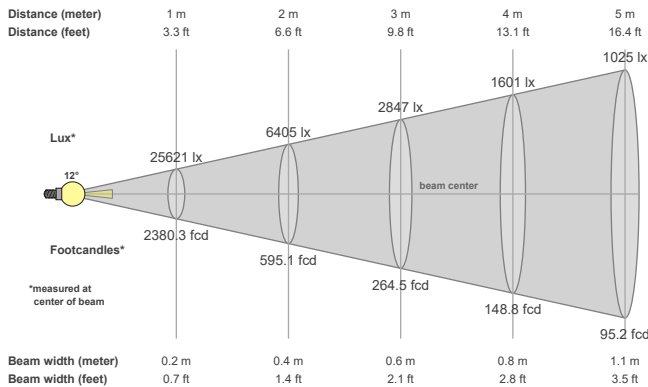


Color vector graphics



Color temperature	Color rendering index	Red component	Color fidelity	Color gamut	Color quality scale	Color coordinate cie 1931	Color coordinate cie 1931	Color coordinate	Color coordinate	Color deviation from black body
CCT	CRI	CRI R9	TM30 Rf	TM30 Rg	CQS	x	y	u	v	Δuv
3000 K	90.0	50.8	89.1	99.4	88.8	0.437	0.404	0.249	0.348	0.0009

Beam details



Beam angles

Beam angle 50%	Field angle 10%	Cutoff angle 2,5%
12°	24.8°	36.6°

Beam intensities

Peak intensity	Int. ratio in 120° cone	Int. ratio in 90° cone
25621 cd	98.9%	96.4%

Beam intensities from 1-20m

1m	2m	3m	4m	5m	6m	7m	8m	9m	10m	11m	12m	13m	14m	15m	16m	17m	18m	19m	20m
3.3ft	6.6ft	9.8ft	13.1ft	16.4ft	19.7ft	23ft	26.2ft	29.5ft	32.8ft	36.1ft	39.4ft	42.7ft	45.9ft	49.2ft	52.5ft	55.8ft	59.1ft	62.3ft	65.6ft
25621lx	6405lx	2847lx	1601lx	1025lx	712lx	523lx	400lx	316lx	256lx	212lx	178lx	152lx	131lx	114lx	100lx	89lx	79lx	71lx	64lx
2380.3fcd	595.1fcd	264.5fcd	148.8fcd	95.2fcd	66.1fcd	48.6fcd	37.2fcd	29.4fcd	23.8fcd	19.7fcd	16.5fcd	14.1fcd	12.1fcd	10.6fcd	9.3fcd	8.2fcd	7.3fcd	6.6fcd	6fcd

The above information is for 3000K colour temperature, for specific module information please see LED spec located on our website

For information regarding other colour temperatures please use the following factors for lumen output and candelas:

2700K = 1
4000K = 1.084

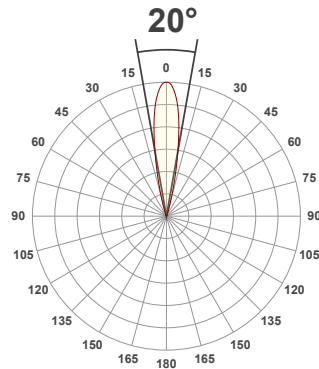
Light efficiency:



Light quality:



Color temperature:



Product name:

093-LED - LED71-30-19-700mA

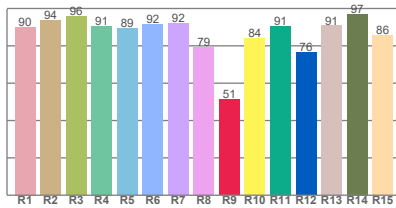
Item number:

Soft90 Accent - LED71-30-19-700mA

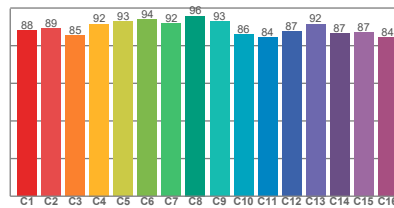
Delivered information for above fixture and LED combination.

Output: 1628 Lumen Peak intensity: 11446 cd Power consumption: 27.0

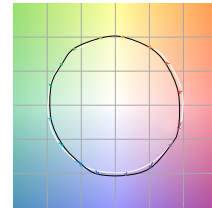
CRI R values



TM30 C Values

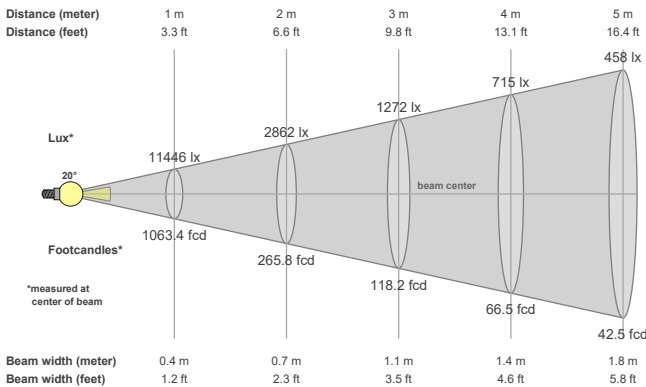


Color vector graphics



Color temperature	Color rendering index	Red component	Color fidelity	Color gamut	Color quality scale	Color coordinate cie 1931	Color coordinate cie 1931	Color coordinate	Color coordinate	Color deviation from black body
CCT	CRI	CRI R9	TM30 Rf	TM30 Rg	CQS	x	y	u	v	Δuv
3000 K	90.3	51.2	89.3	99.2	89.0	0.437	0.404	0.249	0.348	0.0008

Beam details



Beam angles

Beam angle 50%	Field angle 10%	Cutoff angle 2,5%
20°	33°	45°

Beam intensities

Peak intensity	Int. ratio in 120° cone	Int. ratio in 90° cone
11446 cd	98.4%	96.0%

Beam intensities from 1-20m

1m	2m	3m	4m	5m	6m	7m	8m	9m	10m	11m	12m	13m	14m	15m	16m	17m	18m	19m	20m
3.3ft	6.6ft	9.8ft	13.1ft	16.4ft	19.7ft	23ft	26.2ft	29.5ft	32.8ft	36.1ft	39.4ft	42.7ft	45.9ft	49.2ft	52.5ft	55.8ft	59.1ft	62.3ft	65.6ft
11446lx	2862lx	1272lx	715lx	458lx	318lx	234lx	179lx	141lx	114lx	95lx	79lx	68lx	58lx	51lx	45lx	40lx	35lx	32lx	29lx
1063.4fcd	265.8fcd	118.2fcd	66.5fcd	42.5fcd	29.5fcd	21.7fcd	16.6fcd	13.1fcd	10.6fcd	8.8fcd	7.4fcd	6.3fcd	5.4fcd	4.7fcd	4.2fcd	3.7fcd	3.3fcd	2.9fcd	2.7fcd

The above information is for 3000K colour temperature, for specific module information please see LED spec located on our website

For information regarding other colour temperatures please use the following factors for lumen output and candelas:

2700K = 1
4000K = 1.084

Light efficiency:

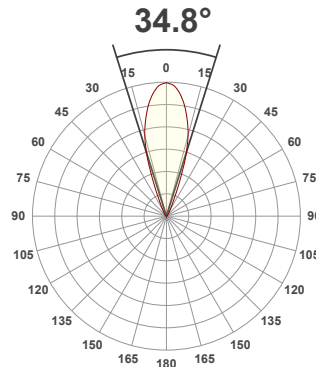
61 Lumen/Watt

Light quality:

CRI: 89.9

Color temperature:

3000 K



Product name:

093-LED - LED71-30-34-700mA

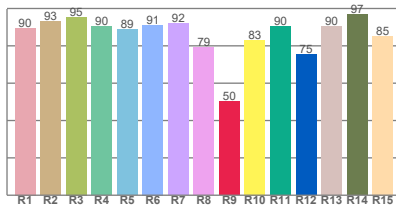
Item number:

Soft90 Accent - LED71-30-34-700mA

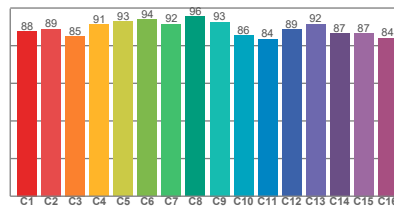
Delivered information for above fixture and LED combination.

Output: 1656 Lumen Peak intensity: 4592 cd Power consumption: 27.0

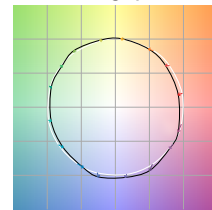
CRI R values



TM30 C Values

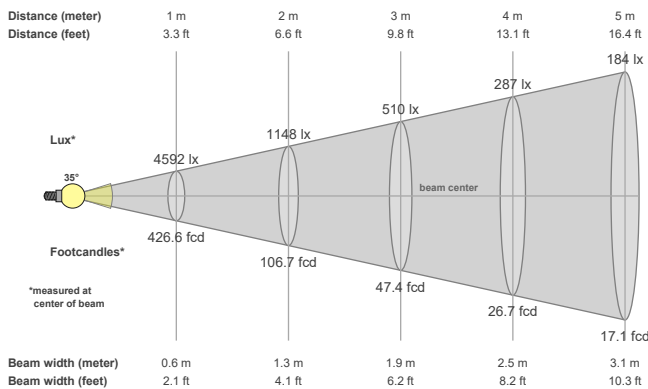


Color vector graphics



Color temperature	Color rendering index	Red component	Color fidelity	Color gamut	Color quality scale	Color coordinate cie 1931	Color coordinate cie 1931	Color coordinate	Color coordinate	Color deviation from black body
CCT	CRI	CRI R9	TM30 Rf	TM30 Rg	CQS	x	y	u	v	Δuv
3000 K	89.9	50.2	89.1	99.2	88.8	0.437	0.404	0.248	0.348	0.0011

Beam details



Beam angles

Beam angle 50%	Field angle 10%	Cutoff angle 2,5%
34.8°	52.2°	78.8°

Beam intensities

Peak intensity	Int. ratio in 120° cone	Int. ratio in 90° cone
4592 cd	98.2%	95.4%

Beam intensities from 1-20m

1m	2m	3m	4m	5m	6m	7m	8m	9m	10m	11m	12m	13m	14m	15m	16m	17m	18m	19m	20m
3.3ft	6.6ft	9.8ft	13.1ft	16.4ft	19.7ft	23ft	26.2ft	29.5ft	32.8ft	36.1ft	39.4ft	42.7ft	45.9ft	49.2ft	52.5ft	55.8ft	59.1ft	62.3ft	65.6ft
4592lx	1148lx	510lx	287lx	184lx	128lx	94lx	72lx	57lx	46lx	38lx	32lx	27lx	23lx	20lx	18lx	16lx	14lx	13lx	11lx
426.6fcd	106.7fcd	47.4fcd	26.7fcd	17.1fcd	11.9fcd	8.7fcd	6.7fcd	5.3fcd	4.3fcd	3.5fcd	3fcd	2.5fcd	2.2fcd	1.9fcd	1.7fcd	1.5fcd	1.3fcd	1.2fcd	1.1fcd

The above information is for 3000K colour temperature, for specific module information please see LED spec located on our website

For information regarding other colour temperatures please use the following factors for lumen output and candelas:

2700K = 1
4000K = 1.084