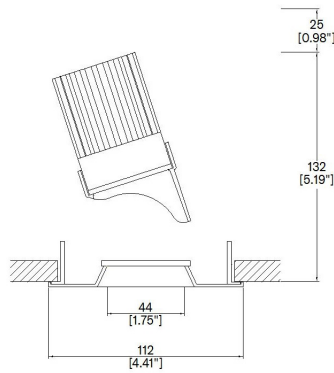


# Plus3.5 Bevel Accent



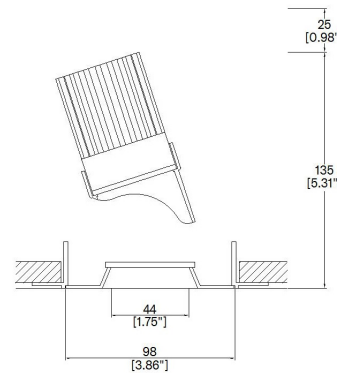
Plus provides high performance electronics and architectural aesthetics in round and square 3.5” and 5” trim. Plus products include adjustable, fixed and wallwash in a flanged or trimless installation kit. Adjustable can be provided with gear driven adjustment or manual adjustment. Available in various front plates (Conical, Bevel, Edge, Pyramidal and Square Bevel) Bevel and Square Bevel available with various color inserts. Tray, retrofit and housing installation methods (NIC, IC, AT, T24 and CCEA) Multiple configurations for equal spacing also available. Lucent modules available in a wide range of color temperatures, beam angles, intensities, and effects (Ambiance WarmDim and Dynamic Tuneable White). MR16 and GU10 LED lamp options available. TRIAC/Phase, 0-10v/1-10v, DMX and DALI/Digital dimming.



**A093+13-LED-TR**  
359° rotation. Up to 45° tilt.  
Cut-out 102mm (4.02”) Ø



**Installation kit for overlap flange**



**A093+13-LED-TL**  
359° rotation. Up to 45° tilt.  
Cut-out 102mm (4.02”) Ø



**Mud-in kit for seamless/trimless**

LED Source	LED51/2	LED51/2	LED51/2	LED51/2	LED51/U	LED51/U	LED51/U	LED51/U
CCT	3000K	3000K	3000K	3000K	3000K	3000K	3000K	3000K
Drive Current	350mA	350mA	350mA	350mA	350mA	350mA	350mA	350mA
Power inc Driver	13.6W	13.6W	13.6W	13.6W	13.6W	13.6W	13.6W	13.6W
Beam Angle	12°	24°	38°	55°	12°	24°	38°	55°
Delivered Lumens	675	721	823	592	718	599	684	507
Delivered Intensity cd	10252	4159	2483	1166	9687	3862	1802	987
Efficacy lm/w	50	53	61	43	53	44	50	37
Forward Volt	33V	33V	33V	33V	33V	33V	33V	33V
CRI	≥90 CRI	≥90 CRI	≥90 CRI	≥90 CRI	≥98 CRI	≥98 CRI	≥98 CRI	≥98 CRI

Project Ref: \_\_\_\_\_

Location Ref: \_\_\_\_\_

Specify fixture part number (All boxes must be filled in to correctly order)

A093+13-LED													
-------------	--	--	--	--	--	--	--	--	--	--	--	--	--

**Installation**

- TR Flange kit
- TL Mud-in kit

**Finish**

- WH White
- BK Black
- RAL Custom\*

**Location**

- XX Dry
- DP Damp

**Ceiling Thickness**

- SC Standard Ceiling (1/2"-5/8"-3/4")
- C Custom

**LED Type**

- LED51/2 LED51/2 (90CRI)
- LED51/U LED51/U (98CRI)

**CCT**

- 27 2700K
- 30 3000K
- 35 3500K
- 40 4000K (90 CRI ONLY)

**Beam Angles**

- 12 12
- 24 24
- 38 38
- 55 55

**Housing/Tray**

- LMT-13-NIC Mounting Tray Non-Insulated ceilings
- LH-6.75-NIC Housing 6.75" Non-Insulated ceilings
- LH-8.50-AT/IC Housing 8.50" Insulated/Air-tight ceilings and Chicago Plenum

**Mounting Hardware**

- 09 9" to 15.25" - Adjustable Bar Hanger Lengths
- 14 14" to 24" - Adjustable Bar Hanger Lengths
- 36 28" to 36" - Adjustable Bar Hanger Lengths
- BB Butterfly Bracket
- CB Caterpillar Bracket

**Supply Voltage**

- 120 120V
- 277 277V

**Dimming Protocol**

- S Non-Dimmable
- P TRIAC/Phase (120V ONLY) (25-10% Minimum Dimming)\*\*\*
- AWN Athena wireless RF node\*\*\*\*
- LHE EcoSystem Hi-Lume Fade to Black (1% Dimming)
- LAE Lutron 3-Wire Hi-Lume (1% Dimming)
- LHP Lutron Hi-Lume Premier EcoSystem (0.1% Dimming)
- A 0-10V (15-5% Minimum Dimming)\*\*\*
- ESD EldoLED Solo DALI2 (0.1% Dimming)
- EED EldoLED Eco DALI2 (1% Dimming)
- ESA EldoLED Solo 0-10V/1-10V (0.1% Dimming)
- EEA EldoLED Eco 0-10V/1-10V (1% Dimming)
- B Bluetooth\*\*

**Emergency**

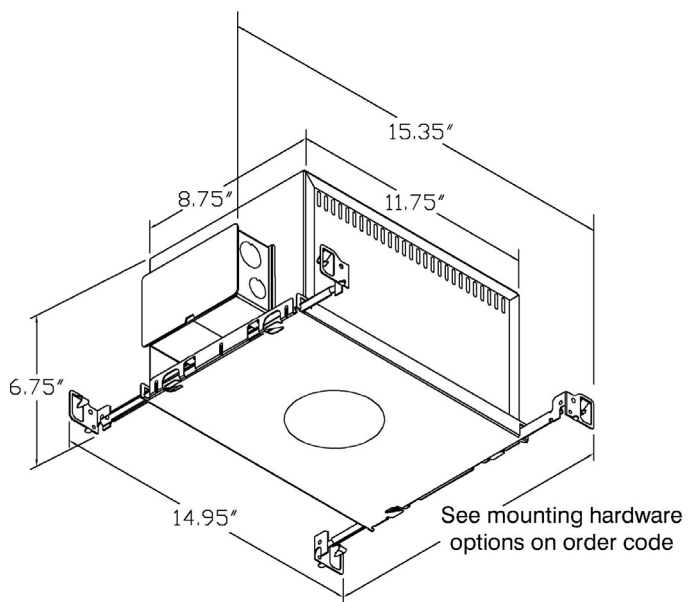
- E 1.5h Emergency
- ES 1.5h Self test

**Louvre/Lens**

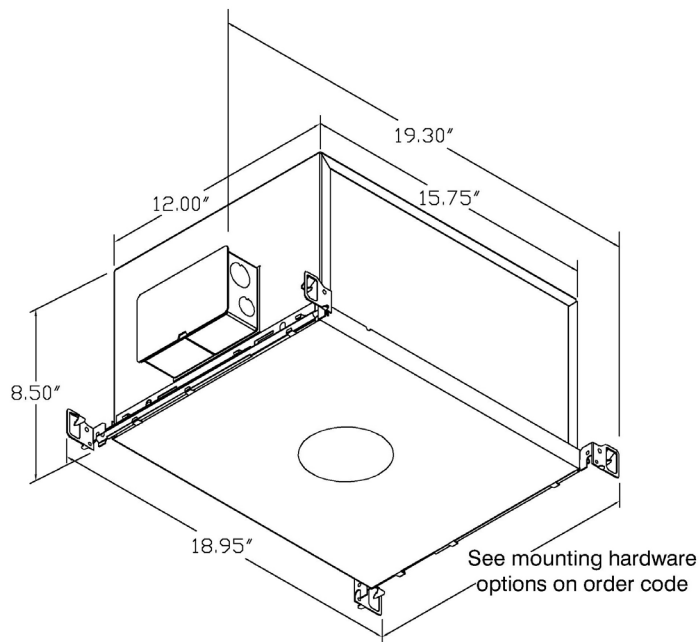
- XX Not required
- LL45 Honeycomb
- LLCC Warm Tone
- LLUV UV
- LLDF Solite/Diffusing
- LLFR Frosted Lens
- LLLS Linear Spread
- LLHS Heavy Spread

\*Refer to Technical Details for more information

Housing dimensions

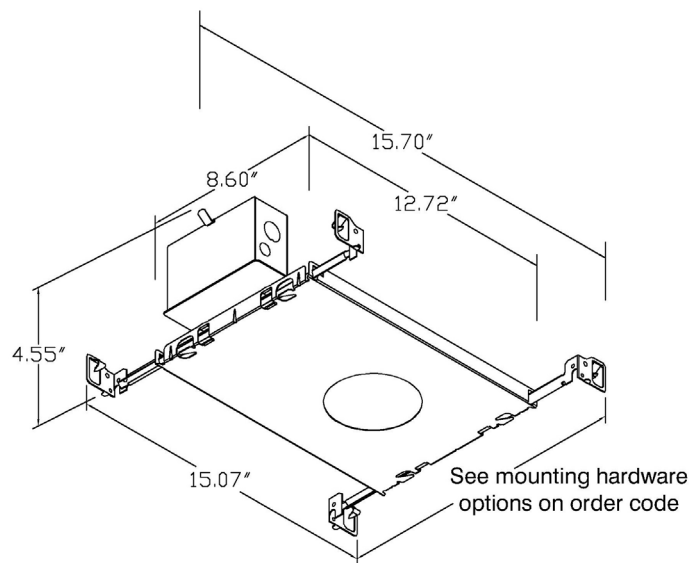


LH-6.75  
Non-insulated ceilings

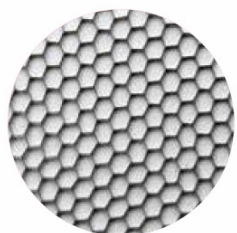


LH-8.50  
Insulated/air-tight ceilings and  
Chicago Plenum

Tray dimensions



LMT-13  
Non-insulated ceilings



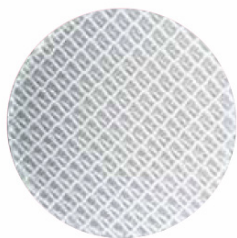
**Honeycomb Louvre (LL45)**



**Solite/Diffusing Lens (LLDF)**



**Frosted Lens (LLFR)**



**Heavy Spread Lens (LLHS)**



**Linear Spread Lens (LLLS)**



**Warm Tone (LLCC)**

---

## Technical Details

\*Custom color requires a paint chip or RAL code and may increase price and lead-time

It is the responsibility of the specifier/integrator/installer to check and ensure compatibility of any control equipment used. Additional cabling may be required depending on the dimming protocol specified.

\*\*DALI Type 6 requires two DALI addresses, one for CCT control the other for intensity control. DALI Type 8 is a single DALI Type 8 address for CCT and intensity control. Please check which control system is being used before specifying.

\*\*\*\* Available for integration with Lutron Athena Control systems. Please contact Lucent Lighting Inc./Lutron factory for further details.

^ Depth indicated is the minimum recess depth for the luminaire with a remote mounted LED driver. Installing a driver through either the luminaire cut-out or installation kit may require additional recess depth, please refer to the relevant installation instructions prior to purchase.

First Fix Requirement. Luminaire comprised of fixture body with ceiling trim and installation kit, which is to be fitted into the ceiling once finished. Ensure correct alignment of the installation kit before final assembly (see luminaire installation instructions for details)

Location. Tested from underside of the ceiling.

Data correct at time of publishing. It is the policy of Lucent Lighting to continually review and improve its products and therefore reserve the right to change any details of product or withdraw specifications without prior notice.

This specification sheet supersedes all previous versions.

All intellectual property rights pertaining to the product described above and to this document are owned by or licensed to Lucent Lighting, Incorporated. Lucent Lighting reserves the right to take whatever action is necessary to protect its intellectual property, patents and trademarks

Please notify Lucent Lighting Inc. inaccuracies. E&OE

---



Light efficiency:

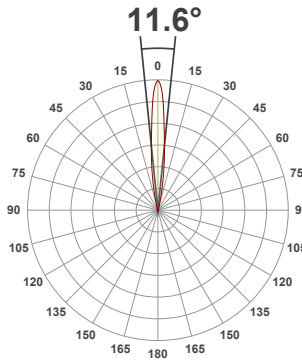
**50 Lumen/Watt**

Light quality:

**CRI: 92.2**

Color temperature:

**3000 K**



Product name:

**PlusBevel Accent - LED51  
GEN2, 3000K, 12°, 350mA**

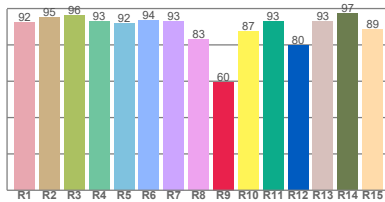
Item number:

**090+13-LED51/2-30-12-350mA**

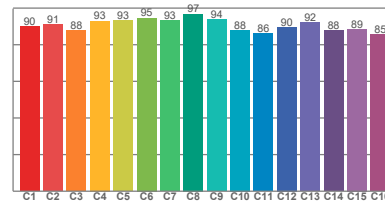
**Delivered information for above  
fixture and LED combination.**

**Output: 675 Lumen Peak intensity: 10252 cd Power consumption: 13.6**

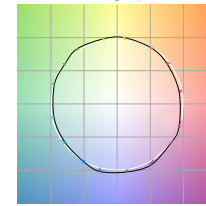
CRI R values



TM30 C Values

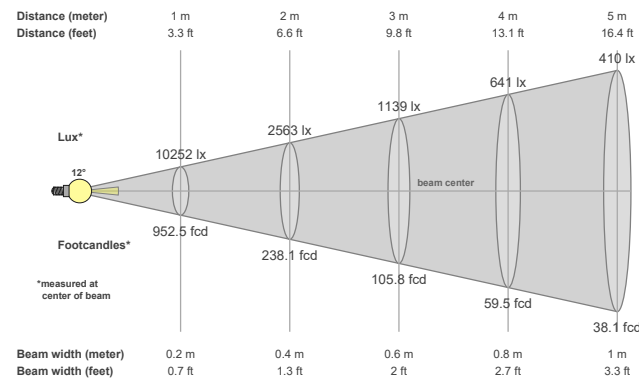


Color vector graphics



Color temperature	Color rendering index	Red component	Color fidelity	Color gamut	Color quality scale	Color coordinate cie 1931	Color coordinate cie 1931	Color coordinate	Color coordinate	Color deviation from black body
CCT	CRI	CRI R9	TM30 Rf	TM30 Rg	CQS	x	y	u	v	Δuv
3000 K	92.2	59.6	90.7	99.8	90.5	0.437	0.404	0.248	0.347	0.0002

**Beam details**



**Beam angles**

Beam angle 50%	Field angle 10%	Cutoff angle 2,5%
<b>11.6°</b>	<b>25.3°</b>	<b>35.8°</b>

**Beam intensities**

Peak intensity	Int. ratio in 120° cone	Int. ratio in 90° cone
<b>10252 cd</b>	<b>99.5%</b>	<b>99.3%</b>

**Beam intensities from 1-20m**

1m	2m	3m	4m	5m	6m	7m	8m	9m	10m	11m	12m	13m	14m	15m	16m	17m	18m	19m	20m
3.3ft	6.6ft	9.8ft	13.1ft	16.4ft	19.7ft	23ft	26.2ft	29.5ft	32.8ft	36.1ft	39.4ft	42.7ft	45.9ft	49.2ft	52.5ft	55.8ft	59.1ft	62.3ft	65.6ft
10252lx	2563lx	1139lx	641lx	410lx	285lx	209lx	160lx	127lx	103lx	85lx	71lx	61lx	52lx	46lx	40lx	35lx	32lx	28lx	26lx
952.5fcd	238.1fcd	105.8fcd	59.5fcd	38.1fcd	26.5fcd	19.4fcd	14.9fcd	11.8fcd	9.5fcd	7.9fcd	6.6fcd	5.6fcd	4.9fcd	4.2fcd	3.7fcd	3.3fcd	2.9fcd	2.6fcd	2.4fcd

The above information is for 3000K colour temperature, for specific module information please see LED spec located on our website

For information regarding other colour temperatures please use the following factors for lumen output and candelas:

2700K = 1  
4000K = 1.084

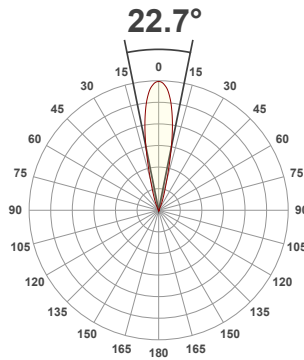
Light efficiency:



Light quality:



Color temperature:



Product name:

**PlusBevel Accent - LED51  
GEN2, 3000K, 24°, 350mA**

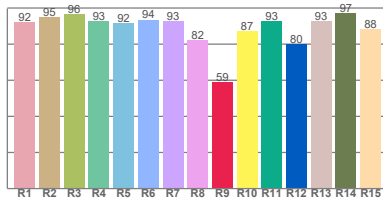
Item number:

**090+13-LED51/2-30-24-350mA**

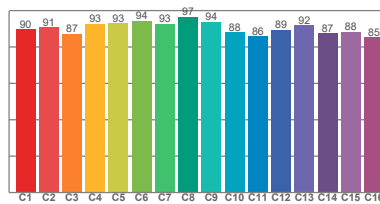
**Delivered information for above  
fixture and LED combination.**

**Output: 721 Lumen Peak intensity: 4159 cd Power consumption: 13.6**

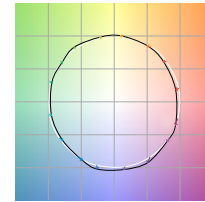
CRI R values



TM30 C Values

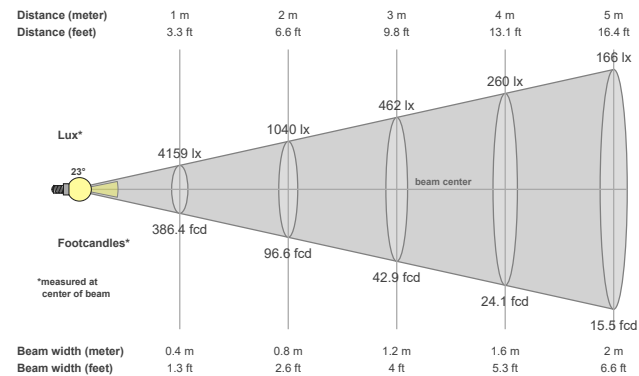


Color vector graphics



Color temperature	Color rendering index	Red component	Color fidelity	Color gamut	Color quality scale	Color coordinate cie 1931	Color coordinate cie 1931	Color coordinate	Color coordinate	Color deviation from black body
CCT	CRI	CRI R9	TM30 Rf	TM30 Rg	CQS	x	y	u	v	Δuv
3000 K	92.1	58.8	90.5	99.9	90.3	0.437	0.404	0.249	0.347	-0.0002

**Beam details**



**Beam angles**

Beam angle 50%	Field angle 10%	Cutoff angle 2,5%
22.7°	39.9°	53.5°

**Beam intensities**

Peak intensity	Int. ratio in 120° cone	Int. ratio in 90° cone
4159 cd	99.7%	99.6%

**Beam intensities from 1-20m**

1m	2m	3m	4m	5m	6m	7m	8m	9m	10m	11m	12m	13m	14m	15m	16m	17m	18m	19m	20m
3.3ft	6.6ft	9.8ft	13.1ft	16.4ft	19.7ft	23ft	26.2ft	29.5ft	32.8ft	36.1ft	39.4ft	42.7ft	45.9ft	49.2ft	52.5ft	55.8ft	59.1ft	62.3ft	65.6ft
4159lx	1040lx	462lx	260lx	166lx	116lx	85lx	65lx	51lx	42lx	34lx	29lx	25lx	21lx	18lx	16lx	14lx	13lx	12lx	10lx
386.4fcd	96.6fcd	42.9fcd	24.1fcd	15.5fcd	10.7fcd	7.9fcd	6fcd	4.8fcd	3.9fcd	3.2fcd	2.7fcd	2.3fcd	2fcd	1.7fcd	1.5fcd	1.3fcd	1.2fcd	1.1fcd	1fcd

The above information is for 3000K colour temperature, for specific module information please see LED spec located on our website

For information regarding other colour temperatures please use the following factors for lumen output and candelas:

2700K = 1  
4000K = 1.084

Light efficiency:

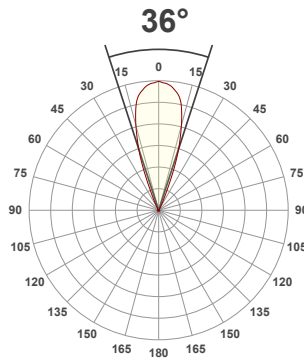
**61 Lumen/Watt**

Light quality:

**CRI: 92.0**

Color temperature:

**3000 K**



Product name:

**PlusBevel Accent - LED51  
GEN2, 3000K, 38°, 350mA**

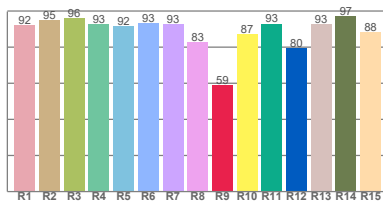
Item number:

**090+13-LED51/2-30-38-350mA**

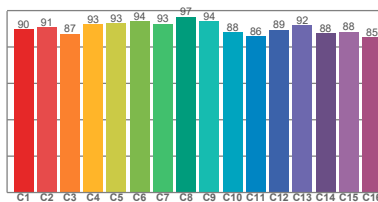
**Delivered information for above  
fixture and LED combination.**

**Output: 823 Lumen Peak intensity: 2483 cd Power consumption: 13.6**

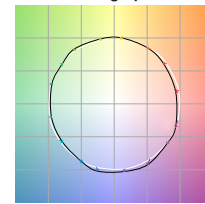
CRI R values



TM30 C Values

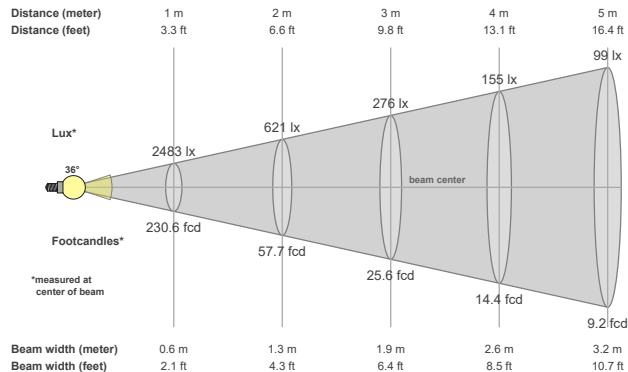


Color vector graphics



Color temperature	Color rendering index	Red component	Color fidelity	Color gamut	Color quality scale	Color coordinate cie 1931	Color coordinate cie 1931	Color coordinate	Color coordinate	Color deviation from black body
CCT	CRI	CRI R9	TM30 Rf	TM30 Rg	CQS	x	y	u	v	Δuv
3000 K	92.0	58.9	90.5	100.0	90.3	0.437	0.404	0.249	0.347	0.0002

## Beam details



## Beam angels

Beam angle 50%	Field angle 10%	Cutoff angle 2,5%
36°	49°	59.9°

## Beam intensities

Peak intensity	Int. ratio in 120° cone	Int. ratio in 90° cone
2483 cd	99.7%	99.6%

## Beam intensities from 1-20m

1m	2m	3m	4m	5m	6m	7m	8m	9m	10m	11m	12m	13m	14m	15m	16m	17m	18m	19m	20m
3.3ft	6.6ft	9.8ft	13.1ft	16.4ft	19.7ft	23ft	26.2ft	29.5ft	32.8ft	36.1ft	39.4ft	42.7ft	45.9ft	49.2ft	52.5ft	55.8ft	59.1ft	62.3ft	65.6ft
2483lx	621lx	276lx	155lx	99lx	69lx	51lx	39lx	31lx	25lx	21lx	17lx	15lx	13lx	11lx	10lx	9lx	8lx	7lx	6lx
230.6 fcd	57.7 fcd	25.6 fcd	14.4 fcd	9.2 fcd	6.4 fcd	4.7 fcd	3.6 fcd	2.8 fcd	2.3 fcd	1.9 fcd	1.6 fcd	1.4 fcd	1.2 fcd	1 fcd	0.9 fcd	0.8 fcd	0.7 fcd	0.6 fcd	0.6 fcd

The above information is for 3000K colour temperature, for specific module information please see LED spec located on our website

For information regarding other colour temperatures please use the following factors for lumen output and candelas:

2700K = 1

4000K = 1.084

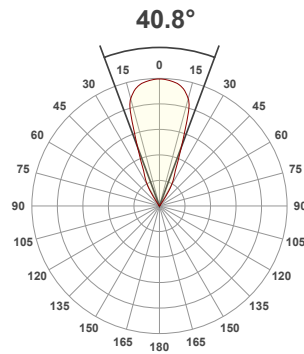
**Light efficiency:**



**Light quality:**



**Color temperature:**



**Product name:**

**PlusBevel Accent - LED51 GEN2, 3000K, 55°, 350mA**

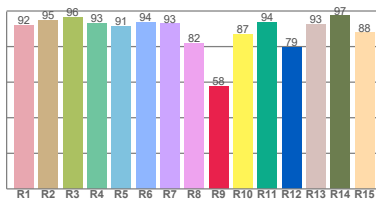
**Item number:**

**090+13-LED51/2-30-55-350mA**

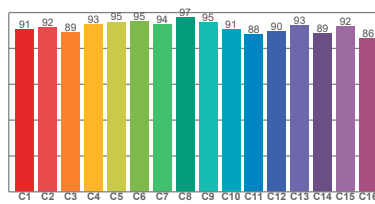
**Delivered information for above fixture and LED combination.**

**Output: 592 Lumen Peak intensity: 1166 cd Power consumption: 13.6**

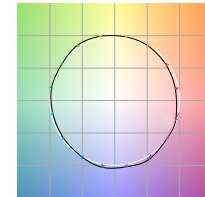
**CRI R values**



**TM30 C Values**

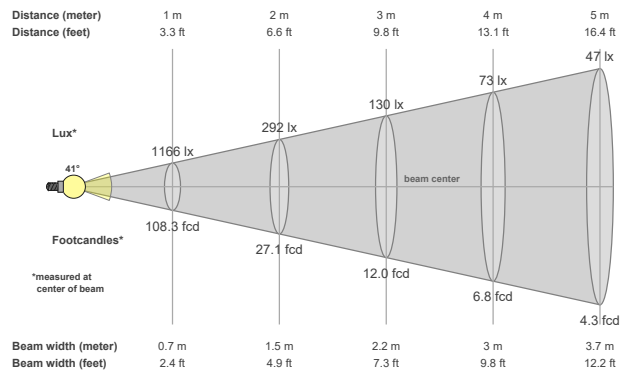


**Color vector graphics**



Color temperature	Color rendering index	Red component	Color fidelity	Color gamut	Color quality scale	Color coordinate cie 1931	Color coordinate cie 1931	Color coordinate	Color coordinate	Color deviation from black body
CCT	CRI	CRI R9	TM30 Rf	TM30 Rg	CQS	x	y	u	v	Δuv
3000 K	92.0	57.6	91.6	99.6	90.5	0.437	0.404	0.251	0.348	0.0008

**Beam details**



**Beam angles**

Beam angle 50%	Field angle 10%	Cutoff angle 2,5%
40.8°	66.6°	73.8°

**Beam intensities**

Peak intensity	Int. ratio in 120° cone	Int. ratio in 90° cone
1166 cd	99.5%	99.3%

**Beam intensities from 1-20m**

1m	2m	3m	4m	5m	6m	7m	8m	9m	10m	11m	12m	13m	14m	15m	16m	17m	18m	19m	20m
3.3ft	6.6ft	9.8ft	13.1ft	16.4ft	19.7ft	23ft	26.2ft	29.5ft	32.8ft	36.1ft	39.4ft	42.7ft	45.9ft	49.2ft	52.5ft	55.8ft	59.1ft	62.3ft	65.6ft
1166lx	292lx	130lx	73lx	47lx	32lx	24lx	18lx	14lx	12lx	10lx	8lx	7lx	6lx	5lx	5lx	4lx	4lx	3lx	3lx
108.3fcd	27.1fcd	12fcd	6.8fcd	4.3fcd	3fcd	2.2fcd	1.7fcd	1.3fcd	1.1fcd	0.9fcd	0.8fcd	0.6fcd	0.6fcd	0.5fcd	0.4fcd	0.4fcd	0.3fcd	0.3fcd	0.3fcd

The above information is for 3000K colour temperature, for specific module information please see LED spec located on our website

For information regarding other colour temperatures please use the following factors for lumen output and candelas:

2700K = 1  
4000K = 1.084



**Light efficiency:**

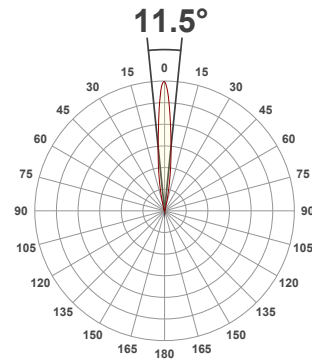
**53 Lumen/Watt**

**Light quality:**

**CRI: 97.9**

**Color temperature:**

**3000 K**



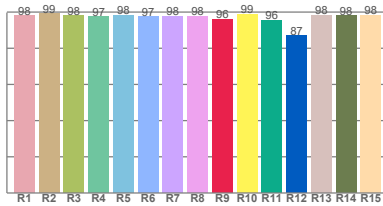
**Product name:**  
**093+13-LED - LED51\_U-30-12-350mA**

**Item number:**  
**Plus Bevel Locking Accent - LED51\_U-30-12-350mA**

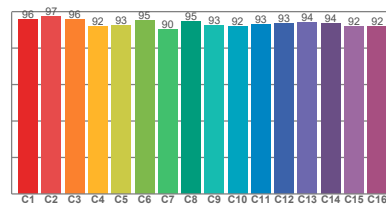
**Delivered information for above fixture and LED combination.**

**Output: 718 Lumen Peak intensity: 9687 cd Power consumption: 13.6**

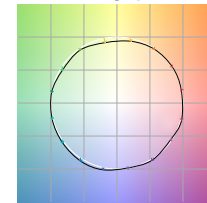
**CRI R values**



**TM30 C Values**

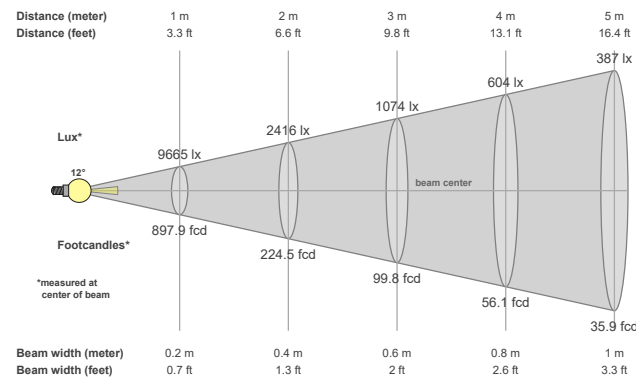


**Color vector graphics**



Color temperature	Color rendering index	Red component	Color fidelity	Color gamut	Color quality scale	Color coordinate cie 1931	Color coordinate cie 1931	Color coordinate	Color coordinate	Color deviation from black body
CCT	CRI	CRI R9	TM30 Rf	TM30 Rg	CQS	x	y	u	v	Δuv
3000 K	97.9	95.9	93.6	98.8	94.8	0.437	0.404	0.249	0.349	0.0016

**Beam details**



**Beam angels**

Beam angle 50%	Field angle 10%	Cutoff angle 2,5%
11.5°	25.7°	34.4°

**Beam intensities**

Peak intensity	Int. ratio in 120° cone	Int. ratio in 90° cone
9687 cd	99.5%	93.9%

**Beam intensities from 1-20m**

1m	2m	3m	4m	5m	6m	7m	8m	9m	10m	11m	12m	13m	14m	15m	16m	17m	18m	19m	20m
3.3ft	6.6ft	9.8ft	13.1ft	16.4ft	19.7ft	23ft	26.2ft	29.5ft	32.8ft	36.1ft	39.4ft	42.7ft	45.9ft	49.2ft	52.5ft	55.8ft	59.1ft	62.3ft	65.6ft
9665lx	2416lx	1074lx	604lx	387lx	268lx	197lx	151lx	119lx	97lx	80lx	67lx	57lx	49lx	43lx	38lx	33lx	30lx	27lx	24lx
897.9fcd	224.5fcd	99.8fcd	56.1fcd	35.9fcd	24.9fcd	18.3fcd	14fcd	11.1fcd	9fcd	7.4fcd	6.2fcd	5.3fcd	4.6fcd	4fcd	3.5fcd	3.1fcd	2.8fcd	2.5fcd	2.2fcd

The above information is for 3000K colour temperature, for specific module information please see LED spec located on our website

For information regarding other colour temperatures please use the following factors for lumen output and candelas:

2700K = 1

Light efficiency:

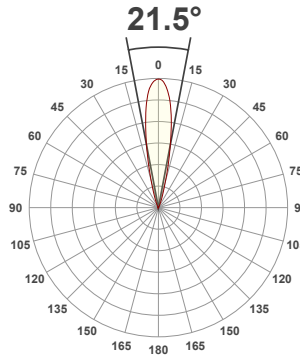
**44 Lumen/Watt**

Light quality:

**CRI: 97.7**

Color temperature:

**3000 K**



Product name:

**093+13-LED - LED51\_U-30-24-350mA**

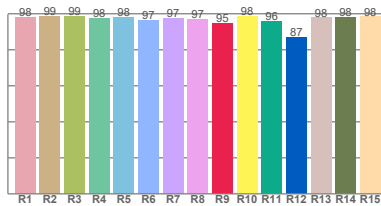
Item number:

**Plus Bevel Locking Accent - LED51\_U-30-24-350mA**

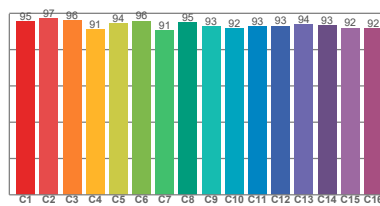
Delivered information for above fixture and LED combination.

Output: 599 Lumen Peak intensity: 3862 cd Power consumption: 13.6

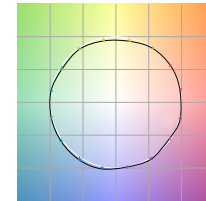
CRI R values



TM30 C Values

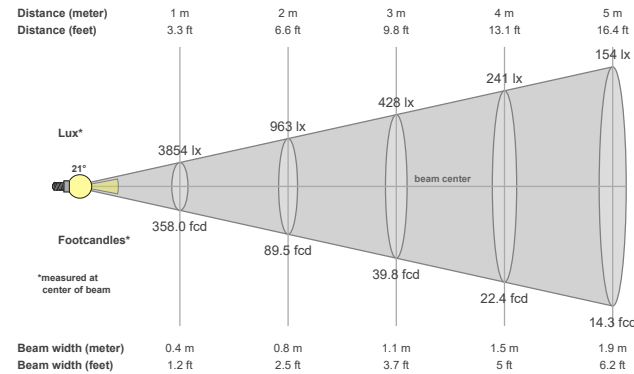


Color vector graphics



Color temperature	Color rendering index	Red component	Color fidelity	Color gamut	Color quality scale	Color coordinate cie 1931	Color coordinate cie 1931	Color coordinate	Color coordinate	Color deviation from black body
CCT	CRI	CRI R9	TM30 Rf	TM30 Rg	CQS	x	y	u	v	Δuv
3000 K	97.7	94.6	93.7	99.0	95.2	0.437	0.404	0.251	0.348	0.0008

### Beam details



### Beam angles

Beam angle 50%	Field angle 10%	Cutoff angle 2,5%
21.5°	37.4°	50.5°

### Beam intensities

Peak intensity	Int. ratio in 120° cone	Int. ratio in 90° cone
3862 cd	99.6%	99.5%

### Beam intensities from 1-20m

1m	2m	3m	4m	5m	6m	7m	8m	9m	10m	11m	12m	13m	14m	15m	16m	17m	18m	19m	20m
3.3ft	6.6ft	9.8ft	13.1ft	16.4ft	19.7ft	23ft	26.2ft	29.5ft	32.8ft	36.1ft	39.4ft	42.7ft	45.9ft	49.2ft	52.5ft	55.8ft	59.1ft	62.3ft	65.6ft
3854lx	963lx	428lx	241lx	154lx	107lx	79lx	60lx	48lx	39lx	32lx	27lx	23lx	20lx	17lx	15lx	13lx	12lx	11lx	10lx
358fcd	89.5fcd	39.8fcd	22.4fcd	14.3fcd	9.9fcd	7.3fcd	5.6fcd	4.4fcd	3.6fcd	3fcd	2.5fcd	2.1fcd	1.8fcd	1.6fcd	1.4fcd	1.2fcd	1.1fcd	1fcd	0.9fcd

The above information is for 3000K colour temperature, for specific module information please see LED spec located on our website

For information regarding other colour temperatures please use the following factors for lumen output and candelas:

2700K = 1

Light efficiency:

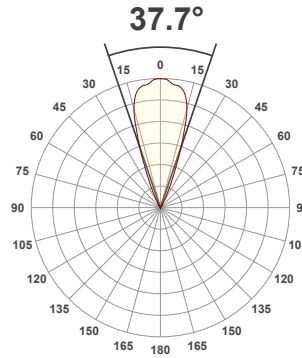
**50 Lumen/Watt**

Light quality:

**CRI: 97.9**

Color temperature:

**3000 K**



Product name:

**093+13-LED - LED51\_U-30-38-350mA**

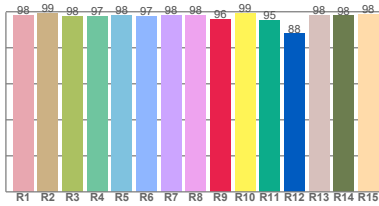
Item number:

**Plus Bevel Locking Accent - LED51\_U-30-38-350mA**

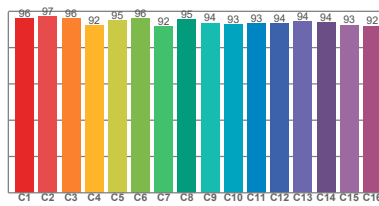
**Delivered information for above fixture and LED combination.**

**Output: 684 Lumen Peak intensity: 1802 cd Power consumption: 13.6**

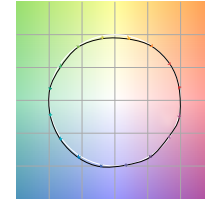
CRI R values



TM30 C Values

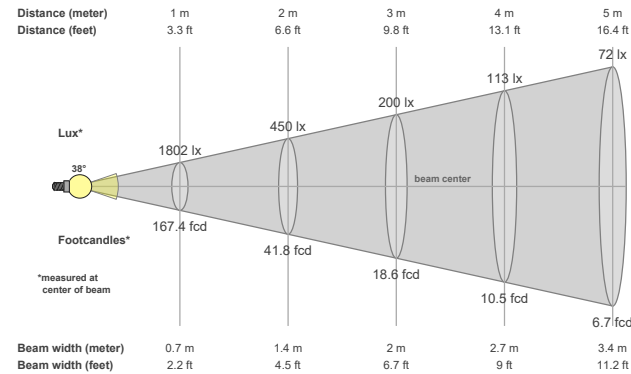


Color vector graphics



Color temperature	Color rendering index	Red component	Color fidelity	Color gamut	Color quality scale	Color coordinate cie 1931	Color coordinate cie 1931	Color coordinate	Color coordinate	Color deviation from black body
CCT	CRI	CRI R9	TM30 Rf	TM30 Rg	CQS	x	y	u	v	Δuv
3000 K	97.9	96.0	94.3	99.3	95.3	0.437	0.404	0.250	0.349	0.0012

## Beam details



## Beam angles

Beam angle 50%	Field angle 10%	Cutoff angle 2,5%
37.7°	53.5°	62.7°

## Beam intensities

Peak intensity	Int. ratio in 120° cone	Int. ratio in 90° cone
1802 cd	99.3%	99.1%

## Beam intensities from 1-20m

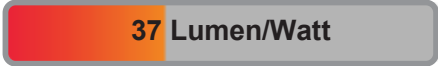
1m	2m	3m	4m	5m	6m	7m	8m	9m	10m	11m	12m	13m	14m	15m	16m	17m	18m	19m	20m
3.3ft	6.6ft	9.8ft	13.1ft	16.4ft	19.7ft	23ft	26.2ft	29.5ft	32.8ft	36.1ft	39.4ft	42.7ft	45.9ft	49.2ft	52.5ft	55.8ft	59.1ft	62.3ft	65.6ft
1802lx	450lx	200lx	113lx	72lx	50lx	37lx	28lx	22lx	18lx	15lx	13lx	11lx	9lx	8lx	7lx	6lx	6lx	5lx	5lx
167.4fcd	41.8fcd	18.6fcd	10.5fcd	6.7fcd	4.6fcd	3.4fcd	2.6fcd	2.1fcd	1.7fcd	1.4fcd	1.2fcd	1fcd	0.9fcd	0.7fcd	0.7fcd	0.6fcd	0.5fcd	0.5fcd	0.4fcd

The above information is for 3000K colour temperature, for specific module information please see LED spec located on our website

For information regarding other colour temperatures please use the following factors for lumen output and candelas:

$$2700K = 1$$

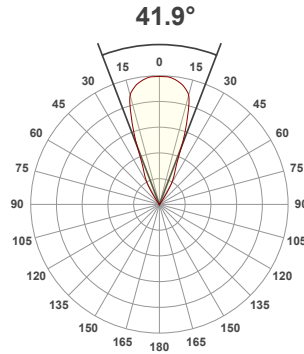
**Light efficiency:**



**Light quality:**



**Color temperature:**

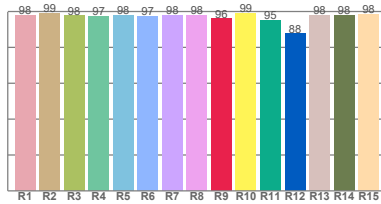


**Product name:**  
**093+13-LED -**  
**LED51\_U-30-55-350mA**  
**Item number:**  
**Plus Bevel Locking Accent -**  
**LED51\_U-30-55-350mA**

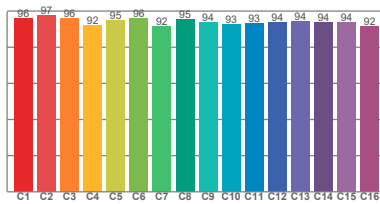
**Delivered information for above fixture and LED combination.**

**Output: 507 Lumen    Peak intensity: 987 cd    Power consumption: 13.6**

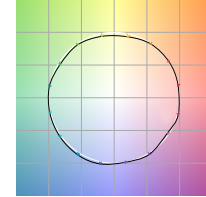
**CRI R values**



**TM30 C Values**

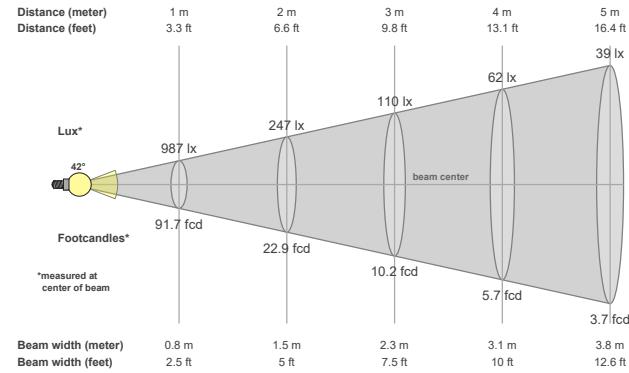


**Color vector graphics**



Color temperature	Color rendering index	Red component	Color fidelity	Color gamut	Color quality scale	Color coordinate cie 1931	Color coordinate cie 1931	Color coordinate	Color coordinate	Color deviation from black body
CCT	CRI	CRI R9	TM30 Rf	TM30 Rg	CQS	x	y	u	v	Δuv
3000 K	98.0	96.0	94.2	99.2	95.2	0.437	0.404	0.251	0.348	0.0013

**Beam details**



**Beam angles**

Beam angle 50%	Field angle 10%	Cutoff angle 2,5%
41.9°	66.4°	74.4°

**Beam intensities**

Peak intensity	Int. ratio in 120° cone	Int. ratio in 90° cone
987 cd	99.4%	99.2%

**Beam intensities from 1-20m**

1m	2m	3m	4m	5m	6m	7m	8m	9m	10m	11m	12m	13m	14m	15m	16m	17m	18m	19m	20m
3.3ft	6.6ft	9.8ft	13.1ft	16.4ft	19.7ft	23ft	26.2ft	29.5ft	32.8ft	36.1ft	39.4ft	42.7ft	45.9ft	49.2ft	52.5ft	55.8ft	59.1ft	62.3ft	65.6ft
987lx	247lx	110lx	62lx	39lx	27lx	20lx	15lx	12lx	10lx	8lx	7lx	6lx	5lx	4lx	4lx	3lx	3lx	3lx	2lx
91.7fcd	22.9fcd	10.2fcd	5.7fcd	3.7fcd	2.5fcd	1.9fcd	1.4fcd	1.1fcd	0.9fcd	0.8fcd	0.6fcd	0.5fcd	0.5fcd	0.4fcd	0.4fcd	0.3fcd	0.3fcd	0.3fcd	0.2fcd

The above information is for 3000K colour temperature, for specific module information please see LED spec located on our website

For information regarding other colour temperatures please use the following factors for lumen output and candelas:

2700K = 1