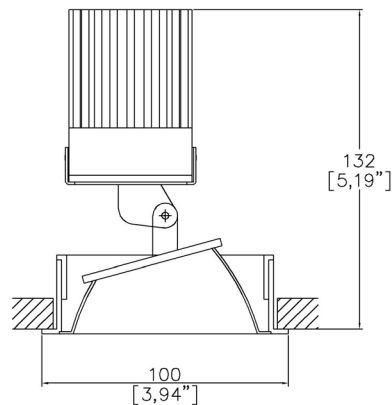


ProSpex 100 Accent



100mm (3.94") overall diameter. Available with standard trim kit or plaster-in kit for flush appearance. Family of matching products also available. Up to 35° tilt. Required depth height + 25mm[^]



103-LED

LED Source	LED51SS
CCT	3000K
Drive Current	500mA
Power inc Driver	6.75W
Beam Angle	7°
Delivered Lumens	369
Delivered Intensity cd	15521
Efficacy lm/w	55
Forward Volt	11.5V
CRI	≥90 CRI

Project Ref: _____

Location Ref: _____

Fixture Order Code: - - - -

Fixture	103-LED	Reflector100 Accent with LED51
Reflector Finish	PS SS CG BK WH	Polished Silver Satin Silver Champagne Gold Black White
Trim Finish	WH BK RAL	White Black Custom RAL Colour*
IP Rating	54	IP54
Emergency	E ED ES	Maintained 3hr Emergency Maintained 3hr DALI Self Test Maintained 3hr Self Test

LED Order Code: - - -

LED	LED51SS	LED51 SuperSpot
CCT	927 930 940	90 CRI 2700K 90 CRI 3000K 90 CRI 4000K
Beam	7	7°
Protocol	S A P D B	Non-Dim Analogue (0-10v) Phase DALI Bluetooth**



Honeycomb Louvre



Diffusing Lens



Frosted Lens



Heavy Spread Lens



Linear Spread Lens



Warm Tone

Accessories Order Code:

Louvre/Lens

- LL45 Honeycomb Louvre
- LLCC Warm Tone Lens
- LLUV UV Lens
- LLDF Diffusing Lens
- LLFR Frosted Lens
- LLLS Linear Spread Lens
- LLHS Heavy Spread Lens

Technical Details

*Custom RAL code must be specified. Custom RAL colours can increase prices and lead times

Dimming. Whilst Lucent can offer the majority of its luminaires with various dimming options, it remains the responsibility of the specifier/installer to check and ensure compatibility of any control equipment used. Additional cabling may be required depending on the dimming protocol specified.

**Bluetooth (wireless) is the communication method. The exact dimming protocol must be confirmed to allow the selection of suitable drivers or bluetooth devices.

^ Depth indicated is the minimum recess depth for the luminaire with a remote mounted LED driver. Installing a driver through either the luminaire cut-out or installation kit may require additional recess depth, please refer to the relevant luminaire installation instructions for further details. Data correct at time of publishing

First Fix Requirement. Luminaire comprised of fixture body with ceiling trim and installation kit, which is to be fitted into the ceiling once finished. Ensure correct alignment of the installation kit before final assembly (see luminaire installation instructions for details)

IP Rating. Tested from underside of the ceiling

It is the policy of Lucent Lighting to continually review and improve its products and therefore reserve the right to change any details of product or withdraw specifications without prior notice.

Luminaires designed to comply with EN60598 and all other standards.

This specification sheet superseded all previous versions.

All intellectual property rights pertaining to the product described above and to this document are owned by or licensed to Lucent Lighting Ltd.

We reserve the right to take whatever action is necessary to protect those intellectual property rights.

Please notify Lucent Lighting Ltd of any inaccuracies immediately. E&OE

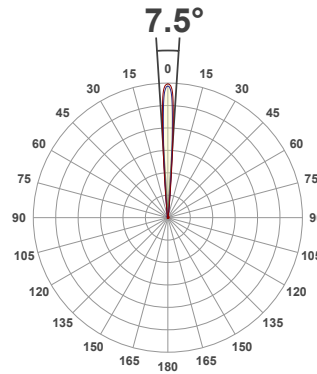
Light efficiency:



Light quality:



Color temperature:



Product name:

ProSpex100 Accent - LED51SS-30-7-500mA

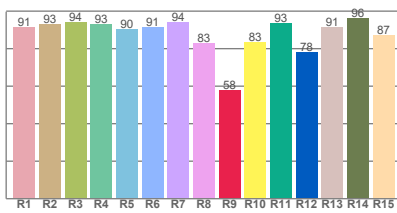
Item number:

103-LED - LED51SS-30-7-500mA

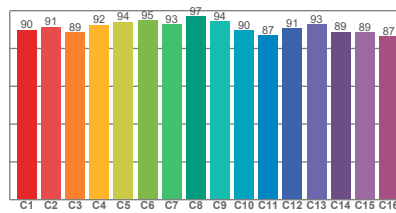
Delivered information for above fixture and LED combination.

Output: 369 Lumen Peak intensity: 15521 cd Power consumption: 6.7

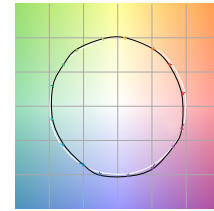
CRI R values



TM30 C Values

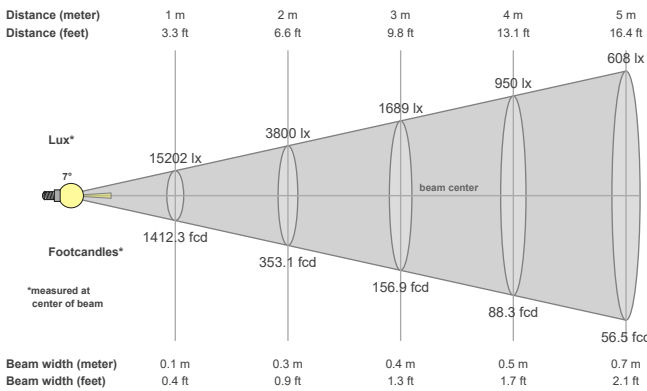


Color vector graphics



Color temperature	Color rendering index	Red component	Color fidelity	Color gamut	Color quality scale	Color coordinate cie 1931	Color coordinate cie 1931	Color coordinate	Color coordinate	Color deviation from black body
CCT	CRI	CRI R9	TM30 Rf	TM30 Rg	CQS	x	y	u	v	Δuv
3000 K	91.4	57.8	91.2	99.5	90.8	0.437	0.404	0.247	0.349	0.0030

Beam details



Beam angels

Beam angle 50%	Field angle 10%	Cutoff angle 2,5%
7.5°	12.8°	21°

Beam intensities

Peak intensity	Int. ratio in 120° cone	Int. ratio in 90° cone
15521 cd	99.3%	98.9%

Beam intensities from 1-20m

1m	2m	3m	4m	5m	6m	7m	8m	9m	10m	11m	12m	13m	14m	15m	16m	17m	18m	19m	20m
3.3ft	6.6ft	9.8ft	13.1ft	16.4ft	19.7ft	23ft	26.2ft	29.5ft	32.8ft	36.1ft	39.4ft	42.7ft	45.9ft	49.2ft	52.5ft	55.8ft	59.1ft	62.3ft	65.6ft
15202lx	3800lx	1689lx	950lx	608lx	422lx	310lx	238lx	188lx	152lx	126lx	106lx	90lx	78lx	68lx	59lx	53lx	47lx	42lx	38lx
1412.3fcd	353.1fcd	156.9fcd	88.3fcd	56.5fcd	39.2fcd	28.8fcd	22.1fcd	17.4fcd	14.1fcd	11.7fcd	9.8fcd	8.4fcd	7.2fcd	6.3fcd	5.5fcd	4.9fcd	4.4fcd	3.9fcd	3.5fcd

The above information is for 3000K colour temperature, for specific module information please see LED spec located on our website

For information regarding other colour temperatures please use the following factors for lumen output and candelas:

2700K = 0.9
4000K = 1.08