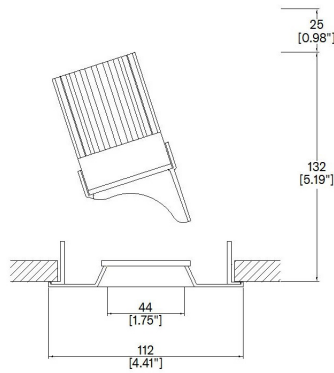


# Plus3.5 Bevel Accent



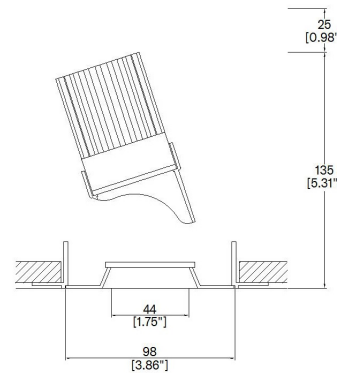
Plus provides high performance electronics and architectural aesthetics in round and square 3.5” and 5” trim. Plus products include adjustable, fixed and wallwash in a flanged or trimless installation kit. Adjustable can be provided with gear driven adjustment or manual adjustment. Available in various front plates (Conical, Bevel, Edge, Pyramidal and Square Bevel) Bevel and Square Bevel available with various color inserts. Tray, retrofit and housing installation methods (NIC, IC, AT, T24 and CCEA) Multiple configurations for equal spacing also available. Lucent modules available in a wide range of color temperatures, beam angles, intensities, and effects (Ambiance WarmDim and Dynamic Tuneable White). MR16 and GU10 LED lamp options available. TRIAC/Phase, 0-10v/1-10v, DMX and DALI/Digital dimming.



**A093+13-LED-TR**  
359° rotation. Up to 45° tilt.  
Cut-out 102mm (4.02”) Ø



**Installation kit for overlap flange**



**A093+13-LED-TL**  
359° rotation. Up to 45° tilt.  
Cut-out 102mm (4.02”) Ø



**Mud-in kit for seamless/trimless**

|                        |         |
|------------------------|---------|
| LED Source             | LED51SS |
| CCT                    | 3000K   |
| Drive Current          | 500mA   |
| Power inc Driver       | 6.75W   |
| Beam Angle             | 7°      |
| Delivered Lumens       | 402     |
| Delivered Intensity cd | 15139   |
| Efficacy lm/w          | 60      |
| Forward Volt           | 11.5V   |
| CRI                    | ≥90 CRI |

Project Ref: \_\_\_\_\_

Location Ref: \_\_\_\_\_

Specify fixture part number (All boxes must be filled in to correctly order)

|             |  |  |  |  |         |  |   |  |  |  |  |  |  |
|-------------|--|--|--|--|---------|--|---|--|--|--|--|--|--|
| A093+13-LED |  |  |  |  | LED5ISS |  | 7 |  |  |  |  |  |  |
|-------------|--|--|--|--|---------|--|---|--|--|--|--|--|--|

**Installation**

- TR Flange kit
- TL Mud-in kit

**Finish**

- WH White
- BK Black
- RAL Custom\*

**Location**

- XX Dry
- DP Damp
- WT Wet

**Ceiling Thickness**

- SC Standard Ceiling (1/2"-5/8"-3/4")
- C Custom

**LED Type**

- LED5ISS LED5ISS (90CRI)

**CCT**

- 27 2700K
- 30 3000K
- 35 3500K
- 40 4000K

**Beam Angles**

- 7 7

**Housing/Tray**

- LMT-13-NIC Mounting Tray Non-Insulated ceilings
- LH-6.75-NIC Housing 6.75" Non-Insulated ceilings
- LH-8.50-AT/IC Housing 8.50" Insulated/Air-tight ceilings and Chicago Plenum

**Mounting Hardware**

- 09 9" to 15.25" - Adjustable Bar Hanger Lengths
- 14 14" to 24" - Adjustable Bar Hanger Lengths
- 36 28" to 36" - Adjustable Bar Hanger Lengths
- BB Butterfly Bracket
- CB Caterpillar Bracket

**Supply Voltage**

- 120 120V
- 277 277V

**Dimming Protocol**

- S Non-Dimmable
- P TRIAC/Phase (120V ONLY) (25-10% Minimum Dimming)\*\*\*
- LP Lutron Forward Phase 2-Wire (1% Dimming) (120V ONLY)
- ESS EcoSystem 5-Series (5% Dimming)
- LHE EcoSystem Hi-Lume Fade to Black (1% Dimming)
- LAE Lutron 3-Wire Hi-Lume (1% Dimming)
- LHP Lutron Hi-Lume Premier EcoSystem (0.1% Dimming)
- A 0-10V (15-5% Minimum Dimming)\*\*\*
- ESD EldoLED Solo DALI2 (0.1% Dimming)
- EED EldoLED Eco DALI2 (1% Dimming)
- ESA EldoLED Solo 0-10V/1-10V (0.1% Dimming)
- EEA EldoLED Eco 0-10V/1-10V (1% Dimming)
- B Bluetooth\*\*

**Emergency**

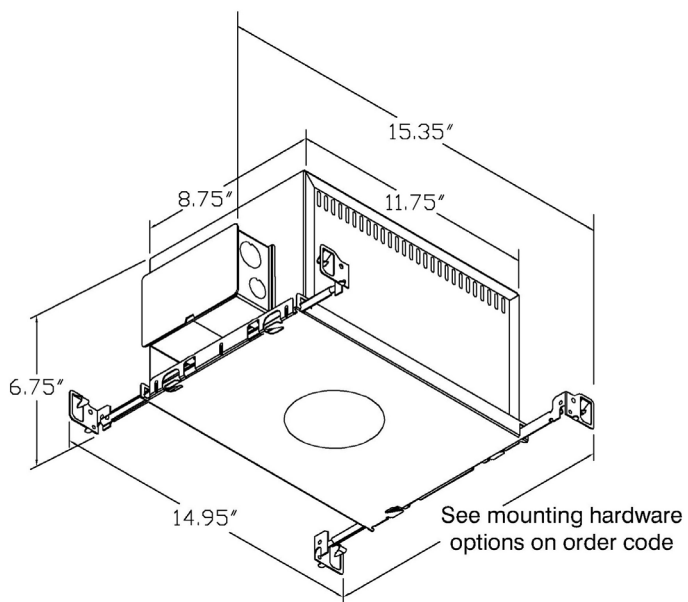
- E 3hr Emergency
- ES 3hr Self Test

**Louvre/Lens**

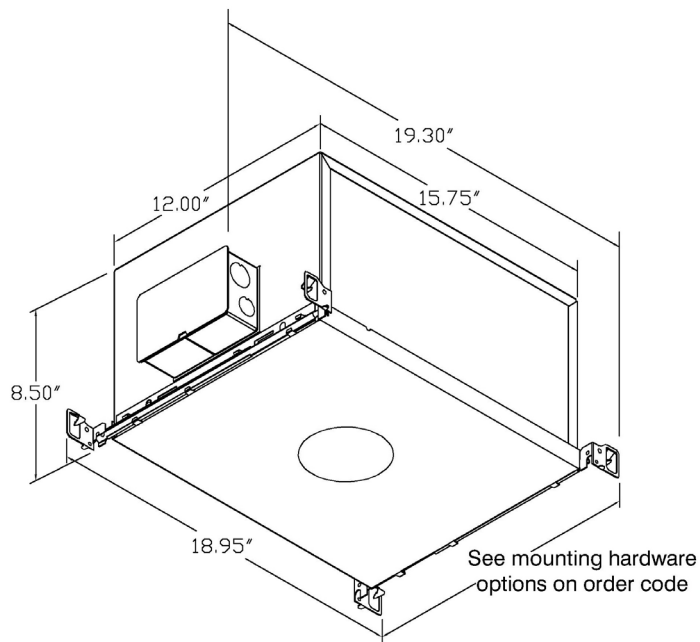
- XX Not required
- LL45 Honeycomb
- LLCC Warm Tone
- LLUV UV
- LLDF Solite/Diffusing
- LLFR Frosted Lens
- LLLS Linear Spread
- LLHS Heavy Spread

\*Refer to Technical Details for more information

Housing dimensions

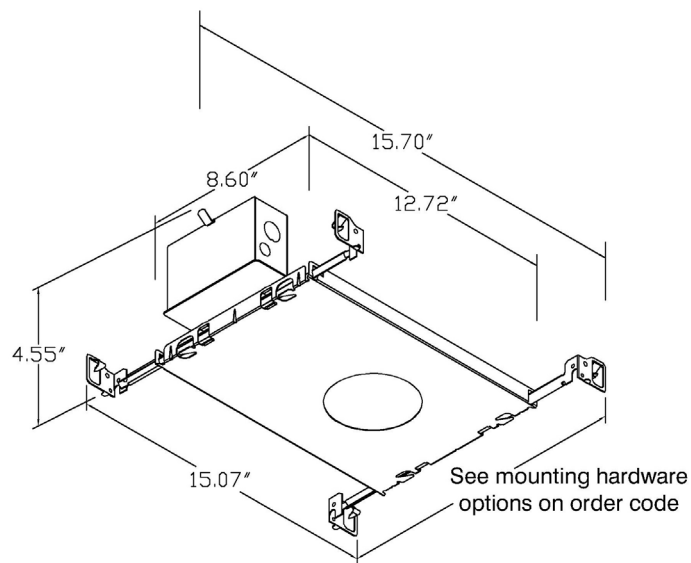


LH-6.75  
Non-insulated ceilings



LH-8.50  
Insulated/air-tight ceilings and  
Chicago Plenum

Tray dimensions



LMT-13  
Non-insulated ceilings



**Honeycomb Louvre (LL45)**



**Solite/Diffusing Lens (LLDF)**



**Frosted Lens (LLFR)**



**Heavy Spread Lens (LLHS)**



**Linear Spread Lens (LLLS)**



**Warm Tone (LLCC)**

---

## Technical Details

\*Custom color requires a paint chip or RAL code and may increase price and lead-time

It is the responsibility of the specifier/integrator/installer to check and ensure compatibility of any control equipment used. Additional cabling may be required depending on the dimming protocol specified.

\*\*Bluetooth (wireless) is a communication protocol. The exact dimming protocol must be confirmed to allow the selection of suitable drivers or Bluetooth devices.

\*\*\*Non specific driver type, dimming performance depending on exact driver used. Contact Lucent Lighting for more information.

^ Depth indicated is the minimum recess depth for the luminaire with a remote mounted LED driver. Installing a driver through either the luminaire cut-out or installation kit may require additional recess depth, please refer to the relevant installation instructions prior to purchase.

First Fix Requirement. Luminaire comprised of fixture body with ceiling trim and installation kit, which is to be fitted into the ceiling once finished. Ensure correct alignment of the installation kit before final assembly (see luminaire installation instructions for details)

Location. Tested from underside of the ceiling.

Data correct at time of publishing. It is the policy of Lucent Lighting to continually review and improve its products and therefore reserve the right to change any details of product or withdraw specifications without prior notice.

This specification sheet supersedes all previous versions.

All intellectual property rights pertaining to the product described above and to this document are owned by or licensed to Lucent Lighting, Incorporated. Lucent Lighting reserves the right to take whatever action is necessary to protect its intellectual property, patents and trademarks

Please notify Lucent Lighting Inc. inaccuracies. E&OE

---



Light efficiency:

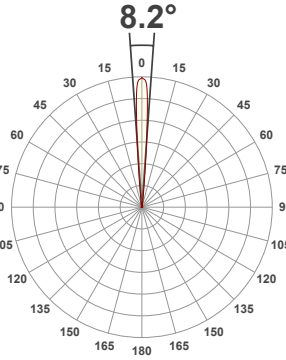
**60 Lumen/Watt**

Light quality:

**CRI: 91.7**

Color temperature:

**3000 K**

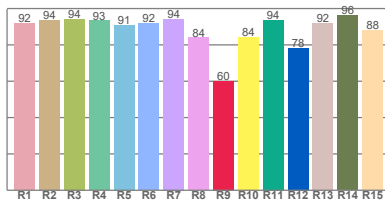


Product name:  
**PlusBevel Accent - LED51  
Super Spot, 3000K, 7°, 500mA**  
Item number:  
**090+13-LED51SS-30-7-500mA**

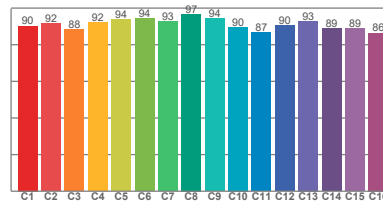
Delivered information for above  
fixture and LED combination.

Output: 402 Lumen Peak intensity: 15139 cd Power consumption: 6.7

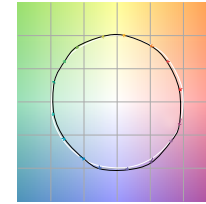
CRI R values



TM30 C Values

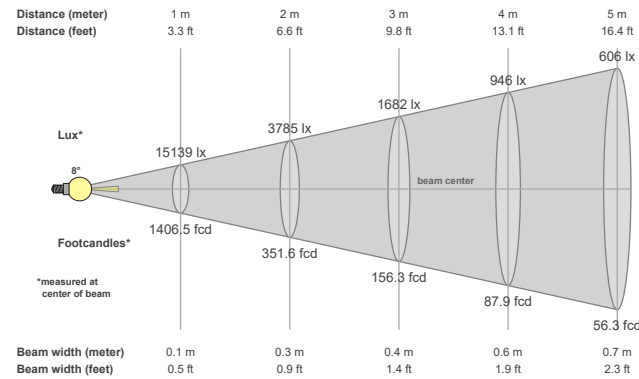


Color vector graphics



| Color temperature | Color rendering index | Red component | Color fidelity | Color gamut | Color quality scale | Color coordinate cie 1931 | Color coordinate cie 1931 | Color coordinate | Color coordinate | Color deviation from black body |
|-------------------|-----------------------|---------------|----------------|-------------|---------------------|---------------------------|---------------------------|------------------|------------------|---------------------------------|
| CCT               | CRI                   | CRI R9        | TM30 Rf        | TM30 Rg     | CQS                 | x                         | y                         | u                | v                | Δuv                             |
| 3000 K            | 91.7                  | 60.0          | 91.1           | 99.9        | 90.9                | 0.437                     | 0.404                     | 0.247            | 0.348            | 0.0023                          |

### Beam details



### Beam angles

| Beam angle 50% | Field angle 10% | Cutoff angle 2,5% |
|----------------|-----------------|-------------------|
| 8.2°           | 13.4°           | 21.6°             |

### Beam intensities

| Peak intensity | Int. ratio in 120° cone | Int. ratio in 90° cone |
|----------------|-------------------------|------------------------|
| 15139 cd       | 99.2%                   | 98.9%                  |

### Beam intensities from 1-20m

| 1m        | 2m       | 3m       | 4m      | 5m      | 6m      | 7m      | 8m     | 9m      | 10m     | 11m     | 12m    | 13m    | 14m    | 15m    | 16m    | 17m    | 18m    | 19m    | 20m    |
|-----------|----------|----------|---------|---------|---------|---------|--------|---------|---------|---------|--------|--------|--------|--------|--------|--------|--------|--------|--------|
| 3.3ft     | 6.6ft    | 9.8ft    | 13.1ft  | 16.4ft  | 19.7ft  | 23ft    | 26.2ft | 29.5ft  | 32.8ft  | 36.1ft  | 39.4ft | 42.7ft | 45.9ft | 49.2ft | 52.5ft | 55.8ft | 59.1ft | 62.3ft | 65.6ft |
| 15139lx   | 3785lx   | 1682lx   | 946lx   | 606lx   | 421lx   | 309lx   | 237lx  | 187lx   | 151lx   | 125lx   | 105lx  | 90lx   | 77lx   | 67lx   | 59lx   | 52lx   | 47lx   | 42lx   | 38lx   |
| 1406.5fcd | 351.6fcd | 156.3fcd | 87.9fcd | 56.3fcd | 39.1fcd | 28.7fcd | 22fcd  | 17.4fcd | 14.1fcd | 11.6fcd | 9.8fcd | 8.3fcd | 7.2fcd | 6.3fcd | 5.5fcd | 4.9fcd | 4.3fcd | 3.9fcd | 3.5fcd |

The above information is for 3000K colour temperature, for specific module information please see LED spec located on our website

For information regarding other colour temperatures please use the following factors for lumen output and candelas:

2700K = 0.9  
4000K = 1.08