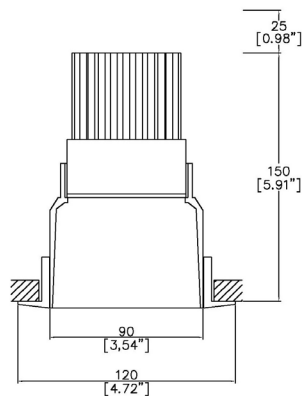


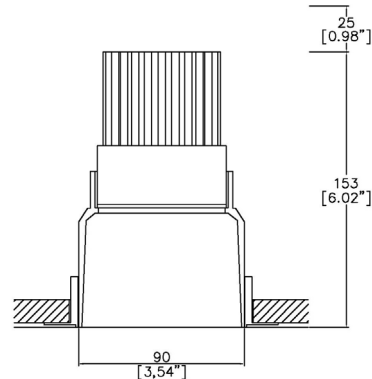
ProSpex Soft90 Fixed



120mm (4.72") overall trim diameter. 90mm (3.54") overall trimless diameter. Available with standard trim kit or plaster-in kit for flush appearance. Family of matching products also available. Required depth height + 25mm^



090-LED-TR
Cut-out 105mm Ø



090-LED-TL
Cut-out 102mm Ø

LED Source	LED71/U	LED71/U	LED71/U
CCT	3000K	3000K	3000K
Drive Current	700mA	700mA	700mA
Power inc Driver	27W	27W	27W
Beam Angle	12°	19°	34°
Delivered Lumens	1519	1330	1444
Delivered Intensisty cd	20823	10074	4822
Efficacy lm/w	56	49	53
Forward Volt	33V	33V	33V
CRI	≥98 CRI	≥98 CRI	≥98 CRI

Project Ref: _____

Location Ref: _____

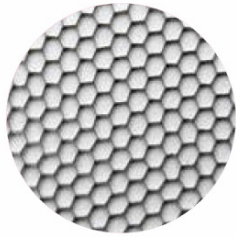
Fixture Order Code: - - - - -

Fixture 090-LED	Soft90 Fixed with LED71
Installation TR TL	Trim Trimless
Body Finish WH BK RAL	White Black Custom RAL Colour*
Trim Finish (Leave blank if trimless) WH BK RAL	White Black Custom RAL Colour*
IP Rating 44	IP44
Emergency E ED ES	Maintained 3hr Emergency Maintained 3hr DALI Self Test Maintained 3hr Self Test



LED Order Code: - - -

LED LED71/U	LED70 ONE ULTRA
CCT 927 930	90 CRI 2700K 90 CRI 3000K
Beam 12 19 34	12° 19° 34°
Protocol S A P D B	Non-Dim Analogue (0-10v) Phase DALI Bluetooth**



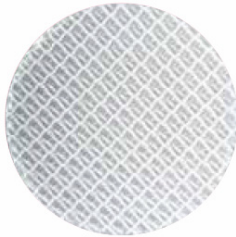
Honeycomb Louvre



Diffusing Lens



Frosted Lens



Heavy Spread Lens



Linear Spread Lens



Warm Tone

Accessories Order Code:

Louvre/Lens

- MD45 Honeycomb Louvre
- MDCC Warm Tone Lens
- MDUV UV Lens
- MDDF Diffusing Lens
- MDFR Frosted Lens
- MDLS Linear Spread Lens
- MDHS Heavy Spread Lens

Technical Details

*Custom RAL code must be specified. Custom RAL colours can increase prices and lead times

Dimming. Whilst Lucent can offer the majority of its luminaires with various dimming options, it remains the responsibility of the specifier/installer to check and ensure compatibility of any control equipment used. Additional cabling may be required depending on the dimming protocol specified.

**Bluetooth (wireless) is the communication method. The exact dimming protocol must be confirmed to allow the selection of suitable drivers or bluetooth devices.

^ Depth indicated is the minimum recess depth for the luminaire with a remote mounted LED driver. Installing a driver through either the luminaire cut-out or installation kit may require additional recess depth, please refer to the relevant luminaire installation instructions for further details. Data correct at time of publishing

First Fix Requirement. Luminaire comprised of fixture body with ceiling trim and installation kit, which is to be fitted into the ceiling once finished. Ensure correct alignment of the installation kit before final assembly (see luminaire installation instructions for details)

IP Rating. Tested from underside of the ceiling

It is the policy of Lucent Lighting to continually review and improve its products and therefore reserve the right to change any details of product or withdraw specifications without prior notice.

Luminaires designed to comply with EN60598 and all other standards.

This specification sheet superseded all previous versions.

All intellectual property rights pertaining to the product described above and to this document are owned by or licensed to Lucent Lighting Ltd.

We reserve the right to take whatever action is necessary to protect those intellectual property rights.

Please notify Lucent Lighting Ltd of any inaccuracies immediately. E&OE

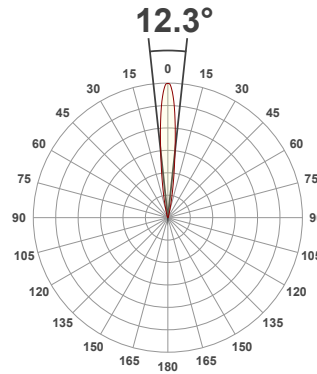
Light efficiency:



Light quality:



Color temperature:



Product name:

090-LED - LED71_U-30-12-700mA

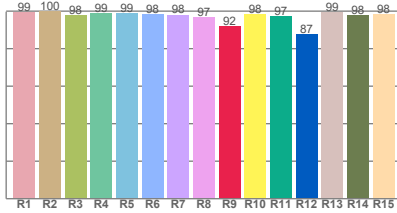
Item number:

Soft90 Fixed - LED71/U-30-12-700mA

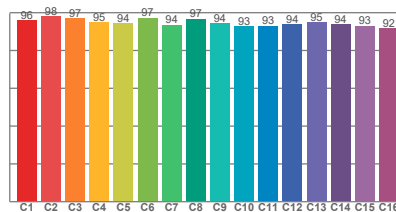
Delivered information for above fixture and LED combination.

Output: 1519 Lumen Peak intensity: 20823 cd Power consumption: 27.0

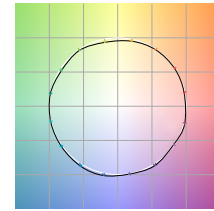
CRI R values



TM30 C Values

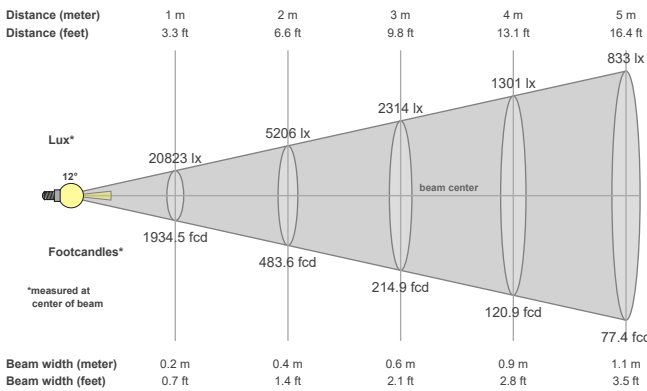


Color vector graphics



Color temperature	Color rendering index	Red component	Color fidelity	Color gamut	Color quality scale	Color coordinate cie 1931	Color coordinate cie 1931	Color coordinate	Color coordinate	Color deviation from black body
CCT	CRI	CRI R9	TM30 Rf	TM30 Rg	CQS	x	y	u	v	Δuv
3000 K	98.4	92.1	94.9	99.4	95.9	0.437	0.404	0.248	0.348	0.0010

Beam details



Beam angels

Beam angle 50%	Field angle 10%	Cutoff angle 2,5%
12.3°	25.2°	37.4°

Beam intensities

Peak intensity	Int. ratio in 120° cone	Int. ratio in 90° cone
20823 cd	98.7%	96.8%

Beam intensities from 1-20m

1m	2m	3m	4m	5m	6m	7m	8m	9m	10m	11m	12m	13m	14m	15m	16m	17m	18m	19m	20m
3.3ft	6.6ft	9.8ft	13.1ft	16.4ft	19.7ft	23ft	26.2ft	29.5ft	32.8ft	36.1ft	39.4ft	42.7ft	45.9ft	49.2ft	52.5ft	55.8ft	59.1ft	62.3ft	65.6ft
20823lx	5206lx	2314lx	1301lx	833lx	578lx	425lx	325lx	257lx	208lx	172lx	145lx	123lx	106lx	93lx	81lx	72lx	64lx	58lx	52lx
1934.5fcd	483.6fcd	214.9fcd	120.9fcd	77.4fcd	53.7fcd	39.5fcd	30.2fcd	23.9fcd	19.3fcd	16fcd	13.4fcd	11.4fcd	9.9fcd	8.6fcd	7.6fcd	6.7fcd	6fcd	5.4fcd	4.8fcd

The above information is for 3000K colour temperature, for specific module information please see LED spec located on our website

For information regarding other colour temperatures please use the following factors for lumen output and candelas:

2700K = 1

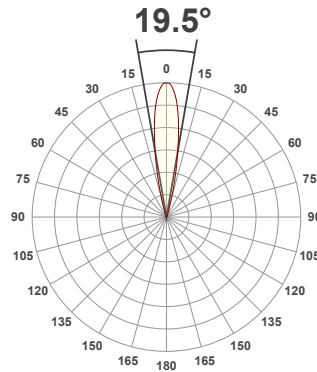
Light efficiency:



Light quality:



Color temperature:



Product name:

090-LED - LED71_U-30-19-700mA

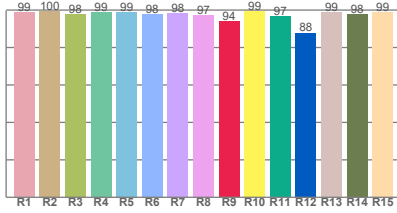
Item number:

**Soft90 Fixed - LED71/
U-30-19-700mA**

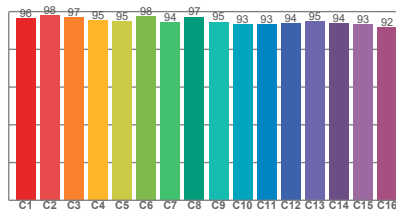
**Delivered information for above
fixture and LED combination.**

Output: 1330 Lumen Peak intensity: 10074 cd Power consumption: 27.0

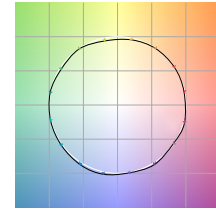
CRI R values



TM30 C Values

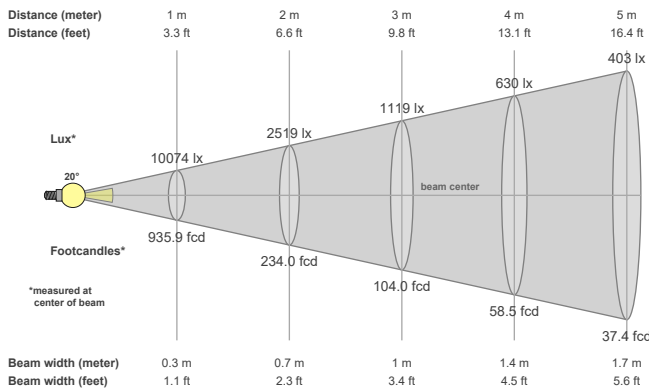


Color vector graphics



Color temperature	Color rendering index	Red component	Color fidelity	Color gamut	Color quality scale	Color coordinate cie 1931	Color coordinate cie 1931	Color coordinate	Color coordinate	Color deviation from black body
CCT	CRI	CRI R9	TM30 Rf	TM30 Rg	CQS	x	y	u	v	Δuv
3000 K	98.4	93.9	95.1	99.9	96.2	0.437	0.404	0.249	0.347	0.0003

Beam details



Beam angles

Beam angle 50%	Field angle 10%	Cutoff angle 2,5%
19.5°	32°	43.6°

Beam intensities

Peak intensity	Int. ratio in 120° cone	Int. ratio in 90° cone
10074 cd	98.3%	96.2%

Beam intensities from 1-20m

1m	2m	3m	4m	5m	6m	7m	8m	9m	10m	11m	12m	13m	14m	15m	16m	17m	18m	19m	20m
3.3ft	6.6ft	9.8ft	13.1ft	16.4ft	19.7ft	23ft	26.2ft	29.5ft	32.8ft	36.1ft	39.4ft	42.7ft	45.9ft	49.2ft	52.5ft	55.8ft	59.1ft	62.3ft	65.6ft
10074lx	2519lx	1119lx	630lx	403lx	280lx	206lx	157lx	124lx	101lx	83lx	70lx	60lx	51lx	45lx	39lx	35lx	31lx	28lx	25lx
935.9fcd	234fcd	104fcd	58.5fcd	37.4fcd	26fcd	19.1fcd	14.6fcd	11.6fcd	9.4fcd	7.7fcd	6.5fcd	5.5fcd	4.8fcd	4.2fcd	3.7fcd	3.2fcd	2.9fcd	2.6fcd	2.3fcd

The above information is for 3000K colour temperature, for specific module information please see LED spec located on our website

For information regarding other colour temperatures please use the following factors for lumen output and candelas:

2700K = 1

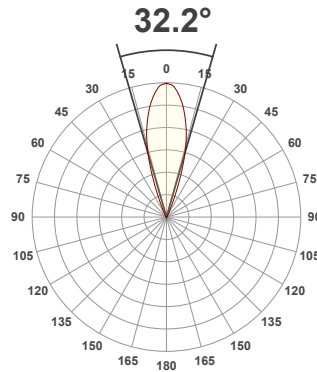
Light efficiency:



Light quality:



Color temperature:



Product name:

090-LED - LED71_U-30-34-700mA

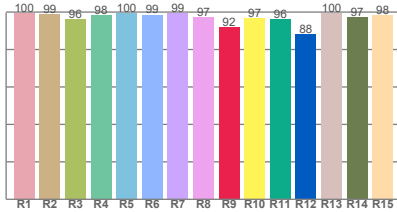
Item number:

**Soft90 Fixed - LED71/
U-30-34-700mA**

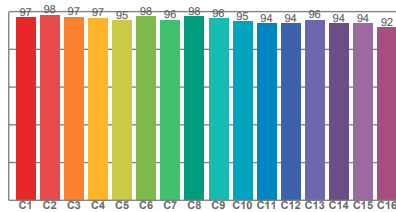
**Delivered information for above
fixture and LED combination.**

Output: 1444 Lumen Peak intensity: 4822 cd Power consumption: 27.0

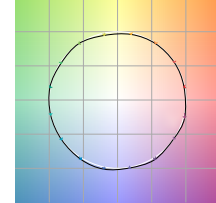
CRI R values



TM30 C Values

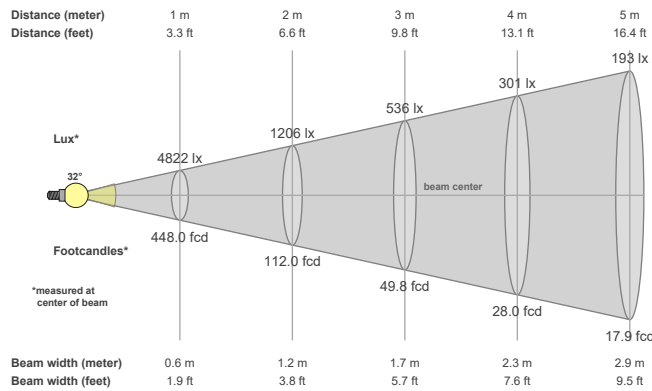


Color vector graphics



Color temperature	Color rendering index	Red component	Color fidelity	Color gamut	Color quality scale	Color coordinate cie 1931	Color coordinate cie 1931	Color coordinate	Color coordinate	Color deviation from black body
CCT	CRI	CRI R9	TM30 Rf	TM30 Rg	CQS	x	y	u	v	Δuv
3000 K	98.5	91.9	95.8	100.2	96.1	0.437	0.404	0.248	0.348	0.0016

Beam details



Beam angles

Beam angle 50%	Field angle 10%	Cutoff angle 2,5%
32.2°	47.7°	61.1°

Beam intensities

Peak intensity	Int. ratio in 120° cone	Int. ratio in 90° cone
4822 cd	98.4%	95.9%

Beam intensities from 1-20m

1m	2m	3m	4m	5m	6m	7m	8m	9m	10m	11m	12m	13m	14m	15m	16m	17m	18m	19m	20m
3.3ft	6.6ft	9.8ft	13.1ft	16.4ft	19.7ft	23ft	26.2ft	29.5ft	32.8ft	36.1ft	39.4ft	42.7ft	45.9ft	49.2ft	52.5ft	55.8ft	59.1ft	62.3ft	65.6ft
4822lx	1206lx	536lx	301lx	193lx	134lx	98lx	75lx	60lx	48lx	40lx	33lx	29lx	25lx	21lx	19lx	17lx	15lx	13lx	12lx
448fcd	112fcd	49.8fcd	28fcd	17.9fcd	12.4fcd	9.1fcd	7fcd	5.5fcd	4.5fcd	3.7fcd	3.1fcd	2.7fcd	2.3fcd	2fcd	1.8fcd	1.6fcd	1.4fcd	1.2fcd	1.1fcd

The above information is for 3000K colour temperature, for specific module information please see LED spec located on our website

For information regarding other colour temperatures please use the following factors for lumen output and candelas:

2700K = 1