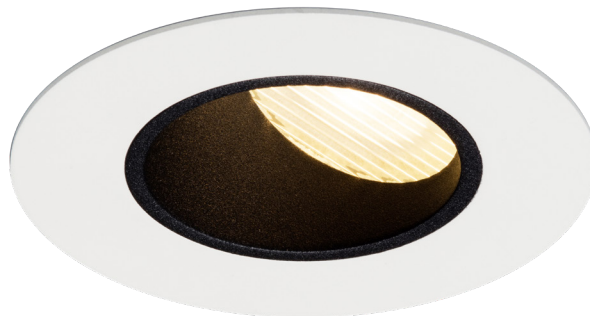


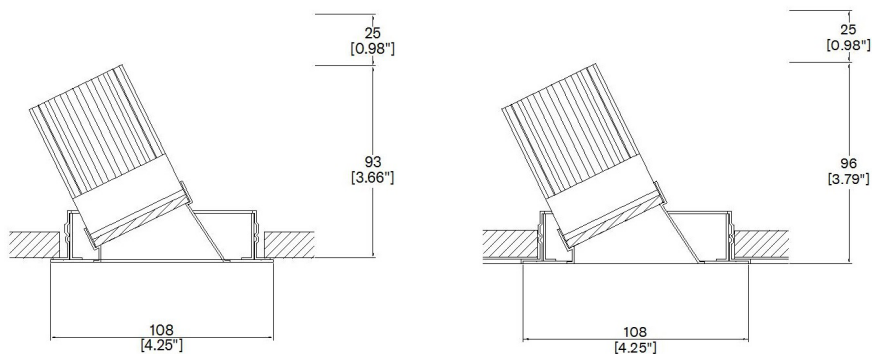
ProSpex Duo Wallwash

TM65.2 11kgCO2e

TM66 2.3 CEAM



108mm (4.25") overall diameter. Available with standard trim kit or plaster-in kit for flush appearance. Family of matching products also available. Required depth height + 25mm[^]



31600-LED-WW + 3000-PBZ
Cut-out 101mm (3.97") Ø
Trim kit

31600-LED-WW + 3000-PCZ
Cut-out 96mm (3.78") Ø
Seamless flush appearance

| | |
|-------------------------|---------|
| LED Source | LED51/2 |
| CCT | 3000K |
| Drive Current | 350mA |
| Power inc Driver | 13.8W |
| Beam Angle | 38° |
| Delivered Lumens | 632 |
| Delivered Intensisty cd | 948 |
| Efficacy lm/w | 46 |
| Forward Volt | 36V |
| CRI | ≥90 CRI |

Apply these factors to 3000K for lumen output of other CCTs: 2200K x 0.65 / 2400K x 0.69 / 2700K x 0.98 / 4000K x 1.02.

Project Ref: _____

Location Ref: _____

Fixture Order Code: - -

Fixture
31600-LED-WW Duo Wallwash with LED51

Finish

| | |
|------|--------------------|
| WH | White RAL 9010 |
| BK | Black RAL 9005 |
| RAL* | Custom RAL Colour* |
| ABR1 | Antique Brass |
| ABZ1 | Antique Bronze |
| PCH1 | Polished Chrome |
| PNK1 | Polished Nickel |
| PBR1 | Polished Brass |

IP Rating
54 IP54

Installation Order Code:

Installation

| | |
|----------|---|
| 3000-PBZ | Trim kit for trimmed appearance |
| 3000-PCZ | Plaster-kit for seamless flush appearance |



LED Order Code: - -

LED
LED51/2 LED50 ONE GEN2

CCT

| | |
|-------|-----------------|
| 22*** | 90 CRI 2200K*** |
| 24*** | 90 CRI 2400K*** |
| 27 | 90 CRI 2700K |
| 30 | 90 CRI 3000K |
| 40*** | 90 CRI 4000K*** |

Beam
38 38°

***contact Lucent for availability

Driver Options:

Protocol

| | |
|---|------------------|
| S | Non-Dim |
| A | Analogue (0-10v) |
| P | Phase |
| D | DALI |
| B | Bluetooth** |

Emergency Options:

Emergency

| | |
|----|-------------------------------|
| E | Maintained 3hr Emergency |
| ED | Maintained 3hr DALI Self Test |
| ES | Maintained 3hr Self Test |

Finish selection



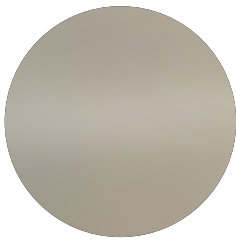
Antique Brass



Antique Bronze



Polished Brass

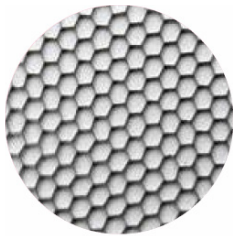


Polished Nickel



Polished Chrome

Accessories



Honeycomb Louvre

Accessories Order Code:

Louvre/Lens

- LL45 Honeycomb Louvre
- LLCC Warm Tone Lens
- LLUV UV Lens

Technical Details

*Custom RAL code must be specified. Custom RAL colours can increase prices and lead times

Dimming. Whilst Lucent can offer the majority of its luminaires with various dimming options, it remains the responsibility of the specifier/installer to check and ensure compatibility of any control equipment used. Additional cabling may be required depending on the dimming protocol specified.

**Bluetooth (wireless) is the communication method. The exact dimming protocol must be confirmed to allow the selection of suitable drivers or bluetooth devices.

^ Depth indicated is the minimum recess depth for the luminaire with a remote mounted LED driver. Installing a driver through either the luminaire cut-out or installation kit may require additional recess depth, please refer to the relevant luminaire installation instructions for further details. Data correct at time of publishing

First Fix Requirement. Luminaire comprised of fixture body with ceiling trim and installation kit, which is to be fitted into the ceiling once finished. Ensure correct alignment of the installation kit before final assembly (see luminaire installation instructions for details)

IP Rating. Tested from underside of the ceiling

Note that the picture of the finishes provided is for illustrative purposes only. The finishes may vary in colour, texture and appearance. Contact Lucent lighting Ltd for more information.

It is the policy of Lucent Lighting to continually review and improve its products and therefore reserve the right to change any details of product or withdraw specifications without prior notice.

Luminaires designed to comply with EN60598 and all other standards.

This specification sheet supersedes all previous versions.

All intellectual property rights pertaining to the product described above and to this document are owned by or licensed to Lucent Lighting Ltd.

We reserve the right to take whatever action is necessary to protect those intellectual property rights.

Please notify Lucent Lighting Ltd of any inaccuracies immediately. E&OE