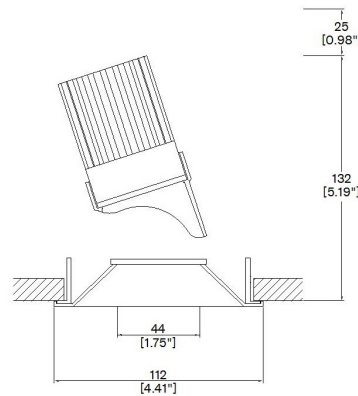


ProSpex Plus Conical Non-Locking Accent Trim



112mm (4.41") overall trim diameter. Manual adjustment tilt and rotation. 360° rotation. Up to 45° tilt. Available with standard trim kit or plaster-in kit for flush appearance. Family of matching products also available. Required depth height + 25mm[^]



093+NL-LED-TR
Cut-out 102mm Ø

LED Source	LED51/2	LED51/2	LED51/2
CCT	3000K	3000K	3000K
Drive Current	350mA	350mA	350mA
Power inc Driver	13.6W	13.6W	13.6W
Beam Angle	12°	24°	38°
Delivered Lumens	659	815	888
Delivered Intensisty cd	9119	4340	2552
Efficacy lm/w	48	60	65
Forward Volt	36V	36V	36V
CRI	≥90 CRI	≥90 CRI	≥90 CRI

Project Ref: _____

Location Ref: _____

Fixture Order Code: 093+NL-LED-TR - - -

Fixture
093+NL-LED-TR Plus Conical Non-Locking Accent Trim with LED51

Finish
WH White
BK Black
BK-WH Black inner, White trim (as shown below)
RAL Custom RAL Colour*

IP Rating
44 IP44

Emergency
E Maintained 3hr Emergency
ED Maintained 3hr DALI Self Test
ES Maintained 3hr Self Test



LED Order Code: LED51/2 - - -

LED
LED51/2 LED50 ONE GEN2

CCT
927 90 CRI 2700K
930 90 CRI 3000K
940 90 CRI 4000K

Beam
12 12°
24 24°
38 38°

Protocol
S Non-Dim
A Analogue (0-10v)
P Phase
D DALI
B Bluetooth**



Honeycomb Louvre



Diffusing Lens



Frosted Lens



Heavy Spread Lens



Linear Spread Lens



Warm Tone

Accessories Order Code:

Louvre/Lens

- LL45 Honeycomb Louvre
- LLCC Warm Tone Lens
- LLUV UV Lens
- LLDF Diffusing Lens
- LLFR Frosted Lens
- LLLS Linear Spread Lens
- LLHS Heavy Spread Lens

Technical Details

*Custom RAL code must be specified. Custom RAL colours can increase prices and lead times

Dimming. Whilst Lucent can offer the majority of its luminaires with various dimming options, it remains the responsibility of the specifier/installer to check and ensure compatibility of any control equipment used. Additional cabling may be required depending on the dimming protocol specified.

**Bluetooth (wireless) is the communication method. The exact dimming protocol must be confirmed to allow the selection of suitable drivers or bluetooth devices.

^ Depth indicated is the minimum recess depth for the luminaire with a remote mounted LED driver. Installing a driver through either the luminaire cut-out or installation kit may require additional recess depth, please refer to the relevant luminaire installation instructions for further details. Data correct at time of publishing

First Fix Requirement. Luminaire comprised of fixture body with ceiling trim and installation kit, which is to be fitted into the ceiling once finished. Ensure correct alignment of the installation kit before final assembly (see luminaire installation instructions for details)

IP Rating. Tested from underside of the ceiling

It is the policy of Lucent Lighting to continually review and improve its products and therefore reserve the right to change any details of product or withdraw specifications without prior notice.

Luminaires designed to comply with EN60598 and all other standards.

This specification sheet superseded all previous versions.

All intellectual property rights pertaining to the product described above and to this document are owned by or licensed to Lucent Lighting Ltd.

We reserve the right to take whatever action is necessary to protect those intellectual property rights.

Please notify Lucent Lighting Ltd of any inaccuracies immediately. E&OE

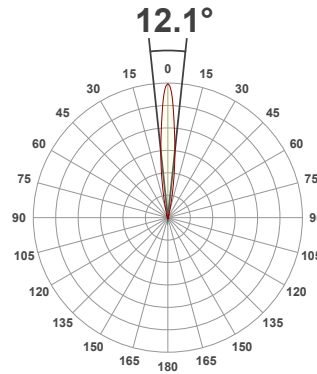
Light efficiency:



Light quality:



Color temperature:



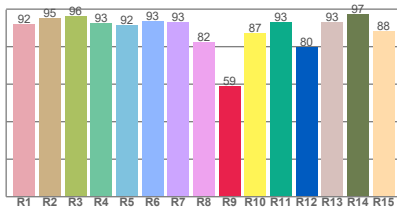
Product name:

Plus Conical Non-Locking - LED51 GEN2, 3000K, 12°, 350mA
Item number:
093+NL - LED51/2-30-12-350mA

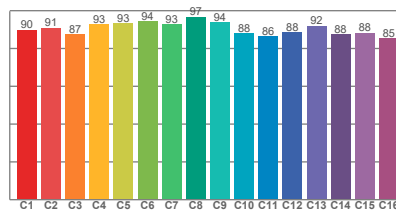
Delivered information for above fixture and LED combination.

Output: 659 Lumen Peak intensity: 9119 cd Power consumption: 13.6

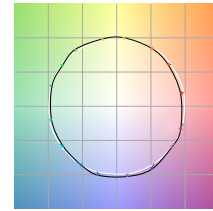
CRI R values



TM30 C Values

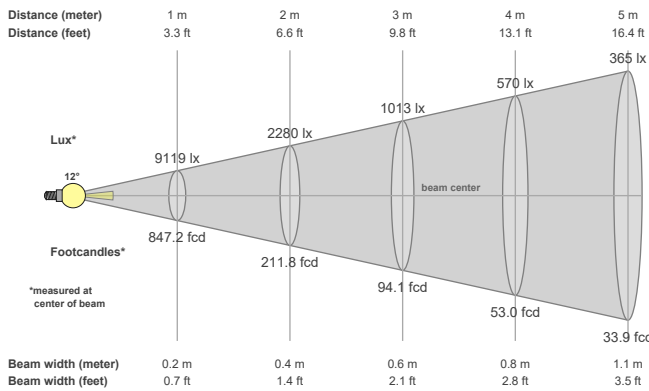


Color vector graphics



Color temperature	Color rendering index	Red component	Color fidelity	Color gamut	Color quality scale	Color coordinate cie 1931	Color coordinate cie 1931	Color coordinate	Color coordinate	Color deviation from black body
CCT	CRI	CRI R9	TM30 Rf	TM30 Rg	CQS	x	y	u	v	Δuv
3000 K	92.0	58.7	90.6	99.8	90.4	0.437	0.404	0.249	0.347	0.0002

Beam details



Beam angles

Beam angle 50%	Field angle 10%	Cutoff angle 2,5%
12.1°	25.5°	39°

Beam intensities

Peak intensity	Int. ratio in 120° cone	Int. ratio in 90° cone
9119 cd	99.5%	99.1%

Beam intensities from 1-20m

1m	2m	3m	4m	5m	6m	7m	8m	9m	10m	11m	12m	13m	14m	15m	16m	17m	18m	19m	20m
3.3ft	6.6ft	9.8ft	13.1ft	16.4ft	19.7ft	23ft	26.2ft	29.5ft	32.8ft	36.1ft	39.4ft	42.7ft	45.9ft	49.2ft	52.5ft	55.8ft	59.1ft	62.3ft	65.6ft
9119lx	2280lx	1013lx	570lx	365lx	253lx	186lx	142lx	113lx	91lx	75lx	63lx	54lx	47lx	41lx	36lx	32lx	28lx	25lx	23lx
847.2fcd	211.8fcd	94.1fcd	53fcd	33.9fcd	23.5fcd	17.3fcd	13.2fcd	10.5fcd	8.5fcd	7fcd	5.9fcd	5fcd	4.3fcd	3.8fcd	3.3fcd	2.9fcd	2.6fcd	2.3fcd	2.1fcd

The above information is for 3000K colour temperature, for specific module information please see LED spec located on our website

For information regarding other colour temperatures please use the following factors for lumen output and candelas:

2700K = 1
 4000K = 1.084

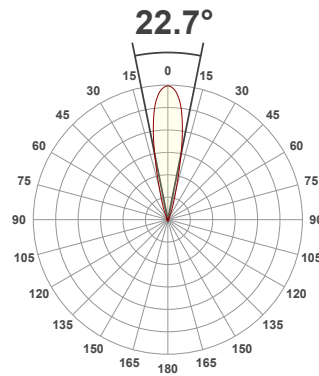
Light efficiency:



Light quality:



Color temperature:



Product name:

Plus Conical Fixed - LED51 GEN2, 3000K, 24°, 350mA

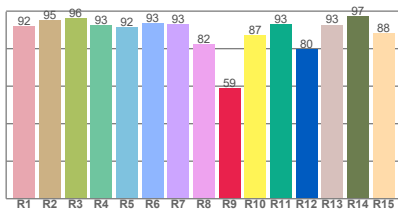
Item number:

LED51/2-30-38-350mA

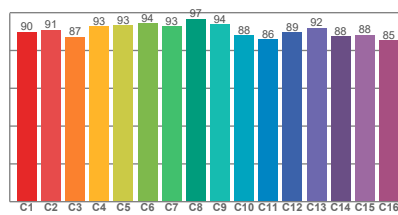
Delivered information for above fixture and LED combination.

Output: 767 Lumen Peak intensity: 4208 cd Power consumption: 13.6

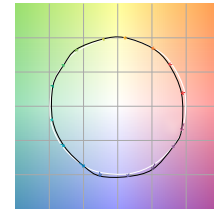
CRI R values



TM30 C Values

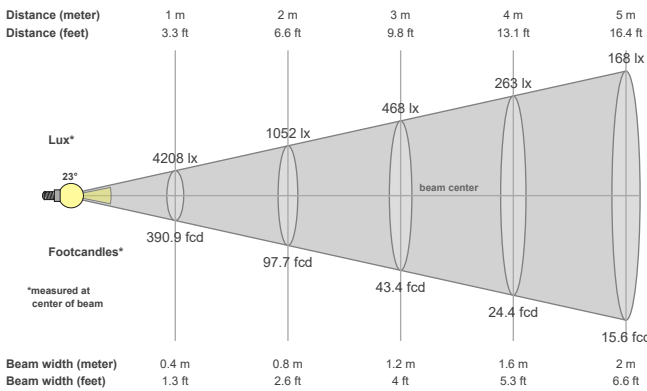


Color vector graphics



Color temperature	Color rendering index	Red component	Color fidelity	Color gamut	Color quality scale	Color coordinate cie 1931	Color coordinate cie 1931	Color coordinate	Color coordinate	Color deviation from black body
CCT	CRI	CRI R9	TM30 Rf	TM30 Rg	CQS	x	y	u	v	Δuv
3000 K	92.0	58.7	90.5	99.9	90.3	0.437	0.404	0.249	0.347	0.0001

Beam details



Beam angles

Beam angle 50%	Field angle 10%	Cutoff angle 2,5%
22.7°	40.5°	56.6°

Beam intensities

Peak intensity	Int. ratio in 120° cone	Int. ratio in 90° cone
4208 cd	99.7%	99.2%

Beam intensities from 1-20m

1m	2m	3m	4m	5m	6m	7m	8m	9m	10m	11m	12m	13m	14m	15m	16m	17m	18m	19m	20m
3.3ft	6.6ft	9.8ft	13.1ft	16.4ft	19.7ft	23ft	26.2ft	29.5ft	32.8ft	36.1ft	39.4ft	42.7ft	45.9ft	49.2ft	52.5ft	55.8ft	59.1ft	62.3ft	65.6ft
4208lx	1052lx	468lx	263lx	168lx	117lx	86lx	66lx	52lx	42lx	35lx	29lx	25lx	21lx	19lx	16lx	15lx	13lx	12lx	11lx
390.9fcd	97.7fcd	43.4fcd	24.4fcd	15.6fcd	10.9fcd	8fcd	6.1fcd	4.8fcd	3.9fcd	3.2fcd	2.7fcd	2.3fcd	2fcd	1.7fcd	1.5fcd	1.4fcd	1.2fcd	1.1fcd	1fcd

The above information is for 3000K colour temperature, for specific module information please see LED spec located on our website

For information regarding other colour temperatures please use the following factors for lumen output and candelas:

2700K = 1
4000K = 1.084

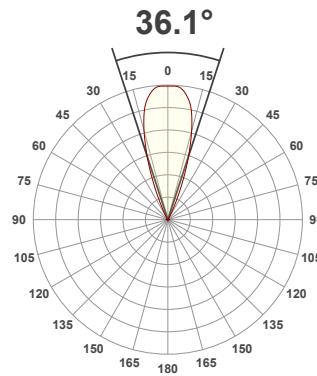
Light efficiency:



Light quality:



Color temperature:



Product name:

Plus Conical Fixed - LED51 GEN2, 3000K, 38°, 350mA

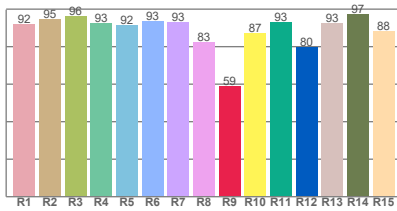
Item number:

LED51/2-30-38-350mA

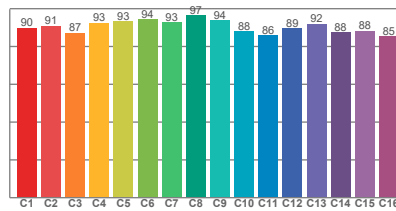
Delivered information for above fixture and LED combination.

Output: 916 Lumen Peak intensity: 2602 cd Power consumption: 13.6

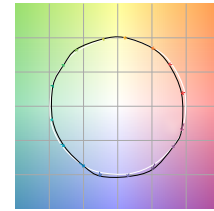
CRI R values



TM30 C Values

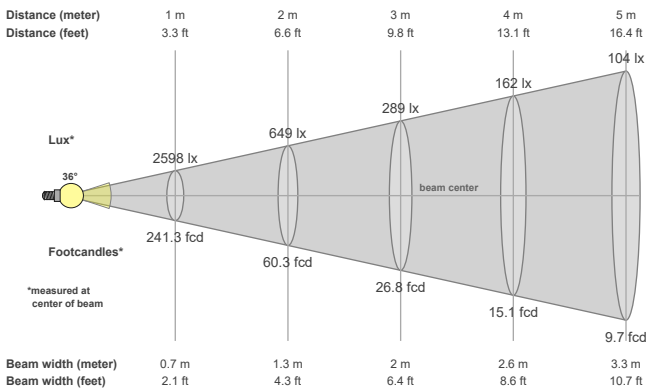


Color vector graphics



Color temperature	Color rendering index	Red component	Color fidelity	Color gamut	Color quality scale	Color coordinate cie 1931	Color coordinate cie 1931	Color coordinate	Color coordinate	Color deviation from black body
CCT	CRI	CRI R9	TM30 Rf	TM30 Rg	CQS	x	y	u	v	Δuv
3000 K	92.0	58.8	90.5	100.0	90.3	0.437	0.404	0.249	0.347	0.0002

Beam details



Beam angels

Beam angle 50%	Field angle 10%	Cutoff angle 2,5%
36.1°	51.3°	62.4°

Beam intensities

Peak intensity	Int. ratio in 120° cone	Int. ratio in 90° cone
2602 cd	99.7%	99.5%

Beam intensities from 1-20m

1m	2m	3m	4m	5m	6m	7m	8m	9m	10m	11m	12m	13m	14m	15m	16m	17m	18m	19m	20m
3.3ft	6.6ft	9.8ft	13.1ft	16.4ft	19.7ft	23ft	26.2ft	29.5ft	32.8ft	36.1ft	39.4ft	42.7ft	45.9ft	49.2ft	52.5ft	55.8ft	59.1ft	62.3ft	65.6ft
2598lx	649lx	289lx	162lx	104lx	72lx	53lx	41lx	32lx	26lx	21lx	18lx	15lx	13lx	12lx	10lx	9lx	8lx	7lx	6lx
241.3fcd	60.3fcd	26.8fcd	15.1fcd	9.7fcd	6.7fcd	4.9fcd	3.8fcd	3fcd	2.4fcd	2fcd	1.7fcd	1.4fcd	1.2fcd	1.1fcd	0.9fcd	0.8fcd	0.7fcd	0.7fcd	0.6fcd

The above information is for 3000K colour temperature, for specific module information please see LED spec located on our website

For information regarding other colour temperatures please use the following factors for lumen output and candelas:

2700K = 1
4000K = 1.084