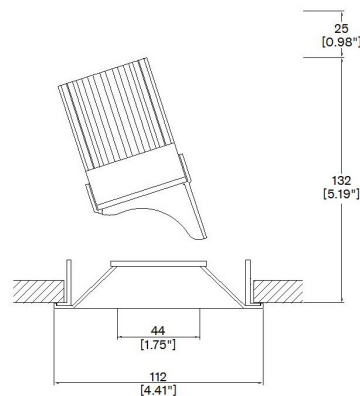


## ProSpex Plus Conical Accent Trim



112mm (4.41") overall trim diameter. Gear driven tilt and rotation. 360° rotation. Up to 45° tilt. Available with standard trim kit or plaster-in kit for flush appearance. Family of matching products also available. Required depth height + 25mm^



093+LED-TR  
Cut-out 102mm Ø

LED Source	LED51SS
CCT	3000K
Drive Current	500mA
Power inc Driver	6.75W
Beam Angle	7°
Delivered Lumens	364
Delivered Intensity cd	15333
Efficacy lm/w	54
Forward Volt	11.5V
CRI	≥90 CRI

Project Ref: \_\_\_\_\_

Location Ref: \_\_\_\_\_

### Fixture Order Code:

093+LED-TR -  -  -

Fixture  
093+LED-TR

Plus Conical Accent Trim with LED51

### Finish

WH  
BK  
BK-WH  
RAL

White  
Black  
Black inner, White trim (as shown below)  
Custom RAL Colour\*

IP Rating  
44

IP44

### Emergency

E  
ED  
ES

Maintained 3hr Emergency  
Maintained 3hr DALI Self Test  
Maintained 3hr Self Test



### LED Order Code:

LED51SS -  - 7 -

LED  
LED51SS

LED51 SuperSpot

### CCT

927  
930  
940

90 CRI 2700K  
90 CRI 3000K  
90 CRI 4000K

### Beam

7

7°

### Protocol

S  
A  
P  
D  
B

Non-Dim  
Analogue (0-10v)  
Phase  
DALI  
Bluetooth\*\*



**Honeycomb Louvre**



**Diffusing Lens**



**Frosted Lens**



**Heavy Spread Lens**



**Linear Spread Lens**



**Warm Tone**

Accessories Order Code:

Louvre/Lens

- LL45 Honeycomb Louvre
- LLCC Warm Tone Lens
- LLUV UV Lens
- LLDF Diffusing Lens
- LLFR Frosted Lens
- LLLS Linear Spread Lens
- LLHS Heavy Spread Lens

Technical Details

\*Custom RAL code must be specified. Custom RAL colours can increase prices and lead times

Dimming. Whilst Lucent can offer the majority of its luminaires with various dimming options, it remains the responsibility of the specifier/installer to check and ensure compatibility of any control equipment used. Additional cabling may be required depending on the dimming protocol specified.

\*\*Bluetooth (wireless) is the communication method. The exact dimming protocol must be confirmed to allow the selection of suitable drivers or bluetooth devices.

^ Depth indicated is the minimum recess depth for the luminaire with a remote mounted LED driver. Installing a driver through either the luminaire cut-out or installation kit may require additional recess depth, please refer to the relevant luminaire installation instructions for further details. Data correct at time of publishing

First Fix Requirement. Luminaire comprised of fixture body with ceiling trim and installation kit, which is to be fitted into the ceiling once finished. Ensure correct alignment of the installation kit before final assembly (see luminaire installation instructions for details)

IP Rating. Tested from underside of the ceiling

It is the policy of Lucent Lighting to continually review and improve its products and therefore reserve the right to change any details of product or withdraw specifications without prior notice.

Luminaires designed to comply with EN60598 and all other standards.

This specification sheet superseded all previous versions.

All intellectual property rights pertaining to the product described above and to this document are owned by or licensed to Lucent Lighting Ltd.

We reserve the right to take whatever action is necessary to protect those intellectual property rights.

Please notify Lucent Lighting Ltd of any inaccuracies immediately. E&OE

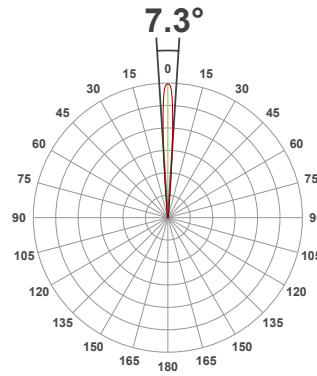
**Light efficiency:**



**Light quality:**



**Color temperature:**



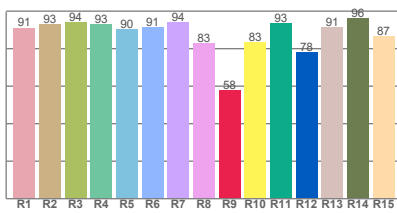
**Product name:**

**Plus Conical Accent - LED51  
Super Spot, 3000K, 7°, 500mA  
Item number:  
093+L-LED51SS-30-7-500mA**

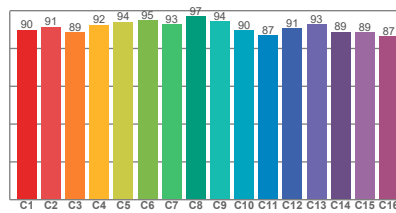
**Delivered information for above  
fixture and LED combination.**

**Output: 364 Lumen    Peak intensity: 15333 cd    Power consumption: 6.8**

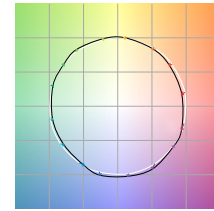
**CRI R values**



**TM30 C Values**

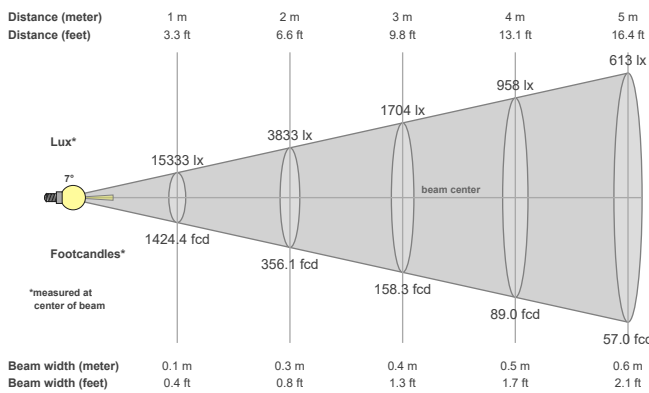


**Color vector graphics**



Color temperature	Color rendering index	Red component	Color fidelity	Color gamut	Color quality scale	Color coordinate cie 1931	Color coordinate cie 1931	Color coordinate	Color coordinate	Color deviation from black body
CCT	CRI	CRI R9	TM30 Rf	TM30 Rg	CQS	x	y	u	v	Δuv
3000 K	91.3	57.6	91.2	99.4	90.8	0.437	0.404	0.247	0.349	0.0031

**Beam details**



**Beam angels**

Beam angle 50%	Field angle 10%	Cutoff angle 2,5%
7.3°	12.6°	20.9°

**Beam intensities**

Peak intensity	Int. ratio in 120° cone	Int. ratio in 90° cone
15333 cd	99.0%	98.7%

**Beam intensities from 1-20m**

1m	2m	3m	4m	5m	6m	7m	8m	9m	10m	11m	12m	13m	14m	15m	16m	17m	18m	19m	20m
3.3ft	6.6ft	9.8ft	13.1ft	16.4ft	19.7ft	23ft	26.2ft	29.5ft	32.8ft	36.1ft	39.4ft	42.7ft	45.9ft	49.2ft	52.5ft	55.8ft	59.1ft	62.3ft	65.6ft
15333lx	3833lx	1704lx	958lx	613lx	426lx	313lx	240lx	189lx	153lx	127lx	106lx	91lx	78lx	68lx	60lx	53lx	47lx	42lx	38lx
1424.4fcd	356.1fcd	158.3fcd	89fcd	57fcd	39.6fcd	29.1fcd	22.3fcd	17.6fcd	14.2fcd	11.8fcd	9.9fcd	8.4fcd	7.3fcd	6.3fcd	5.6fcd	4.9fcd	4.4fcd	3.9fcd	3.6fcd

The above information is for 3000K colour temperature, for specific module information please see LED spec located on our website

For information regarding other colour temperatures please use the following factors for lumen output and candelas:

2700K = 0.9  
4000K = 1.08