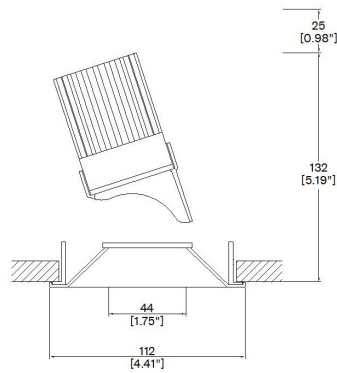


# Plus3.5 Conical Accent



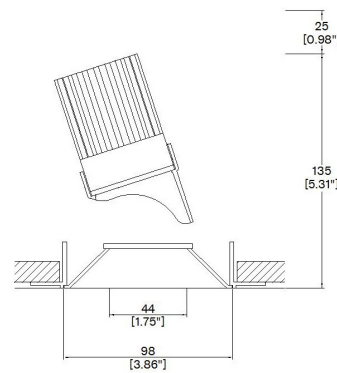
Plus provides high performance electronics and architectural aesthetics in round and square 3.5" and 5" trim. Plus products include adjustable, fixed and wallwash in a flanged or trimless installation kit. Adjustable can be provided with gear driven adjustment or manual adjustment. Available in various front plates (Conical, Bevel, Edge, Pyramidal and Square Bevel) Bevel and Square Bevel available with various color inserts. Tray, retrofit and housing installation methods (NIC, IC, AT, T24 and CCEA) Multiple configurations for equal spacing also available. Lucent modules available in a wide range of color temperatures, beam angles, intensities, and effects (Ambiance WarmDim and Dynamic Tuneable White). MR16 and GU10 LED lamp options available. TRIAC/Phase, 0-10v/1-10v, DMX and DALI/Digital dimming.



**A093+LED-TR**  
359° rotation. Up to 45° tilt.  
Cut-out 102mm (4.02") Ø



**Installation kit for overlap flange**



**A093+LED-TL**  
359° rotation. Up to 45° tilt.  
Cut-out 102mm (4.02") Ø



**Mud-in kit for seamless/trimless**

LED Source	LED51SS
CCT	3000K
Drive Current	500mA
Power inc Driver	6.75W
Beam Angle	7°
Delivered Lumens	364
Delivered Intensity cd	15333
Efficacy lm/w	54
Forward Volt	11.5V
CRI	≥90 CRI

Project Ref: \_\_\_\_\_

Location Ref: \_\_\_\_\_

Specify fixture part number (All boxes must be filled in to correctly order)

A093+LED					LED5ISS		7							
----------	--	--	--	--	---------	--	---	--	--	--	--	--	--	--

**Installation**

- TR Flange kit
- TL Mud-in kit

**Finish**

- WH White
- BK Black
- RAL Custom\*

**Location**

- XX Dry
- DP Damp

**Ceiling Thickness**

- SC Standard Ceiling (1/2"-5/8"-3/4")
- C Custom

**LED Type**

- LED5ISS LED5ISS (90CRI)

**CCT**

- 27 2700K
- 30 3000K
- 35 3500K
- 40 4000K

**Beam Angles**

- 7 7

**Housing/Tray**

- LMT-13-NIC Mounting Tray Non-Insulated ceilings
- LH-6.75-NIC Housing 6.75" Non-Insulated ceilings
- LH-8.50-AT/IC Housing 8.50" Insulated/Air-tight ceilings and Chicago Plenum

**Mounting Hardware**

- 09 9" to 15.25" - Adjustable Bar Hanger Lengths
- 14 14" to 24" - Adjustable Bar Hanger Lengths
- 36 28" to 36" - Adjustable Bar Hanger Lengths
- BB Butterfly Bracket
- CB Caterpillar Bracket

**Supply Voltage**

- 120 120V
- 277 277V

**Dimming Protocol**

- S Non-Dimmable
- P TRIAC/Phase (120V ONLY) (25-10% Minimum Dimming)\*\*\*
- AWN Athena wireless RF node\*\*\*\*
- LHE EcoSystem Hi-Lume Fade to Black (1% Dimming)
- LAE Lutron 3-Wire Hi-Lume (1% Dimming)
- LHP Lutron Hi-Lume Premier EcoSystem (0.1% Dimming)
- A 0-10V (15-5% Minimum Dimming)\*\*\*
- ESD EldoLED Solo DALI2 (0.1% Dimming)
- EED EldoLED Eco DALI2 (1% Dimming)
- ESA EldoLED Solo 0-10V/1-10V (0.1% Dimming)
- EEA EldoLED Eco 0-10V/1-10V (1% Dimming)
- B Bluetooth\*\*

**Emergency**

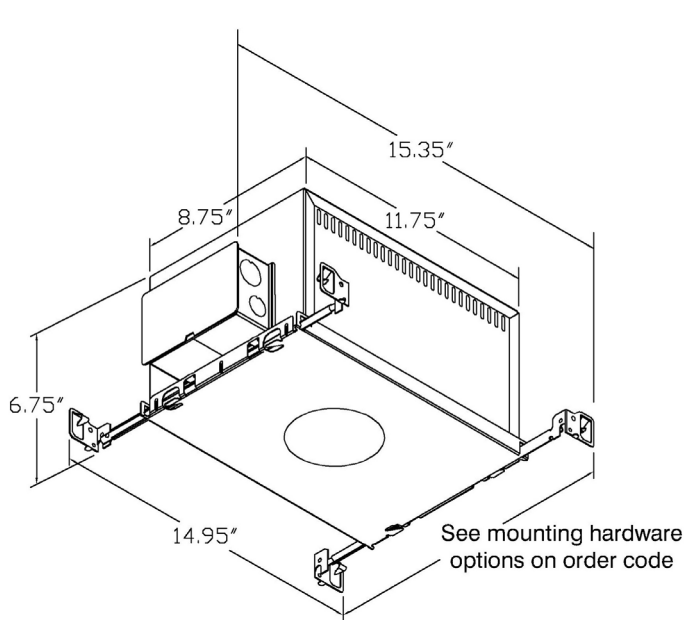
- E 1.5h Emergency
- ES 1.5h Self test

**Louvre/Lens**

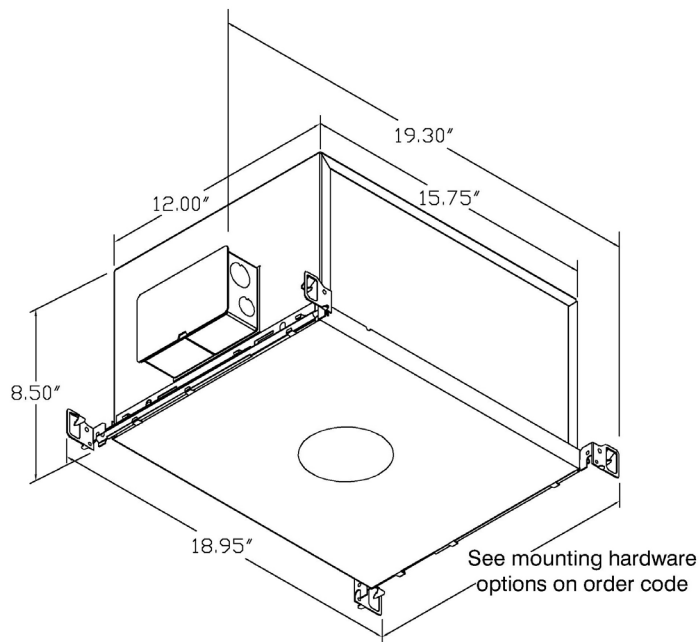
- XX Not required
- LL45 Honeycomb
- LLCC Warm Tone
- LLUV UV
- LLDF Solite/Diffusing
- LLFR Frosted Lens
- LLLS Linear Spread
- LLHS Heavy Spread

\*Refer to Technical Details for more information

Housing dimensions

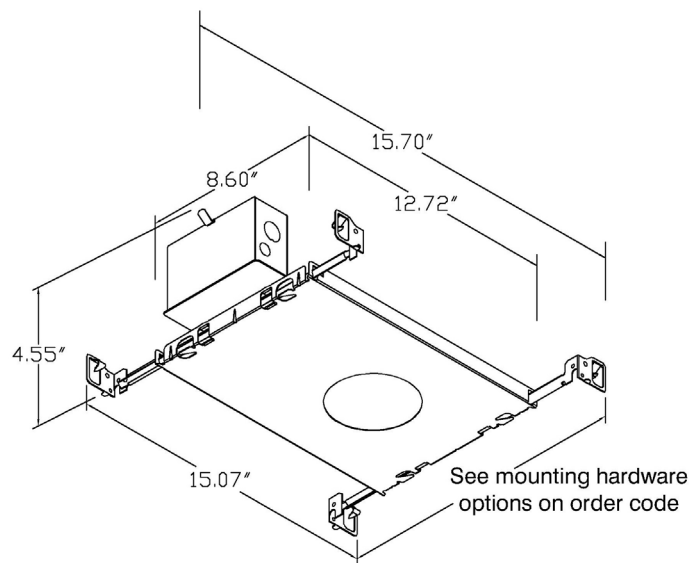


LH-6.75  
Non-insulated ceilings

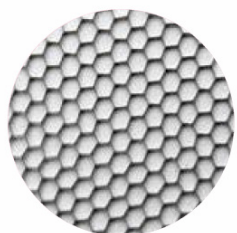


LH-8.50  
Insulated/air-tight ceilings and  
Chicago Plenum

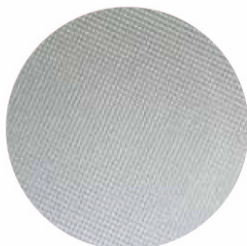
Tray dimensions



LMT-13  
Non-insulated ceilings



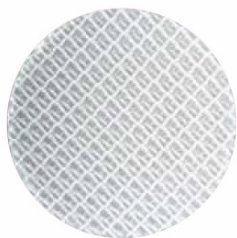
**Honeycomb Louvre (LL45)**



**Solite/Diffusing Lens (LLDF)**



**Frosted Lens (LLFR)**



**Heavy Spread Lens (LLHS)**



**Linear Spread Lens (LLLS)**



**Warm Tone (LLCC)**

.....  
**Technical Details**

\*Custom color requires a paint chip or RAL code and may increase price and lead-time

It is the responsibility of the specifier/integrator/installer to check and ensure compatibility of any control equipment used. Additional cabling may be required depending on the dimming protocol specified.

\*\*DALI Type 6 requires two DALI addresses, one for CCT control the other for intensity control. DALI Type 8 is a single DALI Type 8 address for CCT and intensity control. Please check which control system is being used before specifying.

\*\*\*\* Available for integration with Lutron Athena Control systems. Please contact Lucent Lighting Inc./Lutron factory for further details.

^ Depth indicated is the minimum recess depth for the luminaire with a remote mounted LED driver. Installing a driver through either the luminaire cut-out or installation kit may require additional recess depth, please refer to the relevant installation instructions prior to purchase.

First Fix Requirement. Luminaire comprised of fixture body with ceiling trim and installation kit, which is to be fitted into the ceiling once finished. Ensure correct alignment of the installation kit before final assembly (see luminaire installation instructions for details)

Location. Tested from underside of the ceiling.

Data correct at time of publishing. It is the policy of Lucent Lighting to continually review and improve its products and therefore reserve the right to change any details of product or withdraw specifications without prior notice.

This specification sheet supersedes all previous versions.

All intellectual property rights pertaining to the product described above and to this document are owned by or licensed to Lucent Lighting, Incorporated. Lucent Lighting reserves the right to take whatever action is necessary to protect its intellectual property, patents and trademarks

Please notify Lucent Lighting Inc. inaccuracies. E&OE

.....



**Light efficiency:**

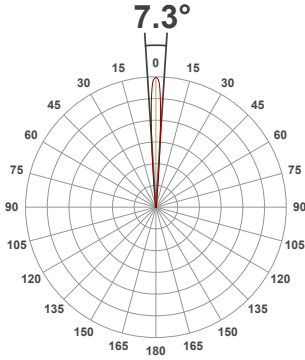
**54 Lumen/Watt**

**Light quality:**

**CRI: 91.3**

**Color temperature:**

**3000 K**

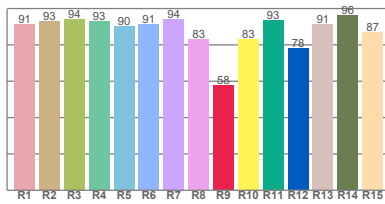


**Product name:**  
**Plus Conical Accent - LED51 Super Spot, 3000K, 7°, 500mA**  
**Item number:**  
**093+L-LED51SS-30-7-500mA**

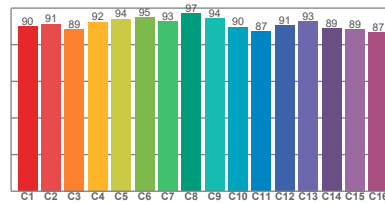
**Delivered information for above fixture and LED combination.**

**Output: 364 Lumen Peak intensity: 15333 cd Power consumption: 6.8**

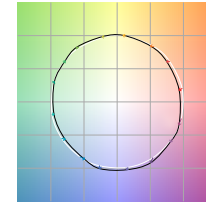
**CRI R values**



**TM30 C Values**

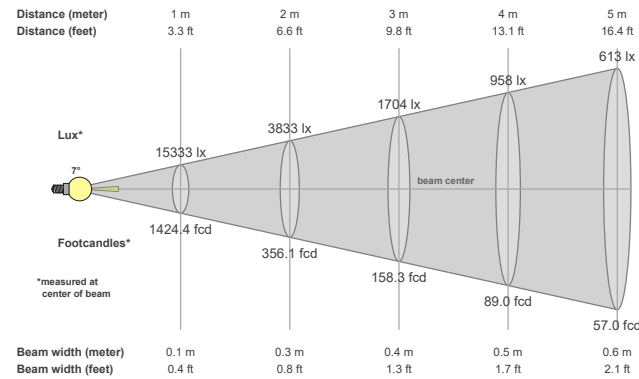


**Color vector graphics**



Color temperature	Color rendering index	Red component	Color fidelity	Color gamut	Color quality scale	Color coordinate cie 1931	Color coordinate cie 1931	Color coordinate	Color coordinate	Color deviation from black body
CCT	CRI	CRI R9	TM30 Rf	TM30 Rg	CQS	x	y	u	v	Δuv
3000 K	91.3	57.6	91.2	99.4	90.8	0.437	0.404	0.247	0.349	0.0031

**Beam details**



**Beam angles**

Beam angle 50%	Field angle 10%	Cutoff angle 2,5%
7.3°	12.6°	20.9°

**Beam intensities**

Peak intensity	Int. ratio in 120° cone	Int. ratio in 90° cone
15333 cd	99.0%	98.7%

**Beam intensities from 1-20m**

1m	2m	3m	4m	5m	6m	7m	8m	9m	10m	11m	12m	13m	14m	15m	16m	17m	18m	19m	20m
3.3ft	6.6ft	9.8ft	13.1ft	16.4ft	19.7ft	23ft	26.2ft	29.5ft	32.8ft	36.1ft	39.4ft	42.7ft	45.9ft	49.2ft	52.5ft	55.8ft	59.1ft	62.3ft	65.6ft
15333lx	3833lx	1704lx	958lx	613lx	426lx	313lx	240lx	189lx	153lx	127lx	106lx	91lx	78lx	68lx	60lx	53lx	47lx	42lx	38lx
1424.4fcd	356.1fcd	158.3fcd	89fcd	57fcd	39.6fcd	29.1fcd	22.3fcd	17.6fcd	14.2fcd	11.8fcd	9.9fcd	8.4fcd	7.3fcd	6.3fcd	5.6fcd	4.9fcd	4.4fcd	3.9fcd	3.6fcd

The above information is for 3000K colour temperature, for specific module information please see LED spec located on our website

For information regarding other colour temperatures please use the following factors for lumen output and candelas:

2700K = 0.9  
 4000K = 1.08