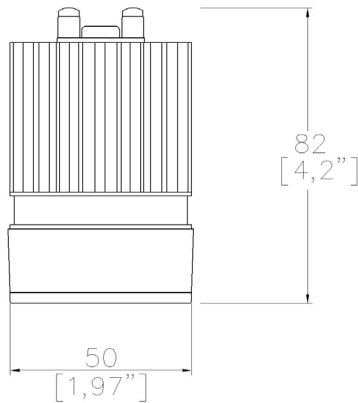




LED50 ONE QUANTUM HE



50mm (1.97") overall diameter. Single optic QUANTUM High efficacy LED module. For use in most ProSpex LED luminaires. Max drive current 200mA. Dimmable with the correct driver type.



LED51/Q-HE

Module Type	LED51/Q-HE			
CCT	3000K			
CRI	≥90 CRI			
Drive Current	200mA			
Module Power	6.6W			
System Power (inc. driver)	8W			
Forward Volt	33V			
MacAdam Ellipse	2-Step			
Operating Temperature	-20°C to 35°C			
Lifetime	L70 50,000hrs @ 25°C Ta			
Beam Angle	NF (17°)	MF (21°)	FL (34°)	WFL (55°)
Module Lumens	1130	1187	1160	1088
Module Intensisty cd	7978	6666	3087	1334
Module Efficacy lm/w	171	180	176	165

Lumen output for other CCTs use the following multiplication factors to the 3000K figures above: 2700K x 0.98. 4000K x 1.02

Module Order Code: LED51/Q-HE - [] - []

LED LED51/Q-HE LED50 ONE QUANTUM HE

CCT 27 2700K 30 3000K 40 4000K***

Beam NF Narrow Flood MF Medium Flood FL Flood WFL Wide Flood

***contact Lucent for availability

Technical Details

Efficacies on page 1 are for QUANTUM module only. Driver efficiencies will effect this figure. Refer to the luminaire specification sheets for complete system efficacy.

Dimming. Whilst Lucent can offer the majority of its luminaires with various dimming options, it remains the responsibility of the specifier/installer to check and ensure compatibility of any control equipment used. Additional cabling may be required depending on the dimming protocol specified. Analogue, Phase, DALI and Bluetooth.

**Bluetooth (wireless) is the communication method. The exact dimming protocol must be confirmed to allow the selection of suitable drivers or bluetooth devices.

It is the policy of Lucent Lighting to continually review and improve its products and therefore reserve the right to change any details of product or withdraw specifications without prior notice.

Luminaires designed to comply with EN60598 and all other standards.

This specification sheet superseded all previous versions.

All intellectual property rights pertaining to the product described above and to this document are owned by or licensed to Lucent Lighting Ltd.

We reserve the right to take whatever action is necessary to protect those intellectual property rights.