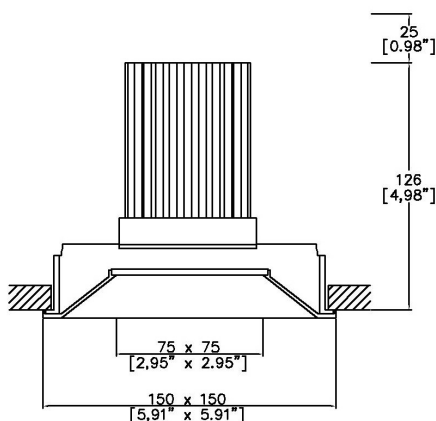


ProSpex Plus XL Pyramidal Fixed Trim



150 x 150mm (5.90" x 5.90") overall trim dimensions. Available with standard trim kit or plaster-in kit for flush appearance. Family of matching products also available. Required depth height + 25mm^



090+XL-LED-TR-SQ
Cut-out 142 x 142mm Ø

LED Source	LED71TW	LED71TW	LED71TW
CCT range 5000K-2000K	@ 3000K	@ 3000K	@ 3000K
Drive Current (max per channel)	1000mA	1000mA	1000mA
Power inc Driver Max	27.5W	27.5W	27.5W
Beam Angle	19°	23°	42°
Delivered Lumens	1505	1486	1468
Delivered Intensisty cd	6211	4614	1944
Efficacy lm/w	55	54	53
Forward Volt (max per channel)	23.4V	23.4V	23.4V
CRI	≥95 CRI	≥95 CRI	≥95 CRI

Project Ref: _____

Location Ref: _____

Fixture Order Code: - - -

Fixture
090+XL-LED-TR-SQ Plus XL Pyramidal Fixed Trim with LED71

Finish
WH White
BK Black
RAL Custom RAL Colour*

IP Rating
44 IP44

Emergency
E Maintained 3hr Emergency
ED Maintained 3hr DALI Self Test
ES Maintained 3hr Self Test



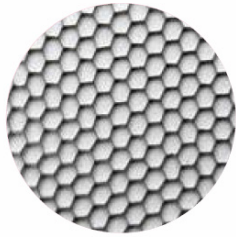
LED Order Code: - - -

LED
LED71TW LED70 ONE Tuneable White

CCT
5020 5000K - 2000K

Beam
19°
23°
42°

Protocol
D6 DALI Type 6**
D8 DALI Type 8**
B Bluetooth***



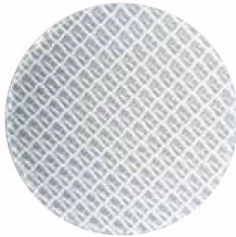
Honeycomb Louvre



Diffusing Lens



Frosted Lens



Heavy Spread Lens



Linear Spread Lens



Warm Tone

Accessories Order Code:

Louvre/Lens

- MD45 Honeycomb Louvre
- MDCC Warm Tone Lens
- MDUV UV Lens
- MDDF Diffusing Lens
- MDFR Frosted Lens
- MDLS Linear Spread Lens
- MDHS Heavy Spread Lens

Technical Details

*Custom RAL code must be specified. Custom RAL colours can increase prices and lead times

Dimming. Whilst Lucent can offer the majority of its luminaires with various dimming options, it remains the responsibility of the specifier/installer to check and ensure compatibility of any control equipment used. Additional cabling may be required depending on the dimming protocol specified.

**Bluetooth (wireless) is the communication method. The exact dimming protocol must be confirmed to allow the selection of suitable drivers or bluetooth devices.

^ Depth indicated is the minimum recess depth for the luminaire with a remote mounted LED driver. Installing a driver through either the luminaire cut-out or installation kit may require additional recess depth, please refer to the relevant luminaire installation instructions for further details. Data correct at time of publishing

First Fix Requirement. Luminaire comprised of fixture body with ceiling trim and installation kit, which is to be fitted into the ceiling once finished. Ensure correct alignment of the installation kit before final assembly (see luminaire installation instructions for details)

IP Rating. Tested from underside of the ceiling

It is the policy of Lucent Lighting to continually review and improve its products and therefore reserve the right to change any details of product or withdraw specifications without prior notice.

Luminaires designed to comply with EN60598 and all other standards.

This specification sheet superseded all previous versions.

All intellectual property rights pertaining to the product described above and to this document are owned by or licensed to Lucent Lighting Ltd.

We reserve the right to take whatever action is necessary to protect those intellectual property rights.

Please notify Lucent Lighting Ltd of any inaccuracies immediately. E&OE

Light efficiency:

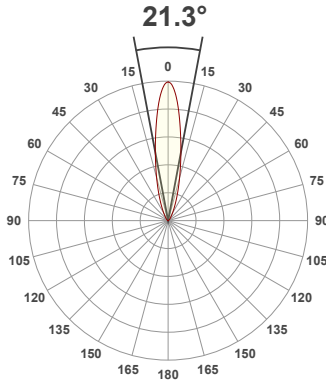
59 Lumen/Watt

Light quality:

CRI: 96.0

Color temperature:

2916 K



Product name:

090+XL-LED-SQ - LED71WD-3020-19

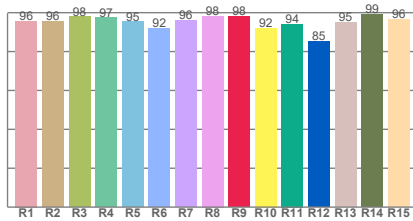
Item number:

Plus XL Pyramidal Fixed LED71WD-3020-19 - 1000mA

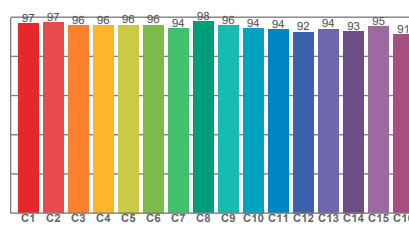
Delivered information for above fixture and LED combination.

Output: 1592 Lumen Peak intensity: 6135 cd Power consumption: 27.0

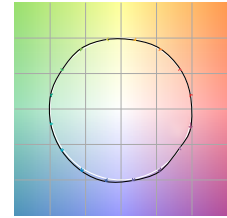
CRI R values



TM30 C Values

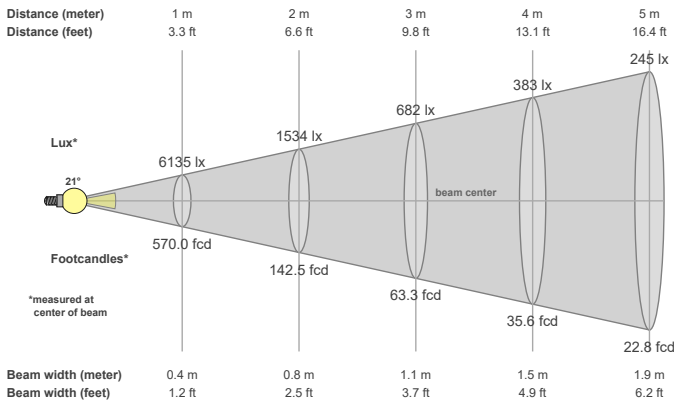


Color vector graphics



Color temperature	Color rendering index	Red component	Color fidelity	Color gamut	Color quality scale	Color coordinate cie 1931	Color coordinate cie 1931	Color coordinate	Color coordinate	Color deviation from black body
CCT	CRI	CRI R9	TM30 Rf	TM30 Rg	CQS	x	y	u	v	Δuv
2916 K	96.0	98.0	95.1	102.6	95.1	0.434	0.389	0.256	0.343	-0.0060

Beam details



Beam angles

Beam angle 50%	Field angle 10%	Cutoff angle 2,5%
21.3°	51.2°	81.9°

Beam intensities

Peak intensity	Int. ratio in 120° cone	Int. ratio in 90° cone
6135 cd	99.0%	93.2%

Beam intensities from 1-20m

1m	2m	3m	4m	5m	6m	7m	8m	9m	10m	11m	12m	13m	14m	15m	16m	17m	18m	19m	20m
3.3ft	6.6ft	9.8ft	13.1ft	16.4ft	19.7ft	23ft	26.2ft	29.5ft	32.8ft	36.1ft	39.4ft	42.7ft	45.9ft	49.2ft	52.5ft	55.8ft	59.1ft	62.3ft	65.6ft
6135lx	1534lx	682lx	383lx	245lx	170lx	125lx	96lx	76lx	61lx	51lx	43lx	36lx	31lx	27lx	24lx	21lx	19lx	17lx	15lx
570fcd	142.5fcd	63.3fcd	35.6fcd	22.8fcd	15.8fcd	11.6fcd	8.9fcd	7fcd	5.7fcd	4.7fcd	4fcd	3.4fcd	2.9fcd	2.5fcd	2.2fcd	2fcd	1.8fcd	1.6fcd	1.4fcd

The above information is for 3000K colour temperature, for specific module information please see LED spec located on our website

For information regarding other colour temperatures please use the following factors for lumen output and candelas:

2700K = 0.85

Light efficiency:

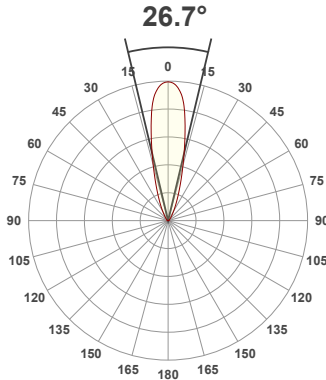
57 Lumen/Watt

Light quality:

CRI: 96.3

Color temperature:

2927 K



Product name:

090+XL-LED-SQ - LED71WD-3020-23

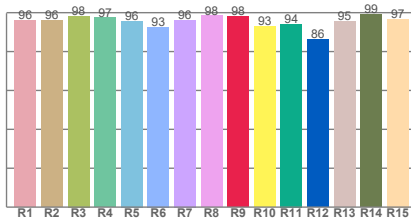
Item number:

Plus XL Pyramidal Fixed LED71WD-3020-23 - 1000mA

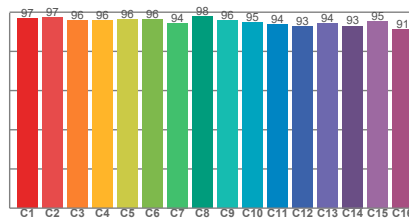
Delivered information for above fixture and LED combination.

Output: 1542 Lumen Peak intensity: 4778 cd Power consumption: 27.0

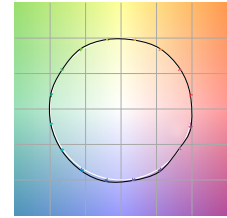
CRI R values



TM30 C Values

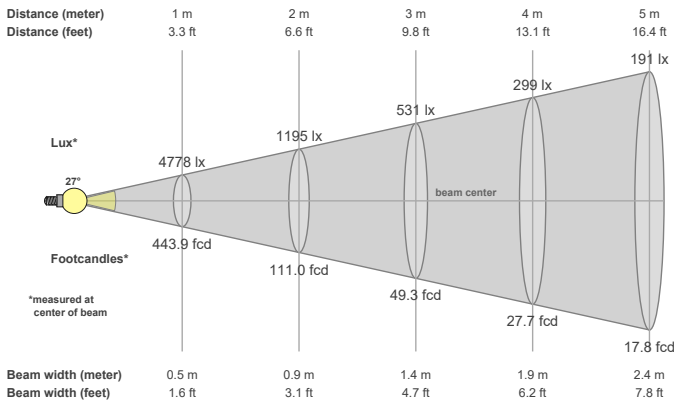


Color vector graphics



Color temperature	Color rendering index	Red component	Color fidelity	Color gamut	Color quality scale	Color coordinate cie 1931	Color coordinate cie 1931	Color coordinate	Color coordinate	Color deviation from black body
CCT	CRI	CRI R9	TM30 Rf	TM30 Rg	CQS	x	y	u	v	Δuv
2927 K	96.3	98.1	95.2	102.5	95.2	0.434	0.390	0.255	0.343	-0.0055

Beam details



Beam angles

Beam angle 50%	Field angle 10%	Cutoff angle 2,5%
26.7°	55.5°	87.2°

Beam intensities

Peak intensity	Int. ratio in 120° cone	Int. ratio in 90° cone
4778 cd	99.3%	94.0%

Beam intensities from 1-20m

1m	2m	3m	4m	5m	6m	7m	8m	9m	10m	11m	12m	13m	14m	15m	16m	17m	18m	19m	20m
3.3ft	6.6ft	9.8ft	13.1ft	16.4ft	19.7ft	23ft	26.2ft	29.5ft	32.8ft	36.1ft	39.4ft	42.7ft	45.9ft	49.2ft	52.5ft	55.8ft	59.1ft	62.3ft	65.6ft
4778lx	1195lx	531lx	299lx	191lx	133lx	98lx	75lx	59lx	48lx	39lx	33lx	28lx	24lx	21lx	19lx	17lx	15lx	13lx	12lx
443.9fcd	111fcd	49.3fcd	27.7fcd	17.8fcd	12.3fcd	9.1fcd	6.9fcd	5.5fcd	4.4fcd	3.7fcd	3.1fcd	2.6fcd	2.3fcd	2fcd	1.7fcd	1.5fcd	1.4fcd	1.2fcd	1.1fcd

The above information is for 3000K colour temperature, for specific module information please see LED spec located on our website

For information regarding other colour temperatures please use the following factors for lumen output and candelas:

2700K = 0.85

Light efficiency:

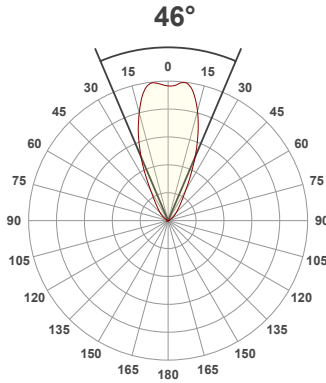
56 Lumen/Watt

Light quality:

CRI: 96.0

Color temperature:

2933 K



Product name:

090+XL-LED-SQ - LED71WD-3020-42

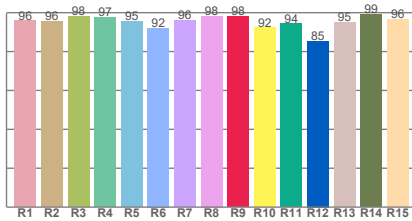
Item number:

Plus XL Pyramidal Fixed LED71WD-3020-42 - 1000mA

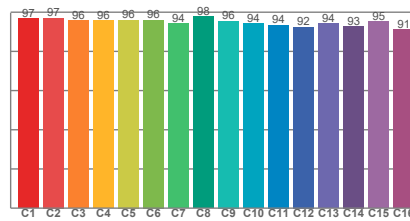
Delivered information for above fixture and LED combination.

Output: 1506 Lumen Peak intensity: 2090 cd Power consumption: 27.0

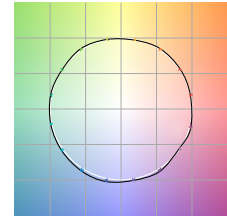
CRI R values



TM30 C Values

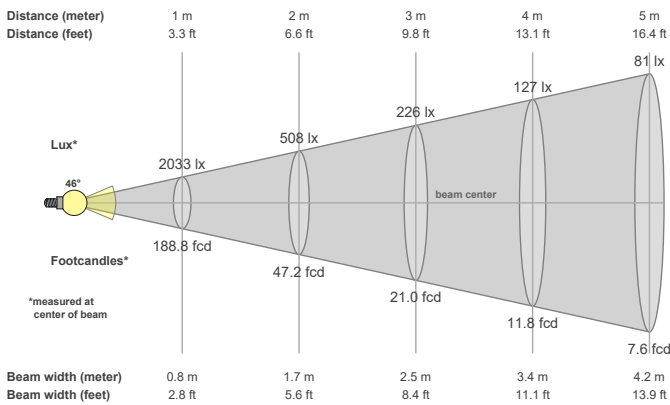


Color vector graphics



Color temperature	Color rendering index	Red component	Color fidelity	Color gamut	Color quality scale	Color coordinate cie 1931	Color coordinate cie 1931	Color coordinate	Color coordinate	Color deviation from black body
CCT	CRI	CRI R9	TM30 Rf	TM30 Rg	CQS	x	y	u	v	Δuv
2933 K	96.0	98.0	95.0	102.6	95.1	0.433	0.388	0.255	0.343	-0.0060

Beam details



Beam angles

Beam angle 50%	Field angle 10%	Cutoff angle 2,5%
46°	84.2°	116.2°

Beam intensities

Peak intensity	Int. ratio in 120° cone	Int. ratio in 90° cone
2090 cd	99.0%	90.3%

Beam intensities from 1-20m

1m	2m	3m	4m	5m	6m	7m	8m	9m	10m	11m	12m	13m	14m	15m	16m	17m	18m	19m	20m
3.3ft	6.6ft	9.8ft	13.1ft	16.4ft	19.7ft	23ft	26.2ft	29.5ft	32.8ft	36.1ft	39.4ft	42.7ft	45.9ft	49.2ft	52.5ft	55.8ft	59.1ft	62.3ft	65.6ft
2033lx	508lx	226lx	127lx	81lx	56lx	41lx	32lx	25lx	20lx	17lx	14lx	12lx	10lx	9lx	8lx	7lx	6lx	6lx	5lx
188.8fcd	47.2fcd	21fcd	11.8fcd	7.6fcd	5.2fcd	3.9fcd	3fcd	2.3fcd	1.9fcd	1.6fcd	1.3fcd	1.1fcd	1fcd	0.8fcd	0.7fcd	0.7fcd	0.6fcd	0.5fcd	0.5fcd

The above information is for 3000K colour temperature, for specific module information please see LED spec located on our website

For information regarding other colour temperatures please use the following factors for lumen output and candelas:

2700K = 0.85