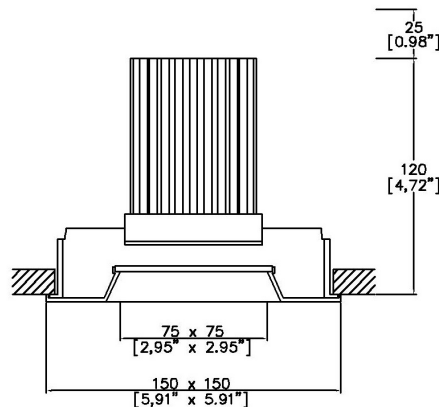


ProSpex Plus XL Square Bevel Fixed Trim



150 x 150mm (5.90" x 5.90") overall trim dimensions. Available with standard trim kit or plaster-in kit for flush appearance. Family of matching products also available. Required depth height + 25mm^



090+XL-33-LED-TR-SQ
Cut-out 142 x 142mm Ø

LED Source	LED71TW	LED71TW	LED71TW
CCT range 5000K-2000K	@ 3000K	@ 3000K	@ 3000K
Drive Current (max per channel)	1000mA	1000mA	1000mA
Power inc Driver Max	27.5W	27.5W	27.5W
Beam Angle	19°	23°	42°
Delivered Lumens	1439	1422	1366
Delivered Intensisty cd	6231	4612	1926
Efficacy lm/w	52	52	50
Forward Volt (max per channel)	23.4V	23.4V	23.4V
CRI	≥95 CRI	≥95 CRI	≥95 CRI

Project Ref: _____

Location Ref: _____

Fixture Order Code: - - -

Fixture
090+XL-33-LED-TR-SQ Plus XL Square Bevel Fixed Trim with LED71

Finish
WH White
BK Black
RAL Custom RAL Colour*

IP Rating
44 IP44

Emergency
E Maintained 3hr Emergency
ED Maintained 3hr DALI Self Test
ES Maintained 3hr Self Test



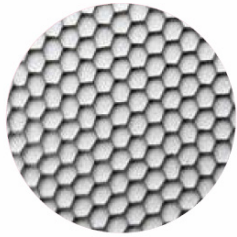
LED Order Code: - - -

LED
LED71TW LED70 ONE Tuneable White

CCT
5020 5000K - 2000K

Beam
19 19°
23 23°
42 42°

Protocol
D6 DALI Type 6**
D8 DALI Type 8**
B Bluetooth***



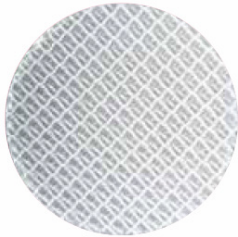
Honeycomb Louvre



Diffusing Lens



Frosted Lens



Heavy Spread Lens



Linear Spread Lens



Warm Tone

Accessories Order Code:

Louvre/Lens

- MD45 Honeycomb Louvre
- MDCC Warm Tone Lens
- MDUV UV Lens
- MDDF Diffusing Lens
- MDFR Frosted Lens
- MDLS Linear Spread Lens
- MDHS Heavy Spread Lens

Technical Details

*Custom RAL code must be specified. Custom RAL colours can increase prices and lead times

Dimming. Whilst Lucent can offer the majority of its luminaires with various dimming options, it remains the responsibility of the specifier/installer to check and ensure compatibility of any control equipment used. Additional cabling may be required depending on the dimming protocol specified.

**Bluetooth (wireless) is the communication method. The exact dimming protocol must be confirmed to allow the selection of suitable drivers or bluetooth devices.

^ Depth indicated is the minimum recess depth for the luminaire with a remote mounted LED driver. Installing a driver through either the luminaire cut-out or installation kit may require additional recess depth, please refer to the relevant luminaire installation instructions for further details. Data correct at time of publishing

First Fix Requirement. Luminaire comprised of fixture body with ceiling trim and installation kit, which is to be fitted into the ceiling once finished. Ensure correct alignment of the installation kit before final assembly (see luminaire installation instructions for details)

IP Rating. Tested from underside of the ceiling

It is the policy of Lucent Lighting to continually review and improve its products and therefore reserve the right to change any details of product or withdraw specifications without prior notice.

Luminaires designed to comply with EN60598 and all other standards.

This specification sheet superseded all previous versions.

All intellectual property rights pertaining to the product described above and to this document are owned by or licensed to Lucent Lighting Ltd.

We reserve the right to take whatever action is necessary to protect those intellectual property rights.

Please notify Lucent Lighting Ltd of any inaccuracies immediately. E&OE

Light efficiency:

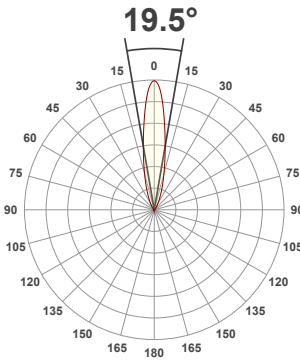
52 Lumen/Watt

Light quality:

CRI: 89.9

Color temperature:

3000 K



Product name:

090+XL-33-LED-SQ - LED71TW-5020-19 - 3000K

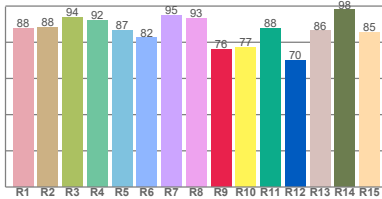
Item number:

Plus XL Bevel Fixed - LED71TW-5020-19 - 3000K

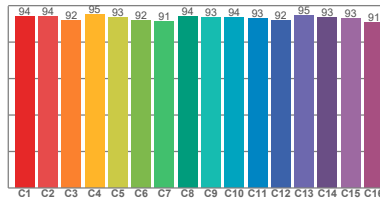
Delivered information for above fixture and LED combination.

Output: 1439 Lumen Peak intensity: 6231 cd Power consumption: 27.5

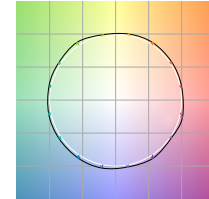
CRI R values



TM30 C Values

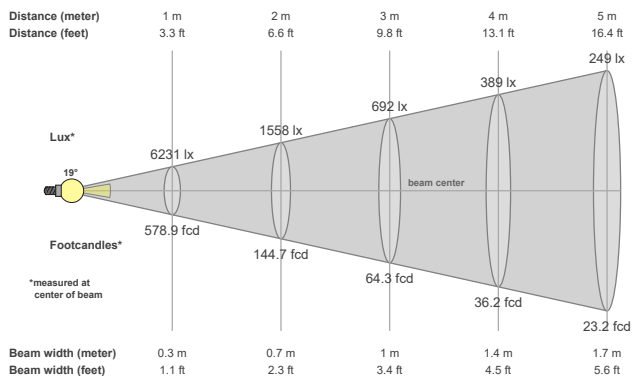


Color vector graphics



Color temperature	Color rendering index	Red component	Color fidelity	Color gamut	Color quality scale	Color coordinate cie 1931	Color coordinate cie 1931	Color coordinate	Color coordinate	Color deviation from black body
CCT	CRI	CRI R9	TM30 Rf	TM30 Rg	CQS	x	y	u	v	Δuv
3000 K	89.9	76.3	93.3	106.7	93.5	0.437	0.404	0.256	0.333	-0.0157

Beam details



Beam angles

Beam angle 50%	Field angle 10%	Cutoff angle 2,5%
19.5°	49.8°	78.2°

Beam intensities

Peak intensity	Int. ratio in 120° cone	Int. ratio in 90° cone
6231 cd	99.8%	96.6%

Beam intensities from 1-20m

1m	2m	3m	4m	5m	6m	7m	8m	9m	10m	11m	12m	13m	14m	15m	16m	17m	18m	19m	20m
3.3ft	6.6ft	9.8ft	13.1ft	16.4ft	19.7ft	23ft	26.2ft	29.5ft	32.8ft	36.1ft	39.4ft	42.7ft	45.9ft	49.2ft	52.5ft	55.8ft	59.1ft	62.3ft	65.6ft
6231lx	1558lx	692lx	389lx	249lx	173lx	127lx	97lx	77lx	62lx	51lx	43lx	37lx	32lx	28lx	24lx	22lx	19lx	17lx	16lx
578.9fcd	144.7fcd	64.3fcd	36.2fcd	23.2fcd	16.1fcd	11.8fcd	9fcd	7.1fcd	5.8fcd	4.8fcd	4fcd	3.4fcd	3fcd	2.6fcd	2.3fcd	2fcd	1.8fcd	1.6fcd	1.4fcd

The above information is for 3000K colour temperature, for specific module information please see LED spec located on our website

For information regarding other colour temperatures please use the following factors for lumen output and candelas:

2700K =
4000K =

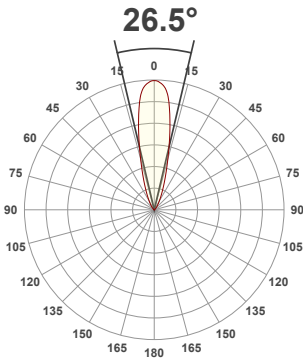
Light efficiency:



Light quality:



Color temperature:



Product name:

090+XL-33-LED-SQ - LED71TW-5020-24 - 3000K

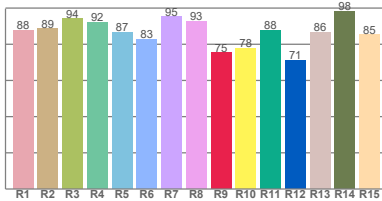
Item number:

Plus XL Bevel Fixed - LED71TW-5020-24 - 3000K

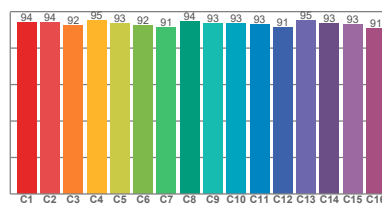
Delivered information for above fixture and LED combination.

Output: 1422 Lumen Peak intensity: 4612 cd Power consumption: 27.5

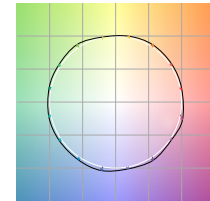
CRI R values



TM30 C Values

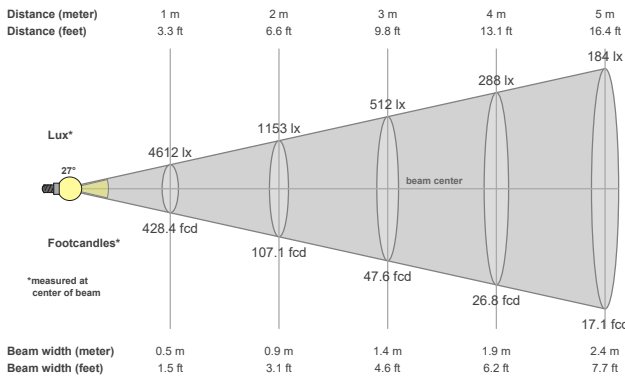


Color vector graphics



Color temperature	Color rendering index	Red component	Color fidelity	Color gamut	Color quality scale	Color coordinate cie 1931	Color coordinate cie 1931	Color coordinate	Color coordinate	Color deviation from black body
CCT	CRI	CRI R9	TM30 Rf	TM30 Rg	CQS	x	y	u	v	Δuv
3000 K	90.0	75.3	93.3	106.6	93.7	0.437	0.404	0.254	0.332	-0.0157

Beam details



Beam angles

Beam angle 50%	Field angle 10%	Cutoff angle 2,5%
26.5°	55.4°	83°

Beam intensities

Peak intensity	Int. ratio in 120° cone	Int. ratio in 90° cone
4612 cd	99.8%	97.0%

Beam intensities from 1-20m

1m	2m	3m	4m	5m	6m	7m	8m	9m	10m	11m	12m	13m	14m	15m	16m	17m	18m	19m	20m
3.3ft	6.6ft	9.8ft	13.1ft	16.4ft	19.7ft	23ft	26.2ft	29.5ft	32.8ft	36.1ft	39.4ft	42.7ft	45.9ft	49.2ft	52.5ft	55.8ft	59.1ft	62.3ft	65.6ft
4612lx	1153lx	512lx	288lx	184lx	128lx	94lx	72lx	57lx	46lx	38lx	32lx	27lx	24lx	20lx	18lx	16lx	14lx	13lx	12lx
428.4fcd	107.1fcd	47.6fcd	26.8fcd	17.1fcd	11.9fcd	8.7fcd	6.7fcd	5.3fcd	4.3fcd	3.5fcd	3fcd	2.5fcd	2.2fcd	1.9fcd	1.7fcd	1.5fcd	1.3fcd	1.2fcd	1.1fcd

The above information is for 3000K colour temperature, for specific module information please see LED spec located on our website

For information regarding other colour temperatures please use the following factors for lumen output and candelas:

2700K =
4000K =

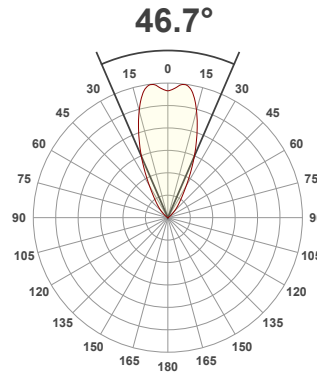
Light efficiency:



Light quality:



Color temperature:



Product name:

090+XL-33-LED-SQ - LED71TW-5020-44 - 3000K

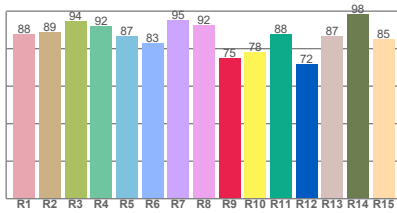
Item number:

Plus XL Bevel Fixed - LED71TW-5020-44 - 3000K

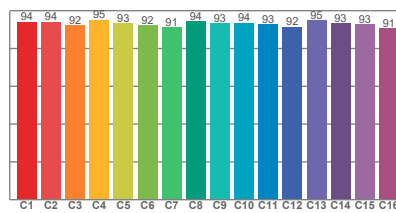
Delivered information for above fixture and LED combination.

Output: 1365 Lumen Peak intensity: 1926 cd Power consumption: 27.6

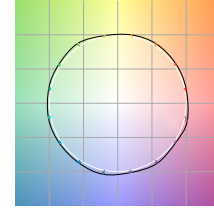
CRI R values



TM30 C Values

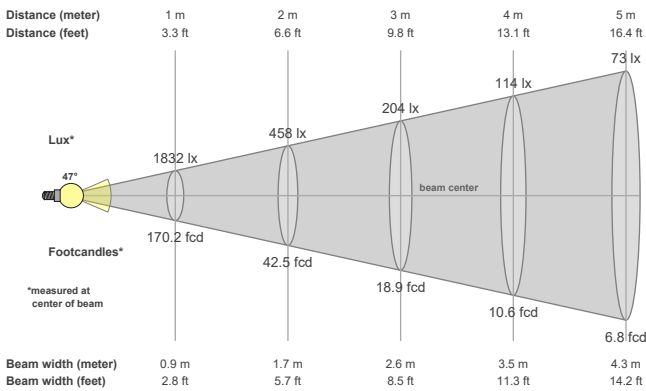


Color vector graphics



Color temperature	Color rendering index	Red component	Color fidelity	Color gamut	Color quality scale	Color coordinate cie 1931	Color coordinate cie 1931	Color coordinate	Color coordinate	Color deviation from black body
CCT	CRI	CRI R9	TM30 Rf	TM30 Rg	CQS	x	y	u	v	Δuv
3000 K	90.1	75.1	93.3	106.8	93.7	0.437	0.404	0.254	0.332	-0.0156

Beam details



Beam angels

Beam angle 50%	Field angle 10%	Cutoff angle 2,5%
46.7°	83.3°	105.2°

Beam intensities

Peak intensity	Int. ratio in 120° cone	Int. ratio in 90° cone
1926 cd	99.6%	94.2%

Beam intensities from 1-20m

1m	2m	3m	4m	5m	6m	7m	8m	9m	10m	11m	12m	13m	14m	15m	16m	17m	18m	19m	20m
3.3ft	6.6ft	9.8ft	13.1ft	16.4ft	19.7ft	23ft	26.2ft	29.5ft	32.8ft	36.1ft	39.4ft	42.7ft	45.9ft	49.2ft	52.5ft	55.8ft	59.1ft	62.3ft	65.6ft
1832lx	458lx	204lx	114lx	73lx	51lx	37lx	29lx	23lx	18lx	15lx	13lx	11lx	9lx	8lx	7lx	6lx	6lx	5lx	5lx
170.2fcd	42.5fcd	18.9fcd	10.6fcd	6.8fcd	4.7fcd	3.5fcd	2.7fcd	2.1fcd	1.7fcd	1.4fcd	1.2fcd	1fcd	0.9fcd	0.8fcd	0.7fcd	0.6fcd	0.5fcd	0.5fcd	0.4fcd

The above information is for 3000K colour temperature, for specific module information please see LED spec located on our website

For information regarding other colour temperatures please use the following factors for lumen output and candelas:

2700K =
4000K =