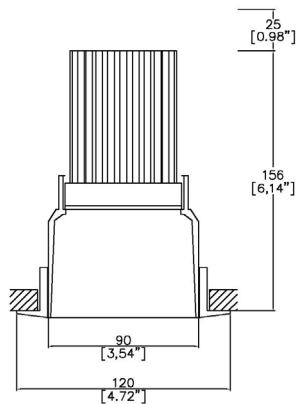


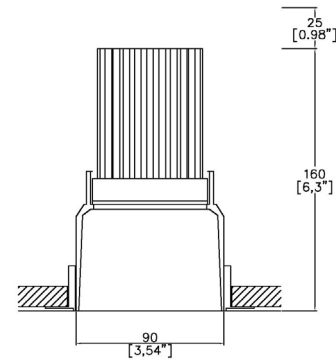
# Soft3.5 Fixed



Soft provides high performance electronics and architectural aesthetics in 3.5” trim. Soft products include adjustable and fixed in a flanged or trimless installation kit. Also available with various color finishes. Tray, retrofit and housing installation methods (NIC, IC, AT, T24 and CCEA) Multiple configurations for equal spacing also available. Lucent modules available in a wide range of color temperatures, beam angles, intensities, and effects (Ambiance WarmDim and Dynamic Tuneable White). MR16 and GU10 LED lamp options available. TRIAC/Phase, 0-10v/1-10v, DMX and DALI/ Digital dimming.



A090-LED-TR  
Cut-out 109mm (4.29”) Ø



A090-LED-TL  
Cut-out 105mm (4.13”) Ø



**Installation kit for overlap flange**



**Mud-in kit for seamless/trimless**

LED Source	LED71WD	LED71WD	LED71WD
CCT	3000K	3000K	3000K
Drive Current	1000mA	1000mA	1000mA
Power inc Driver	27W	27W	27W
Beam Angle	19°	23°	42°
Delivered Lumens	1602	1503	1384
Delivered Intensity cd	6480	5217	2215
Efficacy lm/w	58	55	50
Forward Volt	23V	23V	23V
CRI	≥95 CRI	≥95 CRI	≥95 CRI
Test results at full output			

Project Ref: \_\_\_\_\_

Location Ref: \_\_\_\_\_

Specify fixture part number (All boxes must be filled in to correctly order)

<b>A090-LED</b>						<b>LED71WD</b>								
-----------------	--	--	--	--	--	----------------	--	--	--	--	--	--	--	--

- Installation**
- TR** Flange kit
  - TL** Mud-in kit
- Body Finish**
- WH** White
  - BK** Black
  - RAL** Custom\*
- Trim Finish (Leave blank if trimless)**
- WH** White
  - BK** Black
  - RAL** Custom\*
- Location**
- XX** Standard Location
  - DP** Damp
  - WT** Wet
- Ceiling Thickness**
- SC** Standard Ceiling (1/2"-5/8"-3/4")
  - C** Custom
- LED Type**
- LED71WD** LED71 Ambiance WarmDim (95CRI)

- CCT**
- 2720** 2700K - 2000K
  - 3020** 3000K - 2000K

- Beam Angles**
- 19** 19
  - 23** 23
  - 42** 42

- Housing/Tray**
- LMT-13-NIC** Mounting Tray Non-Insulated ceilings
  - LH-8.50-NIC** Housing 8.50" Non-Insulated ceilings
  - LH-11.25-AT/IC** Housing 11.25" Insulated/Air-tight ceilings and Chicago Plenum

- Mounting Hardware**
- 09** 9" to 15.25" - Adjustable Bar Hanger Lengths
  - 14** 14" to 24" - Adjustable Bar Hanger Lengths
  - 36** 28" to 36" - Adjustable Bar Hanger Lengths
  - BB** Butterfly Bracket
  - CB** Caterpillar Bracket

- Supply Voltage**
- 120** 120V
  - 277** 277V

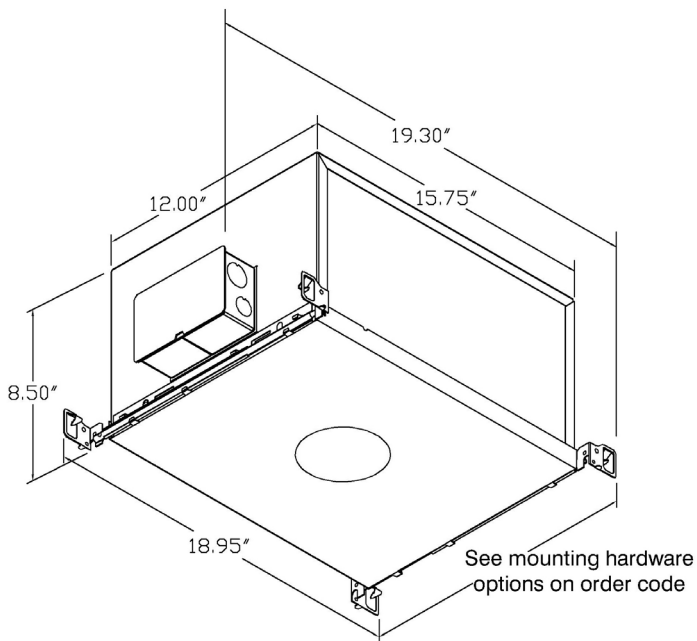
- Dimming Protocol**
- S** Non-Dimmable
  - P** TRIAC/Phase (120V ONLY) (25-10% Minimum Dimming)\*\*\*
  - LP** Lutron Forward Phase 2-Wire (1% Dimming) (120V ONLY)
  - ESS** EcoSystem 5-Series (5% Dimming)
  - LHE** EcoSystem Hi-Lume Fade to Black (1% Dimming)
  - LAE** Lutron 3-Wire Hi-Lume (1% Dimming)
  - LHP** Lutron Hi-Lume Premier EcoSystem (0.1% Dimming)
  - A** 0-10V (15-5% Minimum Dimming)\*\*\*
  - B** Bluetooth\*\*

- Emergency**
- E** 1.5h Emergency
  - ES** 1.5h Self test

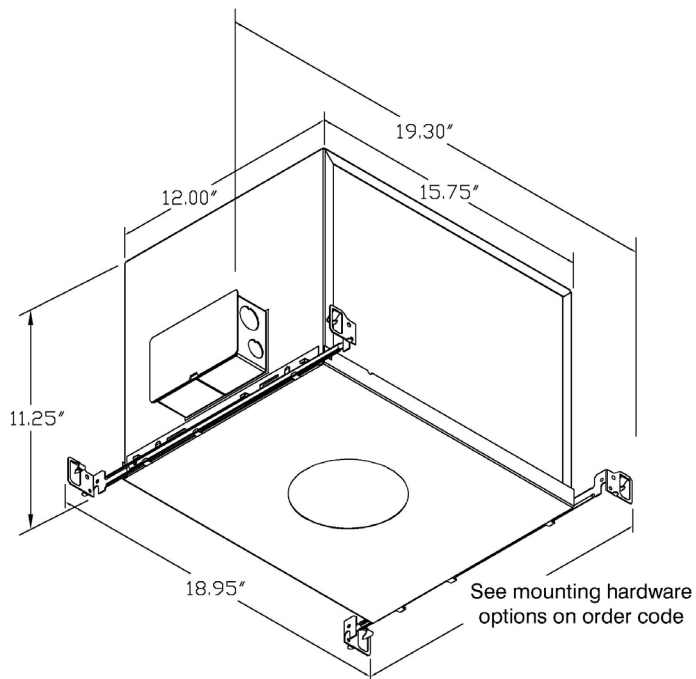
- Louvre/Lens**
- XX** Not required
  - MD45** Honeycomb
  - MDCC** Warm Tone
  - MDUV** UV
  - MDDF** Solite/Diffusing
  - MDFR** Frosted Lens
  - MDLS** Linear Spread
  - MDHS** Heavy Spread

\*Refer to Technical Details for more information

Housing dimensions

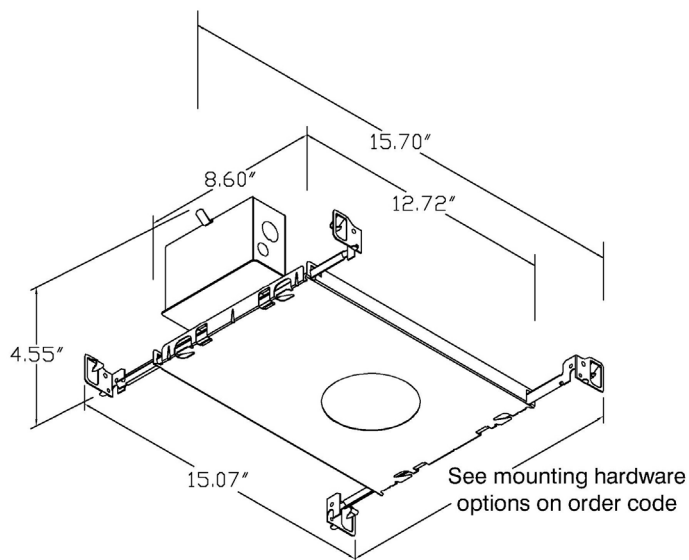


LH-8.50  
Non-insulated ceiling



LH-11.25  
Insulated/air-tight ceilings and  
Chicago Plenum

Tray dimensions



LMT-13  
Non-insulated ceilings



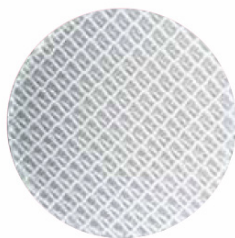
**Honeycomb Louvre (MD45)**



**Solite/Diffusing Lens (MDDF)**



**Frosted Lens (MDFR)**



**Heavy Spread Lens (MDHS)**



**Linear Spread Lens (MDLS)**



**Warm Tone (MDCC)**

.....

## Technical Details

\*Custom color requires a paint chip or RAL code and may increase price and lead-time

It is the responsibility of the specifier/integrator/installer to check and ensure compatibility of any control equipment used. Additional cabling may be required depending on the dimming protocol specified.

\*\*Bluetooth (wireless) is a communication protocol. The exact dimming protocol must be confirmed to allow the selection of suitable drivers or Bluetooth devices.

\*\*\*Non specific driver type, dimming performance depending on exact driver used. Contact Lucent Lighting for more information.

^ Depth indicated is the minimum recess depth for the luminaire with a remote mounted LED driver. Installing a driver through either the luminaire cut-out or installation kit may require additional recess depth, please refer to the relevant installation instructions prior to purchase.

First Fix Requirement. Luminaire comprised of fixture body with ceiling trim and installation kit, which is to be fitted into the ceiling once finished. Ensure correct alignment of the installation kit before final assembly (see luminaire installation instructions for details)

Location. Tested from underside of the ceiling.

Data correct at time of publishing. It is the policy of Lucent Lighting to continually review and improve its products and therefore reserve the right to change any details of product or withdraw specifications without prior notice.

This specification sheet supersedes all previous versions.

All intellectual property rights pertaining to the product described above and to this document are owned by or licensed to Lucent Lighting, Incorporated. Lucent Lighting reserves the right to take whatever action is necessary to protect its intellectual property, patents and trademarks

Please notify Lucent Lighting Inc. inaccuracies. E&OE

.....



Light efficiency:

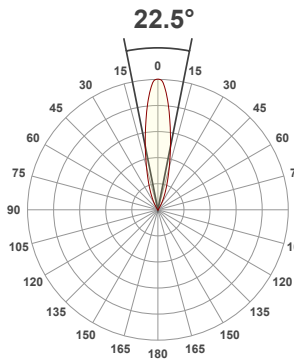
**58 Lumen/Watt**

Light quality:

**CRI: 96.4**

Color temperature:

**3000 K**



Product name:

**090-LED-TL\_TR - LED71WD-3020-19**

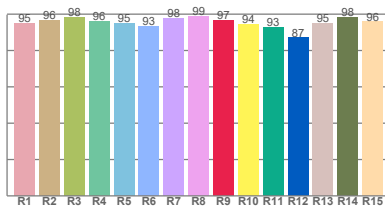
Item number:

**Soft90 fixed - LED71WD 3020-19 @ 1000mA**

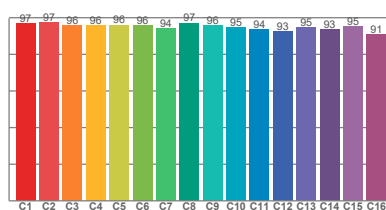
**Delivered information for above fixture and LED combination.**

**Output: 1602 Lumen Peak intensity: 6480 cd Power consumption: 27.5**

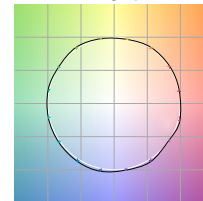
CRI R values



TM30 C Values

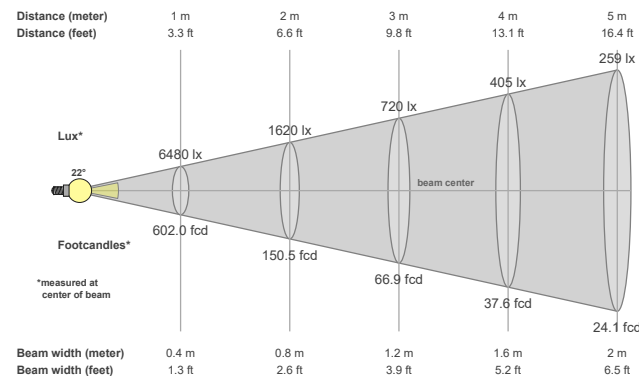


Color vector graphics



Color temperature	Color rendering index	Red component	Color fidelity	Color gamut	Color quality scale	Color coordinate cie 1931	Color coordinate cie 1931	Color coordinate	Color coordinate	Color deviation from black body
CCT	CRI	CRI R9	TM30 Rf	TM30 Rg	CQS	x	y	u	v	Δuv
3000 K	96.4	96.6	95.2	102.8	95.5	0.437	0.404	0.251	0.348	-0.0043

**Beam details**



**Beam angles**

Beam angle 50%	Field angle 10%	Cutoff angle 2,5%
<b>22.5°</b>	<b>51.4°</b>	<b>67.3°</b>

**Beam intensities**

Peak intensity	Int. ratio in 120° cone	Int. ratio in 90° cone
<b>6480 cd</b>	<b>97.7%</b>	<b>94.6%</b>

**Beam intensities from 1-20m**

1m	2m	3m	4m	5m	6m	7m	8m	9m	10m	11m	12m	13m	14m	15m	16m	17m	18m	19m	20m
3.3ft	6.6ft	9.8ft	13.1ft	16.4ft	19.7ft	23ft	26.2ft	29.5ft	32.8ft	36.1ft	39.4ft	42.7ft	45.9ft	49.2ft	52.5ft	55.8ft	59.1ft	62.3ft	65.6ft
6480lx	1620lx	720lx	405lx	259lx	180lx	132lx	101lx	80lx	65lx	54lx	45lx	38lx	33lx	29lx	25lx	22lx	20lx	18lx	16lx
602fcd	150.5fcd	66.9fcd	37.6fcd	24.1fcd	16.7fcd	12.3fcd	9.4fcd	7.4fcd	6fcd	5fcd	4.2fcd	3.6fcd	3.1fcd	2.7fcd	2.4fcd	2.1fcd	1.9fcd	1.7fcd	1.5fcd

The above information is for 3000K colour temperature, for specific module information please see LED spec located on our website

For information regarding other colour temperatures please use the following factors for lumen output and candelas:

2700K = 0.85

Light efficiency:

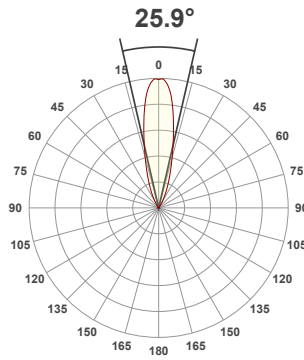
**55 Lumen/Watt**

Light quality:

**CRI: 96.3**

Color temperature:

**3000 K**



Product name:

**090-LED-TL\_TR - LED71WD-3020-23**

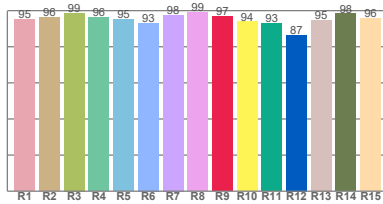
Item number:

**Soft90 fixed - LED71WD 3020-23 @ 1000mA**

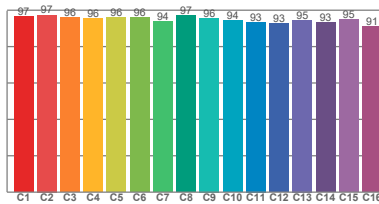
**Delivered information for above fixture and LED combination.**

**Output: 1503 Lumen Peak intensity: 5217 cd Power consumption: 27.5**

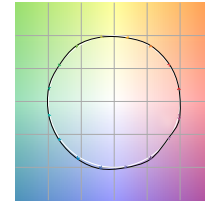
CRI R values



TM30 C Values

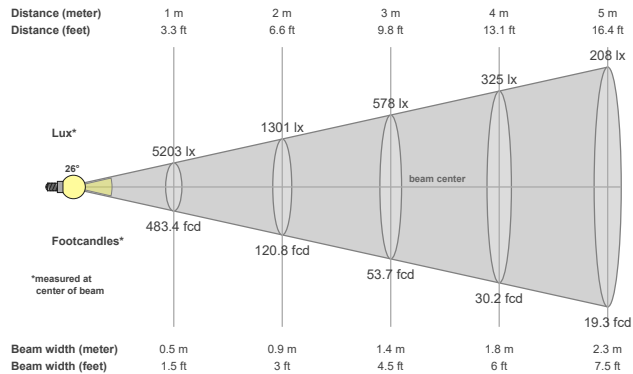


Color vector graphics



Color temperature	Color rendering index	Red component	Color fidelity	Color gamut	Color quality scale	Color coordinate cie 1931	Color coordinate cie 1931	Color coordinate	Color coordinate	Color deviation from black body
CCT	CRI	CRI R9	TM30 Rf	TM30 Rg	CQS	x	y	u	v	Δuv
3000 K	96.3	96.7	95.1	102.7	95.5	0.437	0.404	0.251	0.348	-0.0045

### Beam details



### Beam angles

Beam angle 50%	Field angle 10%	Cutoff angle 2,5%
25.9°	53.5°	68°

### Beam intensities

Peak intensity	Int. ratio in 120° cone	Int. ratio in 90° cone
5217 cd	97.4%	94.0%

### Beam intensities from 1-20m

1m	2m	3m	4m	5m	6m	7m	8m	9m	10m	11m	12m	13m	14m	15m	16m	17m	18m	19m	20m
3.3ft	6.6ft	9.8ft	13.1ft	16.4ft	19.7ft	23ft	26.2ft	29.5ft	32.8ft	36.1ft	39.4ft	42.7ft	45.9ft	49.2ft	52.5ft	55.8ft	59.1ft	62.3ft	65.6ft
5203lx	1301lx	578lx	325lx	208lx	145lx	106lx	81lx	64lx	52lx	43lx	36lx	31lx	27lx	23lx	20lx	18lx	16lx	14lx	13lx
483.4fcd	120.8fcd	53.7fcd	30.2fcd	19.3fcd	13.4fcd	9.9fcd	7.6fcd	6fcd	4.8fcd	4fcd	3.4fcd	2.9fcd	2.5fcd	2.1fcd	1.9fcd	1.7fcd	1.5fcd	1.3fcd	1.2fcd

The above information is for 3000K colour temperature, for specific module information please see LED spec located on our website

For information regarding other colour temperatures please use the following factors for lumen output and candelas:

2700K = 0.85

Light efficiency:

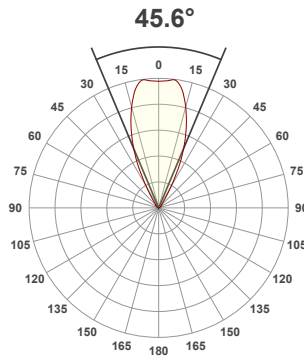
**50 Lumen/Watt**

Light quality:

**CRI: 96.3**

Color temperature:

**3000 K**



Product name:

**090-LED-TL\_TR - LED71WD-3020-42**

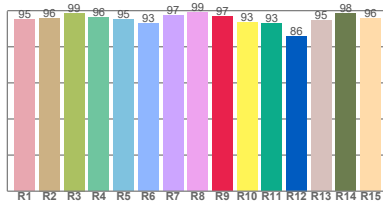
Item number:

**Soft90 fixed - LED71WD 3020-42 @ 1000mA**

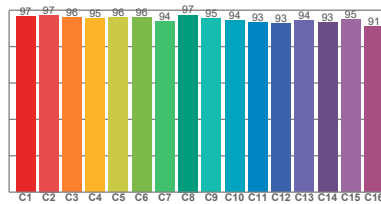
**Delivered information for above fixture and LED combination.**

**Output: 1384 Lumen Peak intensity: 2215 cd Power consumption: 27.5**

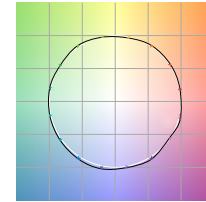
CRI R values



TM30 C Values

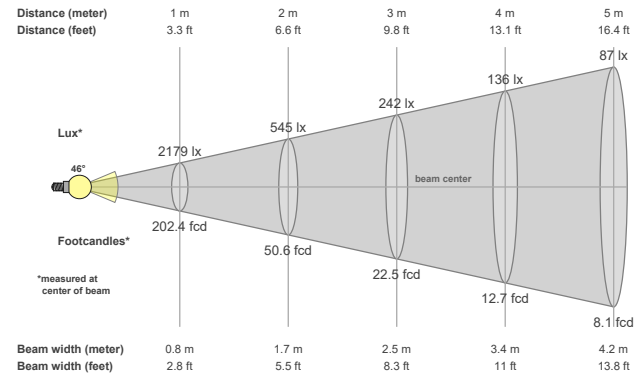


Color vector graphics



Color temperature	Color rendering index	Red component	Color fidelity	Color gamut	Color quality scale	Color coordinate cie 1931	Color coordinate cie 1931	Color coordinate	Color coordinate	Color deviation from black body
CCT	CRI	CRI R9	TM30 Rf	TM30 Rg	CQS	x	y	u	v	Δuv
3000 K	96.3	96.9	95.0	102.6	95.4	0.437	0.404	0.251	0.348	-0.0047

## Beam details



## Beam angles

Beam angle 50%	Field angle 10%	Cutoff angle 2,5%
45.6°	68.2°	104.9°

## Beam intensities

Peak intensity	Int. ratio in 120° cone	Int. ratio in 90° cone
2215 cd	96.5%	91.4%

## Beam intensities from 1-20m

1m	2m	3m	4m	5m	6m	7m	8m	9m	10m	11m	12m	13m	14m	15m	16m	17m	18m	19m	20m
3.3ft	6.6ft	9.8ft	13.1ft	16.4ft	19.7ft	23ft	26.2ft	29.5ft	32.8ft	36.1ft	39.4ft	42.7ft	45.9ft	49.2ft	52.5ft	55.8ft	59.1ft	62.3ft	65.6ft
2179lx	545lx	242lx	136lx	87lx	61lx	44lx	34lx	27lx	22lx	18lx	15lx	13lx	11lx	10lx	9lx	8lx	7lx	6lx	5lx
202.4fcd	50.6fcd	22.5fcd	12.7fcd	8.1fcd	5.6fcd	4.1fcd	3.2fcd	2.5fcd	2fcd	1.7fcd	1.4fcd	1.2fcd	1fcd	0.9fcd	0.8fcd	0.7fcd	0.6fcd	0.6fcd	0.5fcd

The above information is for 3000K colour temperature, for specific module information please see LED spec located on our website

For information regarding other colour temperatures please use the following factors for lumen output and candelas:

2700K = 0.85