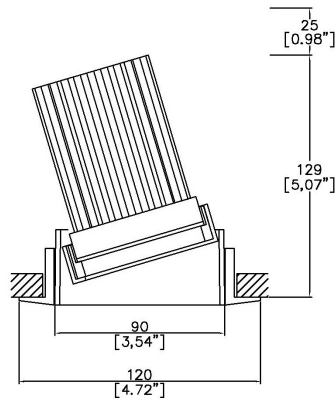


Soft3.5 Color Accent



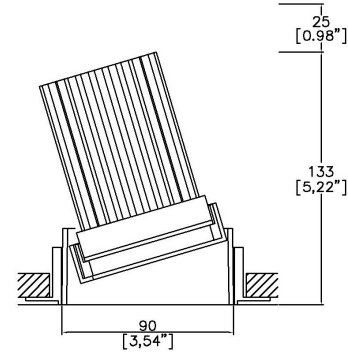
Soft provides high performance electronics and architectural aesthetics in 3.5” trim. Soft products include adjustable and fixed in a flanged or trimless installation kit. Also available with various color finishes. Tray, retrofit and housing installation methods (NIC, IC, AT, T24 and CCEA) Multiple configurations for equal spacing also available. Lucent modules available in a wide range of color temperatures, beam angles, intensities, and effects (Ambiance WarmDim and Dynamic Tuneable White). MR16 and GU10 LED lamp options available. TRIAC/Phase, 0-10v/1-10v, DMX and DALI/ Digital dimming.



A093-C-LED-TR
359° rotation. Up to 30° tilt
Cut-out 109mm (4.29”) Ø



Installation kit for overlap flange



A093-C-LED-TL
359° rotation. Up to 30° tilt
Cut-out 105mm (4.13”) Ø



Mud-in kit for seamless/trimless

LED Source	LED71WD	LED71WD	LED71WD
CCT	3000K	3000K	3000K
Drive Current	1000mA	1000mA	1000mA
Power inc Driver	27W	27W	27W
Beam Angle	19°	23°	42°
Delivered Lumens	1714	1630	1582
Delivered Intensisty cd	6597	5242	2243
Efficacy lm/w	62	59	58
Forward Volt	23V	23V	23V
CRI	≥95 CRI	≥95 CRI	≥95 CRI

Test results at full output

Soft Color Inserts



Polished Copper



Piano Black



Polished Gold



Satin Gold



Polished Silver



Satin Silver

Project Ref: _____

Location Ref: _____

Specify fixture part number (All boxes must be filled in to correctly order)

A093-LED					LED71WD									
----------	--	--	--	--	---------	--	--	--	--	--	--	--	--	--

- Installation _____
- TR Flange kit
 - TL Mud-in kit
- Color Insert _____
- CP Polished Copper
 - PB Piano Black
 - PG Polished Gold
 - SG Satin Gold
 - PS Polished Silver
 - SS Satin Silver
- Trim Finish (Leave blank if trimless) _____
- WH White
 - BK Black
 - RAL Custom*

- Ceiling Thickness _____
- SC Standard Ceiling (1/2"-5/8"-3/4")
 - C Custom

- LED Type _____
- LED71WD LED71 Ambiance WarmDim(95CRI)

- CCT _____
- 2720 2700K - 2000K
 - 3020 3000K - 2000K

- Beam Angles _____
- 19 19
 - 23 23
 - 42 42

- Housing/Tray _____
- LMT-13-NIC Mounting Tray Non-Insulated ceilings
 - LH-8.50-NIC Housing 8.50" Non-Insulated ceilings
 - LH-11.25-AT/IC Housing 11.25" Insulated/Air-tight ceilings and Chicago Plenum

- Mounting Hardware _____
- 09 9" to 15.25" - Adjustable Bar Hanger Lengths
 - 14 14" to 24" - Adjustable Bar Hanger Lengths
 - 36 28" to 36" - Adjustable Bar Hanger Lengths
 - BB Butterfly Bracket
 - CB Caterpillar Bracket

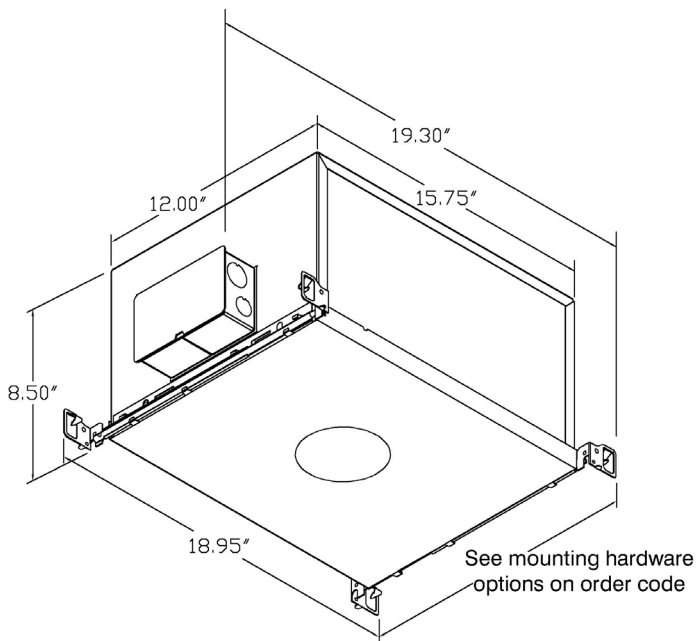
- Supply Voltage _____
- 120 120V
 - 277 277V

- Dimming Protocol _____
- S Non-Dimmable
 - P TRIAC/Phase (120V ONLY) (25-10% Minimum Dimming)***
 - LP Lutron Forward Phase 2-Wire (1% Dimming) (120V ONLY)
 - ESS EcoSystem 5-Series (5% Dimming)
 - LHE EcoSystem Hi-Lume Fade to Black (1% Dimming)
 - LAE Lutron 3-Wire Hi-Lume (1% Dimming)
 - LHP Lutron Hi-Lume Premier EcoSystem (0.1% Dimming)
 - A 0-10V (15-5% Minimum Dimming)***v
 - B Bluetooth**

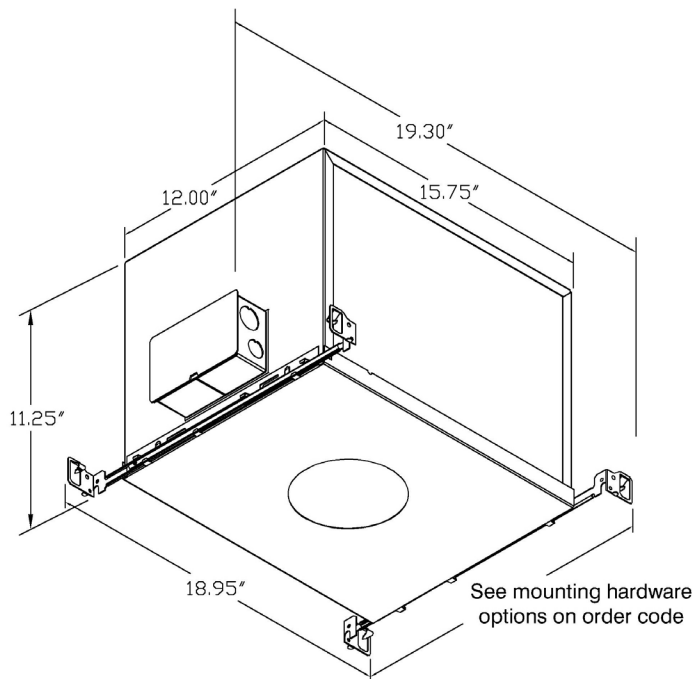
- Emergency _____
- E 1.5h Emergency
 - ES 1.5h Self test

- Louvre/Lens _____
- XX Not required
 - MD45 Honeycomb
 - MDCC Warm Tone
 - MDUV UV
 - MDDF Solite/Diffusing
 - MDFR Frosted Lens
 - MDLS Linear Spread
 - MDHS Heavy Spread

Housing dimensions

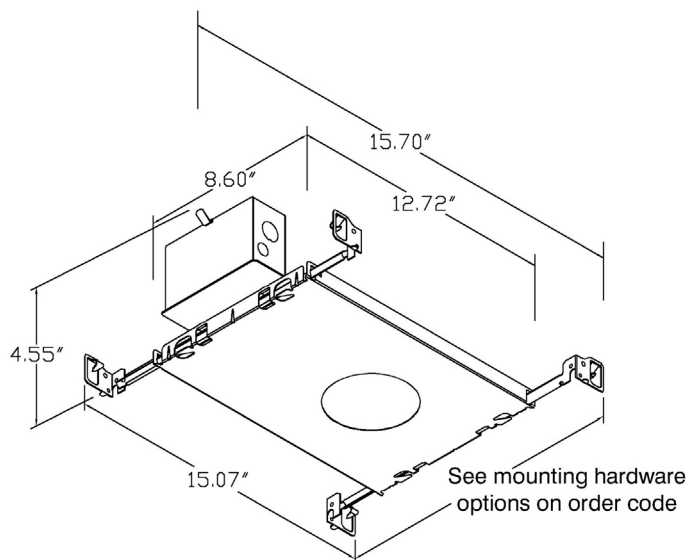


LH-8.50
Non-insulated ceiling

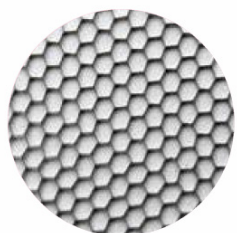


LH-11.25
Insulated/air-tight ceilings and
Chicago Plenum

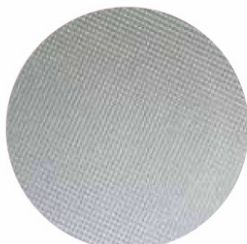
Tray dimensions



LMT-13
Non-insulated ceilings



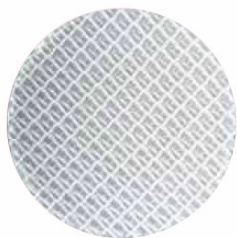
Honeycomb Louvre (MD45)



Solite/Diffusing Lens (MDDF)



Frosted Lens (MDFR)



Heavy Spread Lens (MDHS)



Linear Spread Lens (MDLS)



Warm Tone (MDCC)

Technical Details

*Custom color requires a paint chip or RAL code and may increase price and lead-time

It is the responsibility of the specifier/integrator/installer to check and ensure compatibility of any control equipment used. Additional cabling may be required depending on the dimming protocol specified.

**Bluetooth (wireless) is a communication protocol. The exact dimming protocol must be confirmed to allow the selection of suitable drivers or Bluetooth devices.

***Non specific driver type, dimming performance depending on exact driver used. Contact Lucent Lighting for more information.

^ Depth indicated is the minimum recess depth for the luminaire with a remote mounted LED driver. Installing a driver through either the luminaire cut-out or installation kit may require additional recess depth, please refer to the relevant installation instructions prior to purchase.

First Fix Requirement. Luminaire comprised of fixture body with ceiling trim and installation kit, which is to be fitted into the ceiling once finished. Ensure correct alignment of the installation kit before final assembly (see luminaire installation instructions for details)

Location. Tested from underside of the ceiling.

Data correct at time of publishing. It is the policy of Lucent Lighting to continually review and improve its products and therefore reserve the right to change any details of product or withdraw specifications without prior notice.

This specification sheet supersedes all previous versions.

All intellectual property rights pertaining to the product described above and to this document are owned by or licensed to Lucent Lighting, Incorporated. Lucent Lighting reserves the right to take whatever action is necessary to protect its intellectual property, patents and trademarks

Please notify Lucent Lighting Inc. inaccuracies. E&OE



Light efficiency:

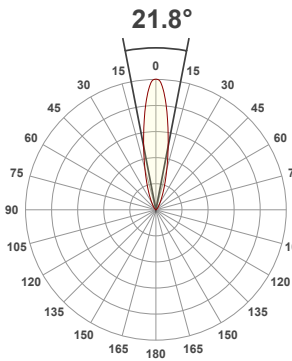
62 Lumen/Watt

Light quality:

CRI: 96.3

Color temperature:

3000 K



Product name:

093-LED-TL_TR - LED71WD-3020-19

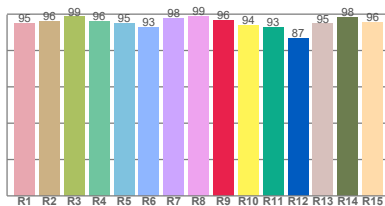
Item number:

Soft90 Accent - LED71WD 3020-19 @ 1000mA

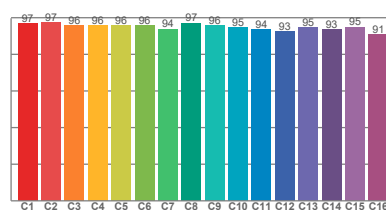
Delivered information for above fixture and LED combination.

Output: 1714 Lumen Peak intensity: 6597 cd Power consumption: 27.5

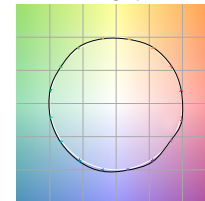
CRI R values



TM30 C Values

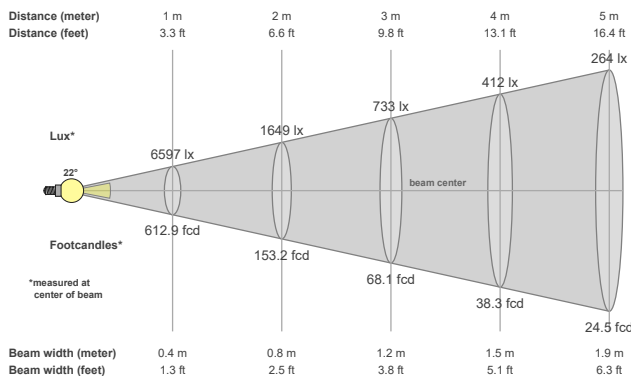


Color vector graphics



Color temperature	Color rendering index	Red component	Color fidelity	Color gamut	Color quality scale	Color coordinate cie 1931	Color coordinate cie 1931	Color coordinate	Color coordinate	Color deviation from black body
CCT	CRI	CRI R9	TM30 Rf	TM30 Rg	CQS	x	y	u	v	Δuv
3000 K	96.3	96.5	95.1	102.8	95.5	0.437	0.404	0.251	0.348	-0.0046

Beam details



Beam angles

Beam angle 50%	Field angle 10%	Cutoff angle 2,5%
21.8°	51.6°	80.9°

Beam intensities

Peak intensity	Int. ratio in 120° cone	Int. ratio in 90° cone
6597 cd	98.4%	94.8%

Beam intensities from 1-20m

1m	2m	3m	4m	5m	6m	7m	8m	9m	10m	11m	12m	13m	14m	15m	16m	17m	18m	19m	20m
3.3ft	6.6ft	9.8ft	13.1ft	16.4ft	19.7ft	23ft	26.2ft	29.5ft	32.8ft	36.1ft	39.4ft	42.7ft	45.9ft	49.2ft	52.5ft	55.8ft	59.1ft	62.3ft	65.6ft
6597lx	1649lx	733lx	412lx	264lx	183lx	135lx	103lx	81lx	66lx	55lx	46lx	39lx	34lx	29lx	26lx	23lx	20lx	18lx	16lx
612.9fcd	153.2fcd	68.1fcd	38.3fcd	24.5fcd	17fcd	12.5fcd	9.6fcd	7.6fcd	6.1fcd	5.1fcd	4.3fcd	3.6fcd	3.1fcd	2.7fcd	2.4fcd	2.1fcd	1.9fcd	1.7fcd	1.5fcd

The above information is for 3000K colour temperature, for specific module information please see LED spec located on our website

For information regarding other colour temperatures please use the following factors for lumen output and candelas:

2700K = 0.85

Light efficiency:

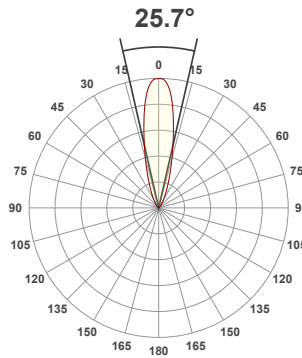
59 Lumen/Watt

Light quality:

CRI: 96.4

Color temperature:

3000 K



Product name:

093-LED-TL_TR - LED71WD-3020-23

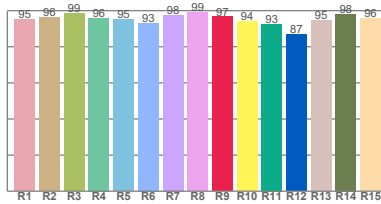
Item number:

Soft90 Accent - LED71WD 3020-23 @ 1000mA

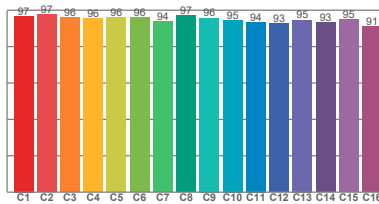
Delivered information for above fixture and LED combination.

Output: 1630 Lumen Peak intensity: 5242 cd Power consumption: 27.5

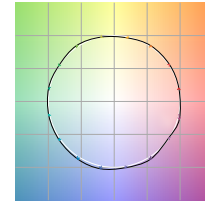
CRI R values



TM30 C Values

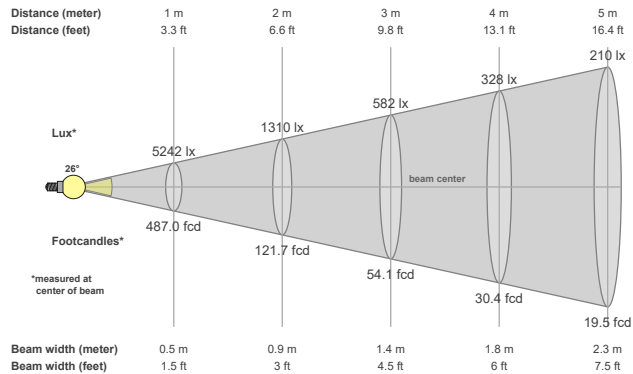


Color vector graphics



Color temperature	Color rendering index	Red component	Color fidelity	Color gamut	Color quality scale	Color coordinate cie 1931	Color coordinate cie 1931	Color coordinate	Color coordinate	Color deviation from black body
CCT	CRI	CRI R9	TM30 Rf	TM30 Rg	CQS	x	y	u	v	Δuv
3000 K	96.4	96.6	95.1	102.7	95.5	0.437	0.404	0.251	0.348	-0.0044

Beam details



Beam angles

Beam angle 50%	Field angle 10%	Cutoff angle 2,5%
25.7°	55.8°	84.5°

Beam intensities

Peak intensity	Int. ratio in 120° cone	Int. ratio in 90° cone
5242 cd	98.6%	94.9%

Beam intensities from 1-20m

1m	2m	3m	4m	5m	6m	7m	8m	9m	10m	11m	12m	13m	14m	15m	16m	17m	18m	19m	20m
3.3ft	6.6ft	9.8ft	13.1ft	16.4ft	19.7ft	23ft	26.2ft	29.5ft	32.8ft	36.1ft	39.4ft	42.7ft	45.9ft	49.2ft	52.5ft	55.8ft	59.1ft	62.3ft	65.6ft
5242lx	1310lx	582lx	328lx	210lx	146lx	107lx	82lx	65lx	52lx	43lx	36lx	31lx	27lx	23lx	20lx	18lx	16lx	15lx	13lx
487fcd	121.7fcd	54.1fcd	30.4fcd	19.5fcd	13.5fcd	9.9fcd	7.6fcd	6fcd	4.9fcd	4fcd	3.4fcd	2.9fcd	2.5fcd	2.2fcd	1.9fcd	1.7fcd	1.5fcd	1.3fcd	1.2fcd

The above information is for 3000K colour temperature, for specific module information please see LED spec located on our website

For information regarding other colour temperatures please use the following factors for lumen output and candelas:

2700K = 0.85

Light efficiency:

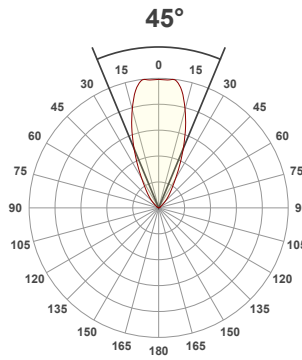
58 Lumen/Watt

Light quality:

CRI: 96.4

Color temperature:

3000 K



Product name:

093-LED-TL_TR - LED71WD-3020-42

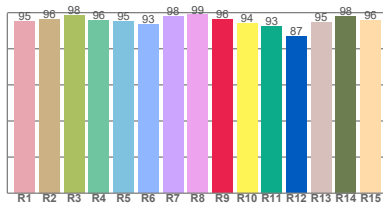
Item number:

Soft90 Accent - LED71WD 3020-42 @ 1000mA

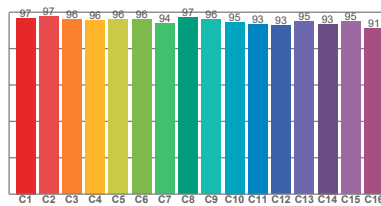
Delivered information for above fixture and LED combination.

Output: 1582 Lumen Peak intensity: 2243 cd Power consumption: 27.5

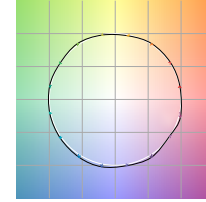
CRI R values



TM30 C Values

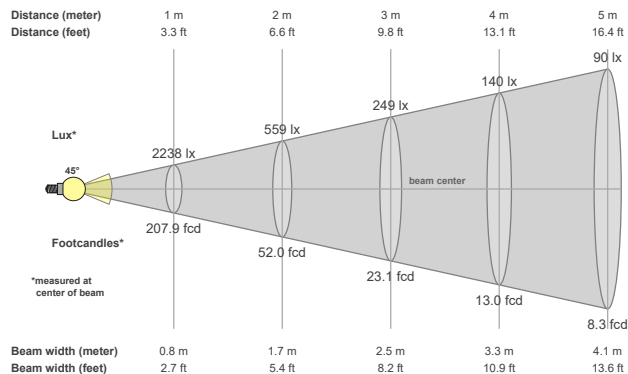


Color vector graphics



Color temperature	Color rendering index	Red component	Color fidelity	Color gamut	Color quality scale	Color coordinate cie 1931	Color coordinate cie 1931	Color coordinate	Color coordinate	Color deviation from black body
CCT	CRI	CRI R9	TM30 Rf	TM30 Rg	CQS	x	y	u	v	Δuv
3000 K	96.4	96.3	95.2	102.8	95.5	0.437	0.404	0.251	0.348	-0.0044

Beam details



Beam angles

Beam angle 50%	Field angle 10%	Cutoff angle 2,5%
45°	83.7°	107.8°

Beam intensities

Peak intensity	Int. ratio in 120° cone	Int. ratio in 90° cone
2243 cd	97.6%	91.5%

Beam intensities from 1-20m

1m	2m	3m	4m	5m	6m	7m	8m	9m	10m	11m	12m	13m	14m	15m	16m	17m	18m	19m	20m
3.3ft	6.6ft	9.8ft	13.1ft	16.4ft	19.7ft	23ft	26.2ft	29.5ft	32.8ft	36.1ft	39.4ft	42.7ft	45.9ft	49.2ft	52.5ft	55.8ft	59.1ft	62.3ft	65.6ft
2238lx	559lx	249lx	140lx	90lx	62lx	46lx	35lx	28lx	22lx	18lx	16lx	13lx	11lx	10lx	9lx	8lx	7lx	6lx	6lx
207.9fcd	52fcd	23.1fcd	13fcd	8.3fcd	5.8fcd	4.2fcd	3.2fcd	2.6fcd	2.1fcd	1.7fcd	1.4fcd	1.2fcd	1.1fcd	0.9fcd	0.8fcd	0.7fcd	0.6fcd	0.6fcd	0.5fcd

The above information is for 3000K colour temperature, for specific module information please see LED spec located on our website

For information regarding other colour temperatures please use the following factors for lumen output and candelas:

2700K = 0.85