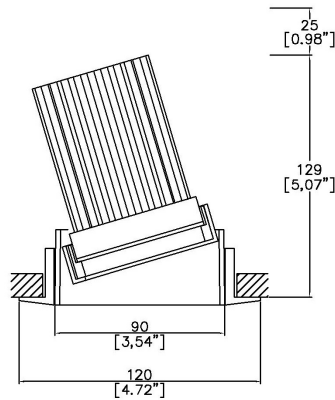


Soft3.5 Color Accent



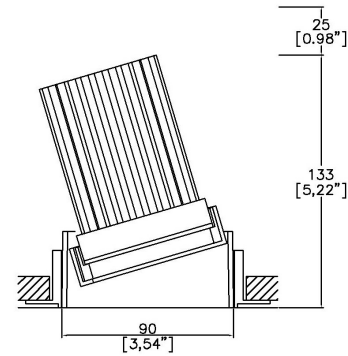
Soft provides high performance electronics and architectural aesthetics in 3.5” trim. Soft products include adjustable and fixed in a flanged or trimless installation kit. Also available with various color finishes. Tray, retrofit and housing installation methods (NIC, IC, AT, T24 and CCEA) Multiple configurations for equal spacing also available. Lucent modules available in a wide range of color temperatures, beam angles, intensities, and effects (Ambiance WarmDim and Dynamic Tuneable White). MR16 and GU10 LED lamp options available. TRIAC/Phase, 0-10v/1-10v, DMX and DALI/ Digital dimming.



A093-C-LED-TR
359° rotation. Up to 30° tilt
Cut-out 109mm (4.29") Ø



Installation kit for overlap flange



A093-C-LED-TL
359° rotation. Up to 30° tilt
Cut-out 105mm (4.13") Ø



Mud-in kit for seamless/trimless

LED Source	LED71TW	LED71TW	LED71TW
CCT range 5000K-2000K	@ 3000K	@ 3000K	@ 3000K
Drive Current (max per channel)	1000mA	1000mA	1000mA
Power inc Driver Max	27.5W	27.5W	27.5W
Beam Angle	19°	23°	42°
Delivered Lumens	1746	1673	1645
Delivered Intensity cd	7227	5950	2473
Efficacy lm/w	63	61	60
Forward Volt (max per channel)	23.4V	23.4V	23.4V
CRI	≥95 CRI	≥95 CRI	≥95 CRI

Soft Color Inserts



Polished Copper



Piano Black



Polished Gold



Satin Gold



Polished Silver



Satin Silver

Project Ref: _____

Location Ref: _____

Specify fixture part number (All boxes must be filled in to correctly order)

A093-LED					LED7ITW	5020								
----------	--	--	--	--	---------	------	--	--	--	--	--	--	--	--

- Installation _____
- TR Flange kit
 - TL Mud-in kit
- Color Insert _____
- CP Polished Copper
 - PB Piano Black
 - PG Polished Gold
 - SG Satin Gold
 - PS Polished Silver
 - SS Satin Silver
- Trim Finish (Leave blank if trimless) _____
- WH White
 - BK Black
 - RAL Custom*

- Ceiling Thickness _____
- SC Standard Ceiling (1/2"-5/8"-3/4")
 - C Custom

- LED Type _____
- LED7ITW LED71 Dynamic Tuneable White (95CRI)

- CCT _____
- 5020 5000K - 2000K

- Beam Angles _____
- 19 19
 - 23 23
 - 42 42

- Housing/Tray _____
- LMT-13-NIC Mounting Tray Non-Insulated ceilings
 - LH-8.50-NIC Housing 8.50" Non-Insulated ceilings
 - LH-11.25-AT/IC Housing 11.25" Insulated/Air-tight ceilings and Chicago Plenum

- Mounting Hardware _____
- 09 9" to 15.25" - Adjustable Bar Hanger Lengths
 - 14 14" to 24" - Adjustable Bar Hanger Lengths
 - 36 28" to 36" - Adjustable Bar Hanger Lengths
 - BB Butterfly Bracket
 - CB Caterpillar Bracket

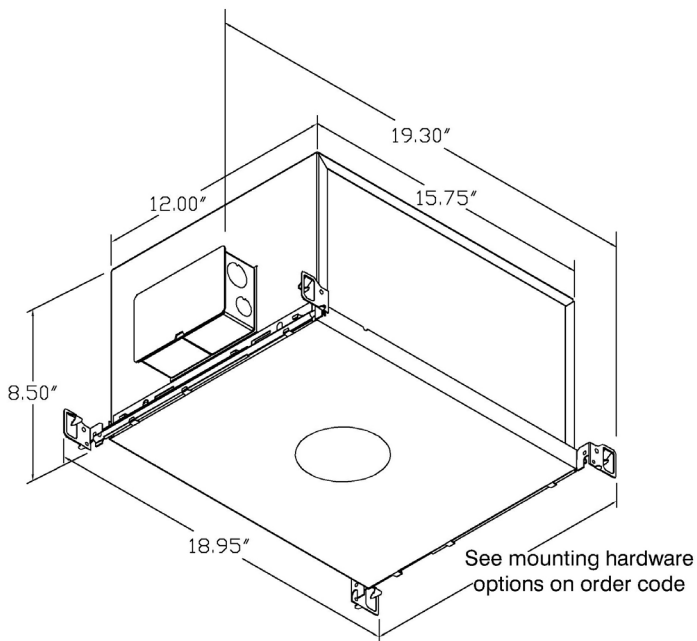
- Supply Voltage _____
- 120 120V
 - 277 277V

- Dimming Protocol _____
- A2 Analogue (0-10V) 2-Channel (0.1% Dimming)
 - D6 DALI Type 6** (0.1% Dimming)
 - D8 DALI Type 8** (0.1% Dimming)
 - L Lutron (Consult Factory)

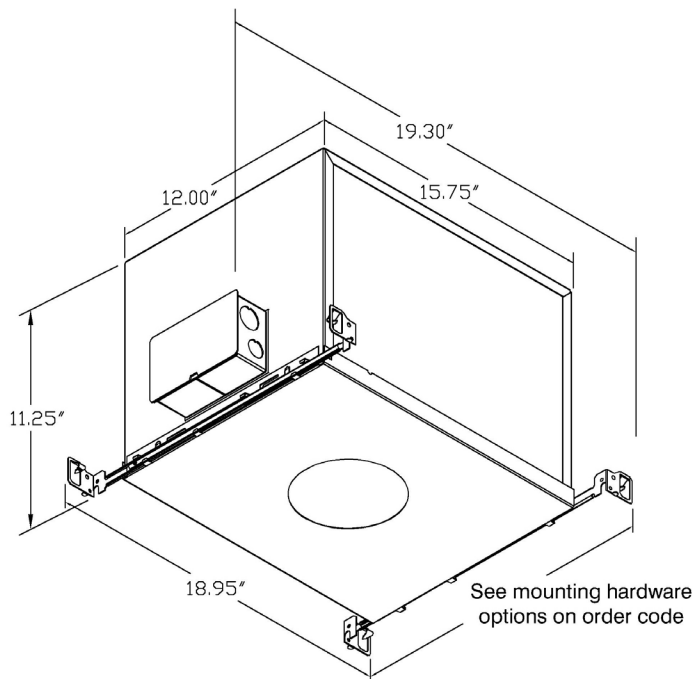
- Emergency _____
- E 1.5h Emergency
 - ES 1.5h Self test

- Louvre/Lens _____
- XX Not required
 - MD45 Honeycomb
 - MDCC Warm Tone
 - MDUV UV
 - MDDF Solite/Diffusing
 - MDFR Frosted Lens
 - MDLS Linear Spread
 - MDHS Heavy Spread

Housing dimensions

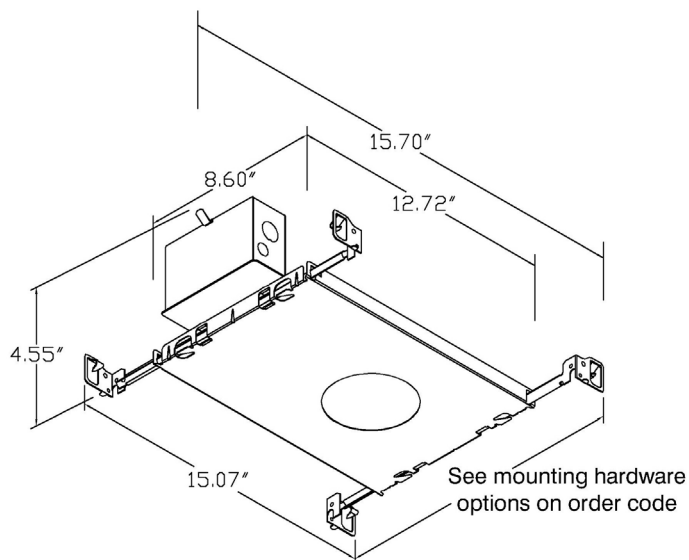


LH-8.50
Non-insulated ceiling

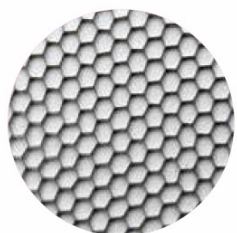


LH-11.25
Insulated/air-tight ceilings and
Chicago Plenum

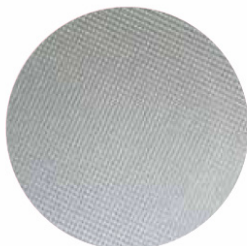
Tray dimensions



LMT-13
Non-insulated ceilings



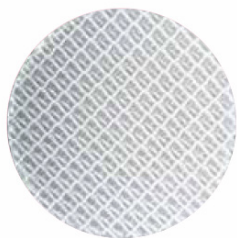
Honeycomb Louvre (MD45)



Solite/Diffusing Lens (MDDF)



Frosted Lens (MDFR)



Heavy Spread Lens (MDHS)



Linear Spread Lens (MDLS)



Warm Tone (MDCC)

.....

Technical Details

*Custom color requires a paint chip or RAL code and may increase price and lead-time

It is the responsibility of the specifier/integrator/installer to check and ensure compatibility of any control equipment used. Additional cabling may be required depending on the dimming protocol specified.

**Bluetooth (wireless) is a communication protocol. The exact dimming protocol must be confirmed to allow the selection of suitable drivers or Bluetooth devices.

***Non specific driver type, dimming performance depending on exact driver used. Contact Lucent Lighting for more information.

^ Depth indicated is the minimum recess depth for the luminaire with a remote mounted LED driver. Installing a driver through either the luminaire cut-out or installation kit may require additional recess depth, please refer to the relevant installation instructions prior to purchase.

First Fix Requirement. Luminaire comprised of fixture body with ceiling trim and installation kit, which is to be fitted into the ceiling once finished. Ensure correct alignment of the installation kit before final assembly (see luminaire installation instructions for details)

Location. Tested from underside of the ceiling.

Data correct at time of publishing. It is the policy of Lucent Lighting to continually review and improve its products and therefore reserve the right to change any details of product or withdraw specifications without prior notice.

This specification sheet supersedes all previous versions.

All intellectual property rights pertaining to the product described above and to this document are owned by or licensed to Lucent Lighting, Incorporated. Lucent Lighting reserves the right to take whatever action is necessary to protect its intellectual property, patents and trademarks

Please notify Lucent Lighting Inc. inaccuracies. E&OE

.....



Light efficiency:

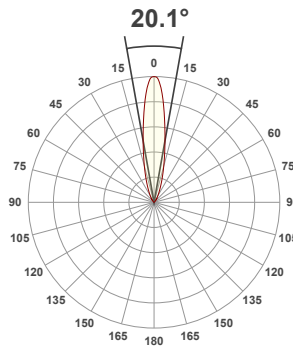
63 Lumen/Watt

Light quality:

CRI: 91.2

Color temperature:

3000 K



Product name:

093-LED - LED71TW-5020-19 - 3000K

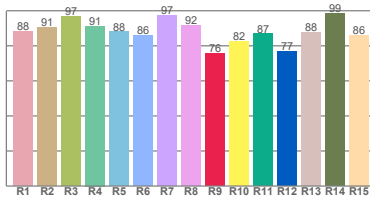
Item number:

Soft90 Accent - LED71TW-5020-19 - 3000K

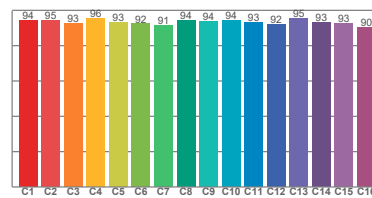
Delivered information for above fixture and LED combination.

Output: 1746 Lumen Peak intensity: 7227 cd Power consumption: 27.5

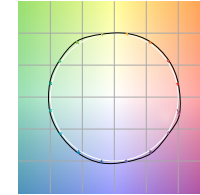
CRI R values



TM30 C Values

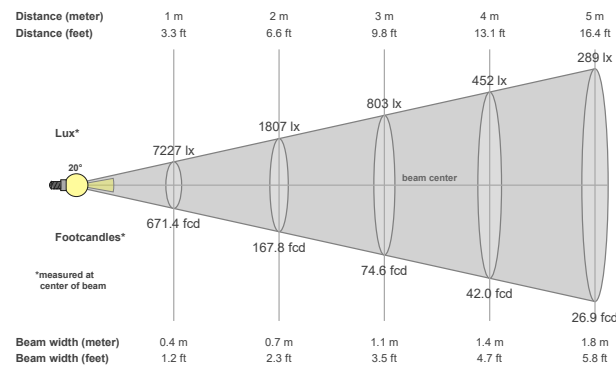


Color vector graphics



Color temperature	Color rendering index	Red component	Color fidelity	Color gamut	Color quality scale	Color coordinate cie 1931	Color coordinate cie 1931	Color coordinate	Color coordinate	Color deviation from black body
CCT	CRI	CRI R9	TM30 Rf	TM30 Rg	CQS	x	y	u	v	Δuv
3000 K	91.2	75.8	93.5	106.5	94.0	0.437	0.404	0.251	0.348	-0.0126

Beam details



Beam angles

Beam angle 50%	Field angle 10%	Cutoff angle 2,5%
20.1°	50.4°	79.2°

Beam intensities

Peak intensity	Int. ratio in 120° cone	Int. ratio in 90° cone
7227 cd	98.9%	95.4%

Beam intensities from 1-20m

1m	2m	3m	4m	5m	6m	7m	8m	9m	10m	11m	12m	13m	14m	15m	16m	17m	18m	19m	20m
3.3ft	6.6ft	9.8ft	13.1ft	16.4ft	19.7ft	23ft	26.2ft	29.5ft	32.8ft	36.1ft	39.4ft	42.7ft	45.9ft	49.2ft	52.5ft	55.8ft	59.1ft	62.3ft	65.6ft
7227lx	1807lx	803lx	452lx	289lx	201lx	147lx	113lx	89lx	72lx	60lx	50lx	43lx	37lx	32lx	28lx	25lx	22lx	20lx	18lx
671.4fcd	167.8fcd	74.6fcd	42fcd	26.9fcd	18.6fcd	13.7fcd	10.5fcd	8.3fcd	6.7fcd	5.5fcd	4.7fcd	4fcd	3.4fcd	3fcd	2.6fcd	2.3fcd	2.1fcd	1.9fcd	1.7fcd

All the above information for fixtures with LED71TW-5020 modules are tested at 3000K

Factors to adjust lumen output for the following CCTs at 100% output for the colour are as follows:

2000K = 0.75

2700K = 0.93

3500K = 1.07

4000K = 1.11

5000K = 1.17

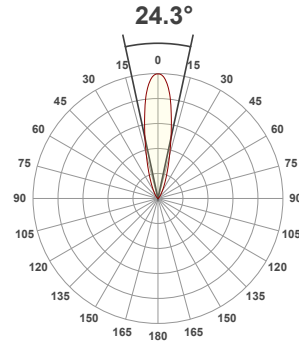
Light efficiency:



Light quality:



Color temperature:



Product name:

093-LED - LED71TW-5020-23 - 3000K

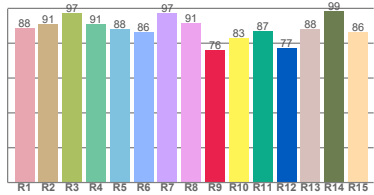
Item number:

Soft90 Accent - LED71TW-5020-23 - 3000K

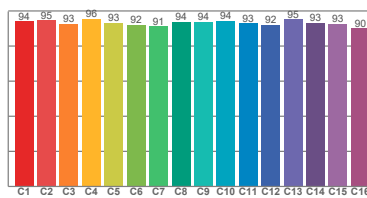
Delivered information for above fixture and LED combination.

Output: 1673 Lumen Peak intensity: 5950 cd Power consumption: 27.5

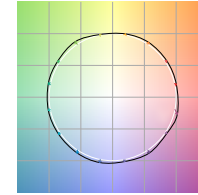
CRI R values



TM30 C Values

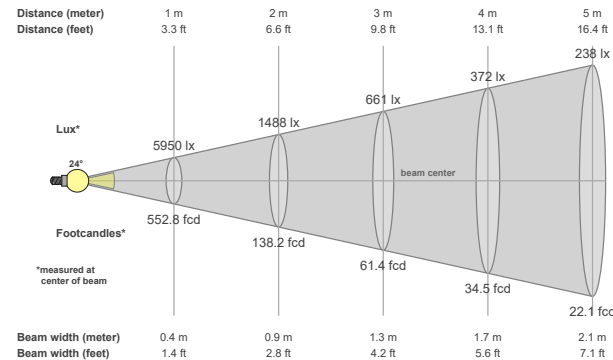


Color vector graphics



Color temperature	Color rendering index	Red component	Color fidelity	Color gamut	Color quality scale	Color coordinate cie 1931	Color coordinate cie 1931	Color coordinate	Color coordinate	Color deviation from black body
CCT	CRI	CRI R9	TM30 Rf	TM30 Rg	CQS	x	y	u	v	Δuv
3000 K	91.3	76.0	93.5	106.7	94.0	0.437	0.404	0.251	0.348	-0.0123

Beam details



Beam angles

Beam angle 50%	Field angle 10%	Cutoff angle 2,5%
24.3°	53.4°	80.2°

Beam intensities

Peak intensity	Int. ratio in 120° cone	Int. ratio in 90° cone
5950 cd	98.9%	96.0%

Beam intensities from 1-20m

1m	2m	3m	4m	5m	6m	7m	8m	9m	10m	11m	12m	13m	14m	15m	16m	17m	18m	19m	20m
3.3ft	6.6ft	9.8ft	13.1ft	16.4ft	19.7ft	23ft	26.2ft	29.5ft	32.8ft	36.1ft	39.4ft	42.7ft	45.9ft	49.2ft	52.5ft	55.8ft	59.1ft	62.3ft	65.6ft
5950lx	1488lx	661lx	372lx	238lx	165lx	121lx	93lx	73lx	60lx	49lx	41lx	35lx	30lx	26lx	23lx	21lx	18lx	16lx	15lx
552.8fcd	138.2fcd	61.4fcd	34.5fcd	22.1fcd	15.4fcd	11.3fcd	8.6fcd	6.8fcd	5.5fcd	4.6fcd	3.8fcd	3.3fcd	2.8fcd	2.5fcd	2.2fcd	1.9fcd	1.7fcd	1.5fcd	1.4fcd

All the above information for fixtures with LED71TW-5020 modules are tested at 3000K

Factors to adjust lumen output for the following CCTs at 100% output for the colour are as follows:

2000K = 0.75 2700K = 0.93 3500K = 1.07

4000K = 1.11 5000K = 1.17

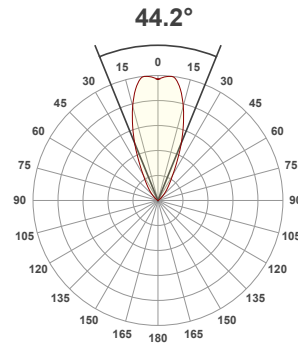
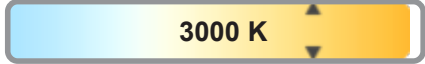
Light efficiency:



Light quality:



Color temperature:



Product name:

093-LED - LED71TW-5020-42 - 3000K

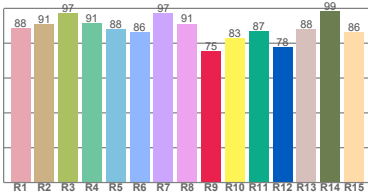
Item number:

Soft90 Accent - LED71TW-5020-42 - 3000K

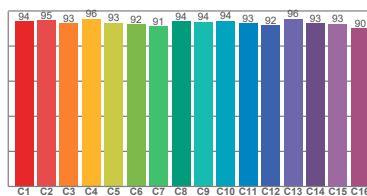
Delivered information for above fixture and LED combination.

Output: 1645 Lumen Peak intensity: 2473 cd Power consumption: 27.5

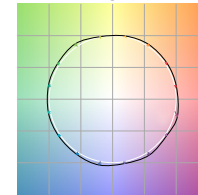
CRI R values



TM30 C Values

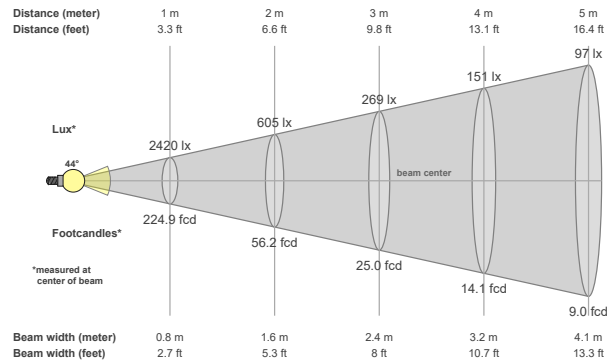


Color vector graphics



Color temperature	Color rendering index	Red component	Color fidelity	Color gamut	Color quality scale	Color coordinate cie 1931	Color coordinate cie 1931	Color coordinate	Color coordinate	Color deviation from black body
CCT	CRI	CRI R9	TM30 Rf	TM30 Rg	CQS	x	y	u	v	Δuv
3000 K	91.4	75.3	93.6	106.6	94.1	0.437	0.404	0.251	0.348	-0.0124

Beam details



Beam angles

Beam angle 50%	Field angle 10%	Cutoff angle 2,5%
44.2°	80.8°	103.7°

Beam intensities

Peak intensity	Int. ratio in 120° cone	Int. ratio in 90° cone
2473 cd	98.1%	92.9%

Beam intensities from 1-20m

1m	2m	3m	4m	5m	6m	7m	8m	9m	10m	11m	12m	13m	14m	15m	16m	17m	18m	19m	20m
3.3ft	6.6ft	9.8ft	13.1ft	16.4ft	19.7ft	23ft	26.2ft	29.5ft	32.8ft	36.1ft	39.4ft	42.7ft	45.9ft	49.2ft	52.5ft	55.8ft	59.1ft	62.3ft	65.6ft
2420lx	605lx	269lx	151lx	97lx	67lx	49lx	38lx	30lx	24lx	20lx	17lx	14lx	12lx	11lx	9lx	8lx	7lx	7lx	6lx
224.9fcd	56.2fcd	25fcd	14.1fcd	9fcd	6.2fcd	4.6fcd	3.5fcd	2.8fcd	2.2fcd	1.9fcd	1.6fcd	1.3fcd	1.1fcd	1fcd	0.9fcd	0.8fcd	0.7fcd	0.6fcd	0.6fcd

All the above information for fixtures with LED71TW-5020 modules are tested at 3000K

Factors to adjust lumen output for the following CCTs at 100% output for the colour are as follows:

2000K = 0.75 2700K = 0.93 3500K = 1.07

4000K = 1.11 5000K = 1.17