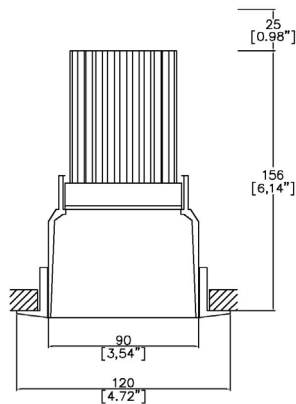


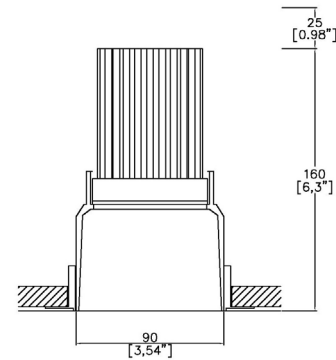
Soft3.5 Fixed



Soft provides high performance electronics and architectural aesthetics in 3.5” trim. Soft products include adjustable and fixed in a flanged or trimless installation kit. Also available with various color finishes. Tray, retrofit and housing installation methods (NIC, IC, AT, T24 and CCEA) Multiple configurations for equal spacing also available. Lucent modules available in a wide range of color temperatures, beam angles, intensities, and effects (Ambiance WarmDim and Dynamic Tuneable White). MR16 and GU10 LED lamp options available. TRIAC/Phase, 0-10v/1-10v, DMX and DALI/ Digital dimming.



A090-LED-TR
Cut-out 109mm (4.29”) Ø



A090-LED-TL
Cut-out 105mm (4.13”) Ø



Installation kit for overlap flange



Mud-in kit for seamless/trimless

LED Source	LED71TW	LED71TW	LED71TW
CCT range 5000K-2000K	@ 3000K	@ 3000K	@ 3000K
Drive Current (max per channel)	1000mA	1000mA	1000mA
Power inc Driver Max	27.5W	27.5W	27.5W
Beam Angle	19°	23°	42°
Delivered Lumens	1637	1581	1461
Delivered Intensity cd	7333	6045	2519
Efficacy lm/w	60	57	53
Forward Volt (max per channel)	23.4V	23.4V	23.4V
CRI	≥95 CRI	≥95 CRI	≥95 CRI

Project Ref: _____

Location Ref: _____

Specify fixture part number (All boxes must be filled in to correctly order)

A090-LED						LED71TW	5020							
-----------------	--	--	--	--	--	----------------	-------------	--	--	--	--	--	--	--

Installation _____
TR Flange kit
TL Mud-in kit

Body Finish _____
WH White
BK Black
RAL Custom*

Trim Finish (Leave blank if trimless) _____
WH White
BK Black
RAL Custom*

Location _____
XX Standard Location
DP Damp
WT Wet

Ceiling Thickness _____
SC Standard Ceiling (1/2"-5/8"-3/4")
C Custom

LED Type _____
LED71TW LED71 Dynamic Tuneable White (95CRI)

CCT _____
5020 5000K - 2000K

Beam Angles _____
19 19
23 23
42 42

Housing/Tray _____
LMT-13-NIC Mounting Tray Non-Insulated ceilings
LH-8.50-NIC Housing 8.50" Non-Insulated ceilings
LH-11.25-AT/IC Housing 11.25" Insulated/Air-tight ceilings and Chicago Plenum

Mounting Hardware _____
09 9" to 15.25" - Adjustable Bar Hanger Lengths
14 14" to 24" - Adjustable Bar Hanger Lengths
36 28" to 36" - Adjustable Bar Hanger Lengths
BB Butterfly Bracket
CB Caterpillar Bracket

Supply Voltage _____
120 120V
277 277V

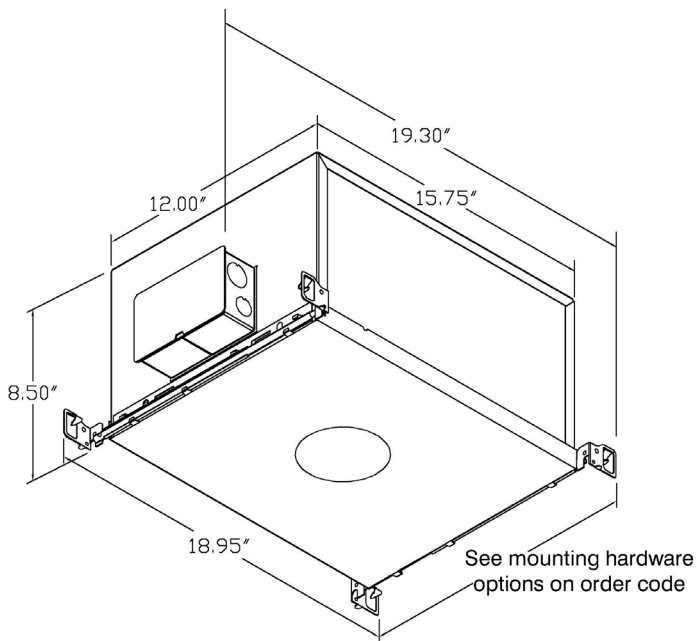
Dimming Protocol _____
A2 Analogue (0-10V) 2-Channel (0.1% Dimming)
D6 DALI Type 6** (0.1% Dimming)
D8 DALI Type 8** (0.1% Dimming)
L Lutron (Consult Factory)

Emergency
E 1.5h Emergency
ES 1.5h Self test

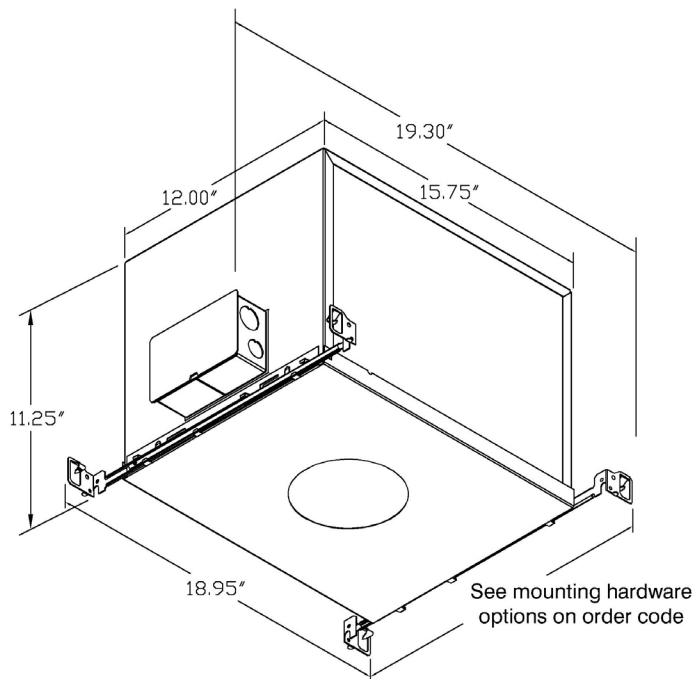
Louvre/Lens
XX Not required
MD45 Honeycomb
MDCC Warm Tone
MDUV UV
MDDF Solite/Diffusing
MDFR Frosted Lens
MDLS Linear Spread
MDHS Heavy Spread

*Refer to Technical Details for more information

Housing dimensions

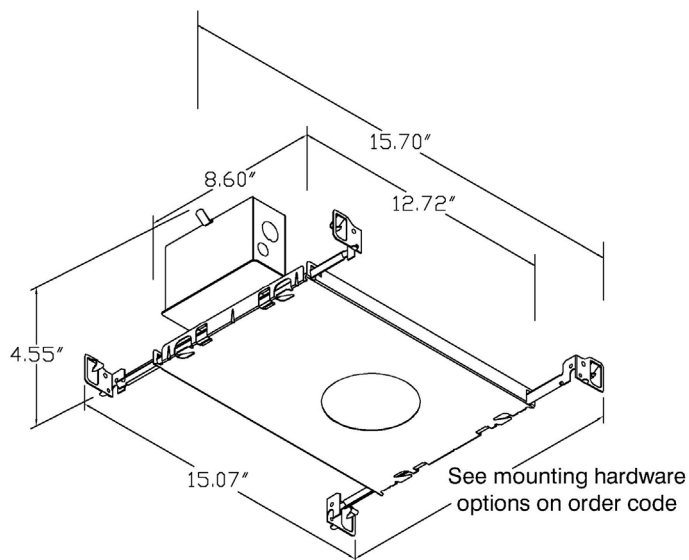


LH-8.50
Non-insulated ceiling

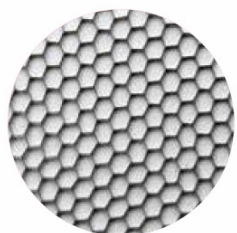


LH-11.25
Insulated/air-tight ceilings and
Chicago Plenum

Tray dimensions



LMT-13
Non-insulated ceilings



Honeycomb Louvre (MD45)



Solite/Diffusing Lens (MDDF)



Frosted Lens (MDFR)



Heavy Spread Lens (MDHS)



Linear Spread Lens (MDLS)



Warm Tone (MDCC)

.....

Technical Details

*Custom color requires a paint chip or RAL code and may increase price and lead-time

It is the responsibility of the specifier/integrator/installer to check and ensure compatibility of any control equipment used. Additional cabling may be required depending on the dimming protocol specified.

**Bluetooth (wireless) is a communication protocol. The exact dimming protocol must be confirmed to allow the selection of suitable drivers or Bluetooth devices.

***Non specific driver type, dimming performance depending on exact driver used. Contact Lucent Lighting for more information.

^ Depth indicated is the minimum recess depth for the luminaire with a remote mounted LED driver. Installing a driver through either the luminaire cut-out or installation kit may require additional recess depth, please refer to the relevant installation instructions prior to purchase.

First Fix Requirement. Luminaire comprised of fixture body with ceiling trim and installation kit, which is to be fitted into the ceiling once finished. Ensure correct alignment of the installation kit before final assembly (see luminaire installation instructions for details)

Location. Tested from underside of the ceiling.

Data correct at time of publishing. It is the policy of Lucent Lighting to continually review and improve its products and therefore reserve the right to change any details of product or withdraw specifications without prior notice.

This specification sheet supersedes all previous versions.

All intellectual property rights pertaining to the product described above and to this document are owned by or licensed to Lucent Lighting, Incorporated. Lucent Lighting reserves the right to take whatever action is necessary to protect its intellectual property, patents and trademarks

Please notify Lucent Lighting Inc. inaccuracies. E&OE

.....



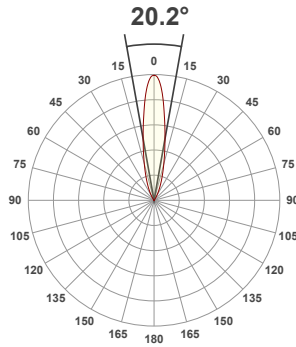
Light efficiency:



Light quality:



Color temperature:



Product name:

090-LED - LED71TW-5020-19 - 3000K

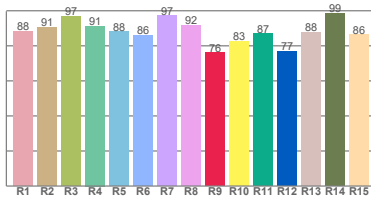
Item number:

Soft90 Fixed- LED71TW-5020-19 - 3000K

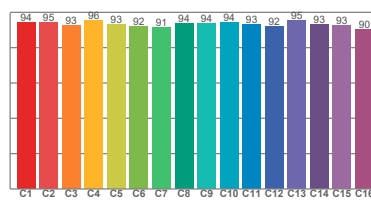
Delivered information for above fixture and LED combination.

Output: 1637 Lumen Peak intensity: 7333 cd Power consumption: 27.5

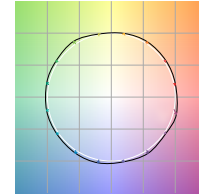
CRI R values



TM30 C Values

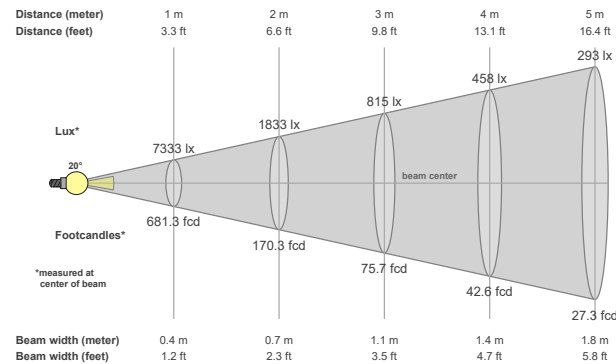


Color vector graphics



Color temperature	Color rendering index	Red component	Color fidelity	Color gamut	Color quality scale	Color coordinate cie 1931	Color coordinate cie 1931	Color coordinate	Color coordinate	Color deviation from black body
CCT	CRI	CRI R9	TM30 Rf	TM30 Rg	CQS	x	y	u	v	Δuv
3000 K	91.3	76.0	93.5	106.6	94.0	0.437	0.404	0.251	0.348	-0.0125

Beam details



Beam angles

Beam angle 50%	Field angle 10%	Cutoff angle 2,5%
20.2°	49.4°	65.2°

Beam intensities

Peak intensity	Int. ratio in 120° cone	Int. ratio in 90° cone
7333 cd	97.2%	94.1%

Beam intensities from 1-20m

1m	2m	3m	4m	5m	6m	7m	8m	9m	10m	11m	12m	13m	14m	15m	16m	17m	18m	19m	20m
3.3ft	6.6ft	9.8ft	13.1ft	16.4ft	19.7ft	23ft	26.2ft	29.5ft	32.8ft	36.1ft	39.4ft	42.7ft	45.9ft	49.2ft	52.5ft	55.8ft	59.1ft	62.3ft	65.6ft
7333lx	1833lx	815lx	458lx	293lx	204lx	150lx	115lx	91lx	73lx	61lx	51lx	43lx	37lx	33lx	29lx	25lx	23lx	20lx	18lx
681.3fcd	170.3fcd	75.7fcd	42.6fcd	27.3fcd	18.9fcd	13.9fcd	10.6fcd	8.4fcd	6.8fcd	5.6fcd	4.7fcd	4fcd	3.5fcd	3fcd	2.7fcd	2.4fcd	2.1fcd	1.9fcd	1.7fcd

All the above information for fixtures with LED71TW-5020 modules are tested at 3000K

Factors to adjust lumen output for the following CCTs at 100% output for the colour are as follows:

2000K = 0.75

2700K = 0.93

3500K = 1.07

4000K = 1.11

5000K = 1.17

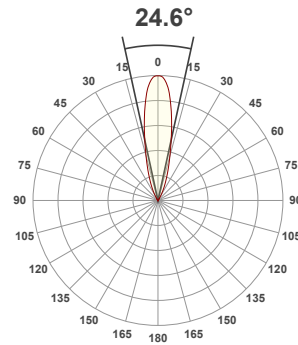
Light efficiency:



Light quality:



Color temperature:



Product name:

090-LED - LED71TW-5020-23 - 3000K

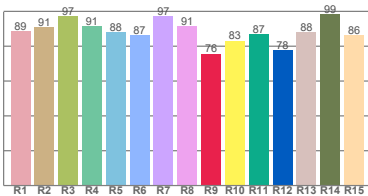
Item number:

Soft90 Fixed- LED71TW-5020-23 - 3000K

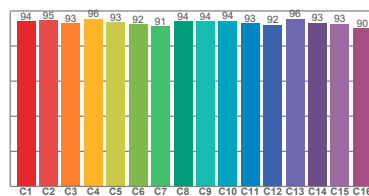
Delivered information for above fixture and LED combination.

Output: 1581 Lumen Peak intensity: 6045 cd Power consumption: 27.5

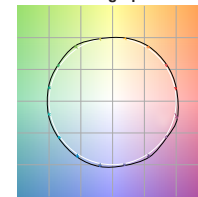
CRI R values



TM30 C Values

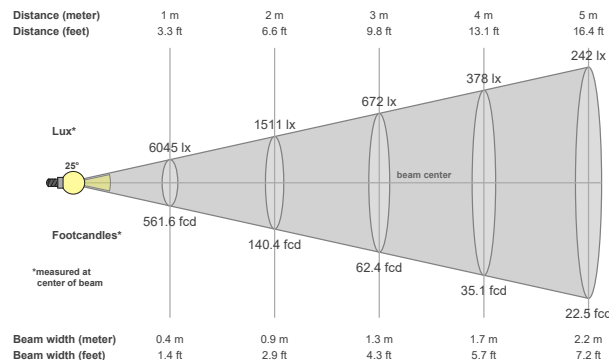


Color vector graphics



Color temperature	Color rendering index	Red component	Color fidelity	Color gamut	Color quality scale	Color coordinate cie 1931	Color coordinate cie 1931	Color coordinate	Color coordinate	Color deviation from black body
CCT	CRI	CRI R9	TM30 Rf	TM30 Rg	CQS	x	y	u	v	Δuv
3000 K	91.5	75.7	93.6	106.5	94.1	0.437	0.404	0.251	0.348	-0.0122

Beam details



Beam angles

Beam angle 50%	Field angle 10%	Cutoff angle 2,5%
24.6°	51.6°	65.8°

Beam intensities

Peak intensity	Int. ratio in 120° cone	Int. ratio in 90° cone
6045 cd	98.1%	95.3%

Beam intensities from 1-20m

1m	2m	3m	4m	5m	6m	7m	8m	9m	10m	11m	12m	13m	14m	15m	16m	17m	18m	19m	20m
3.3ft	6.6ft	9.8ft	13.1ft	16.4ft	19.7ft	23ft	26.2ft	29.5ft	32.8ft	36.1ft	39.4ft	42.7ft	45.9ft	49.2ft	52.5ft	55.8ft	59.1ft	62.3ft	65.6ft
6045lx	1511lx	672lx	378lx	242lx	168lx	123lx	94lx	75lx	60lx	50lx	42lx	36lx	31lx	27lx	24lx	21lx	19lx	17lx	15lx
561.6fcd	140.4fcd	62.4fcd	35.1fcd	22.5fcd	15.6fcd	11.5fcd	8.8fcd	6.9fcd	5.6fcd	4.6fcd	3.9fcd	3.3fcd	2.9fcd	2.5fcd	2.2fcd	1.9fcd	1.7fcd	1.6fcd	1.4fcd

All the above information for fixtures with LED71TW-5020 modules are tested at 3000K

Factors to adjust lumen output for the following CCTs at 100% output for the colour are as follows:

2000K = 0.75 2700K = 0.93 3500K = 1.07

4000K = 1.11 5000K = 1.17

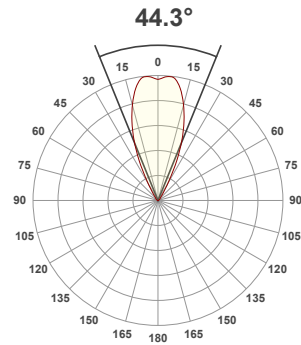
Light efficiency:



Light quality:



Color temperature:



Product name:

090-LED - LED71TW-5020-42 - 3000K

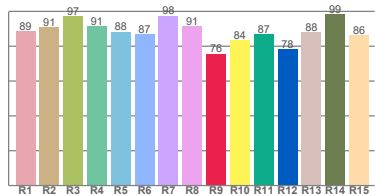
Item number:

Soft90 Fixed- LED71TW-5020-42 - 3000K

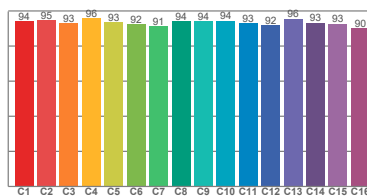
Delivered information for above fixture and LED combination.

Output: 1461 Lumen Peak intensity: 2519 cd Power consumption: 27.5

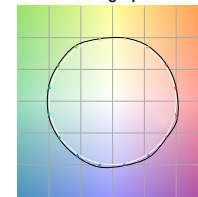
CRI R values



TM30 C Values

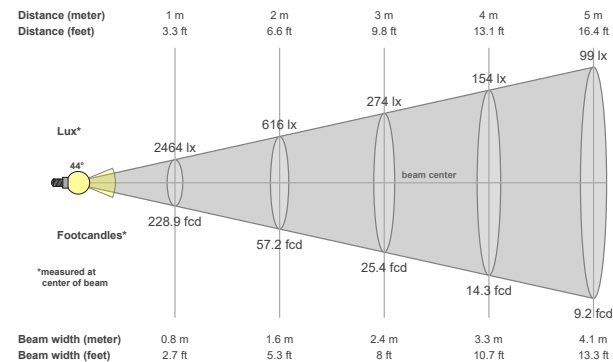


Color vector graphics



Color temperature	Color rendering index	Red component	Color fidelity	Color gamut	Color quality scale	Color coordinate cie 1931	Color coordinate cie 1931	Color coordinate	Color coordinate	Color deviation from black body
CCT	CRI	CRI R9	TM30 Rf	TM30 Rg	CQS	x	y	u	v	Δuv
3000 K	91.6	75.8	93.6	106.5	94.2	0.437	0.404	0.251	0.348	-0.0121

Beam details



Beam angles

Beam angle 50%	Field angle 10%	Cutoff angle 2,5%
44.3°	65.5°	93.5°

Beam intensities

Peak intensity	Int. ratio in 120° cone	Int. ratio in 90° cone
2519 cd	97.1%	92.5%

Beam intensities from 1-20m

1m	2m	3m	4m	5m	6m	7m	8m	9m	10m	11m	12m	13m	14m	15m	16m	17m	18m	19m	20m
3.3ft	6.6ft	9.8ft	13.1ft	16.4ft	19.7ft	23ft	26.2ft	29.5ft	32.8ft	36.1ft	39.4ft	42.7ft	45.9ft	49.2ft	52.5ft	55.8ft	59.1ft	62.3ft	65.6ft
2464lx	616lx	274lx	154lx	99lx	68lx	50lx	38lx	30lx	25lx	20lx	17lx	15lx	13lx	11lx	10lx	9lx	8lx	7lx	6lx
228.9fcd	57.2fcd	25.4fcd	14.3fcd	9.2fcd	6.4fcd	4.7fcd	3.6fcd	2.8fcd	2.3fcd	1.9fcd	1.6fcd	1.4fcd	1.2fcd	1fcd	0.9fcd	0.8fcd	0.7fcd	0.6fcd	0.6fcd

All the above information for fixtures with LED71TW-5020 modules are tested at 3000K

Factors to adjust lumen output for the following CCTs at 100% output for the colour are as follows:

2000K = 0.75 2700K = 0.93 3500K = 1.07

4000K = 1.11 5000K = 1.17