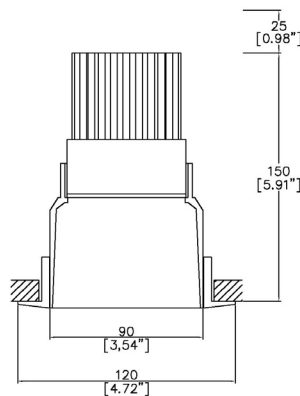


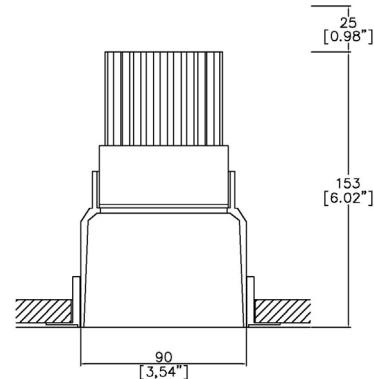
## ProSpex Soft90 Fixed



120mm (4.72") overall trim diameter. 90mm (3.54") overall trimless diameter. Available with standard trim kit or plaster-in kit for flush appearance. Family of matching products also available. Required depth height + 25mm<sup>^</sup>



090-LED-TR  
Cut-out 105mm Ø



090-LED-TL  
Cut-out 102mm Ø

LED Source	LED71TW	LED71TW	LED71TW
CCT range	@ 3000K	@ 3000K	@ 3000K
Drive Current (max per channel)	1000mA	1000mA	1000mA
Power inc Driver Max	27.5W	27.5W	27.5W
Beam Angle	19°	23°	42°
Delivered Lumens	1637	1581	1461
Delivered Intensisty cd	7333	6045	2519
Efficacy lm/w	60	57	53
Forward Volt (max per channel)	23.4V	23.4V	23.4V
CRI	≥95 CRI	≥95 CRI	≥95 CRI

Project Ref: \_\_\_\_\_

Location Ref: \_\_\_\_\_

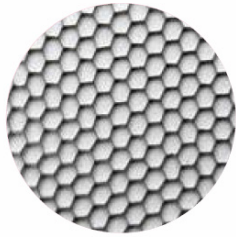
Fixture Order Code:  -  -  -  -  -

- Fixture  
090-LED      Soft90 Fixed with LED71
- Installation  
TR      Trim  
TL      Trimless
- Body Finish  
WH      White  
BK      Black  
RAL      Custom RAL Colour\*
- Trim Finish (Leave blank if trimless)  
WH      White  
BK      Black  
RAL      Custom RAL Colour\*
- IP Rating  
44      IP44
- Emergency  
E      Maintained 3hr Emergency  
ED      Maintained 3hr DALI Self Test  
ES      Maintained 3hr Self Test



LED Order Code:  -  -  -

- LED  
LED71TW      LED70 ONE Tuneable White
- CCT  
5020      5000K - 2000K
- Beam  
19      19°  
23      23°  
42      42°
- Protocol  
D6      DALI Type 6\*\*  
D8      DALI Type 8\*\*  
B      Bluetooth\*\*\*



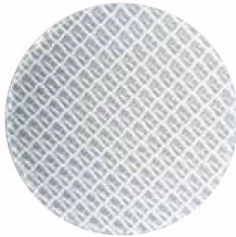
**Honeycomb Louvre**



**Diffusing Lens**



**Frosted Lens**



**Heavy Spread Lens**



**Linear Spread Lens**



**Warm Tone**

Accessories Order Code:

**Louvre/Lens**

- MD45 Honeycomb Louvre
- MDCC Warm Tone Lens
- MDUV UV Lens
- MDDF Diffusing Lens
- MDFR Frosted Lens
- MDLS Linear Spread Lens
- MDHS Heavy Spread Lens

**Technical Details**

\*Custom RAL code must be specified. Custom RAL colours can increase prices and lead times

Dimming. Whilst Lucent can offer the majority of its luminaires with various dimming options, it remains the responsibility of the specifier/installer to check and ensure compatibility of any control equipment used. Additional cabling may be required depending on the dimming protocol specified.

\*\*DALI Type 6 requires two DALI addresses, one for CCT control the other for Intesity control. DALI Type 8 is a single DALI Type 8 address for CCT and Intesity control. Please check which control system is being used before specifying.

\*\*\*Bluetooth (wireless) is the communication method. The exact dimming protocol must be confirmed to allow the selection of suitable drivers or bluetooth devices.

^ Depth indicated is the minimum recess depth for the luminaire with a remote mounted LED driver. Installing a driver through either the luminaire cut-out or installation kit may require additional recess depth, please refer to the relevant luminaire installation instructions for further details. Data correct at time of publishing

First Fix Requirement. Luminaire comprised of fixture body with ceiling trim and installation kit, which is to be fitted into the ceiling once finished. Ensure correct alignment of the installation kit before final assembly (see luminaire installation instructions for details)

IP Rating. Tested from underside of the ceiling

It is the policy of Lucent Lighting to continually review and improve its products and therefore reserve the right to change any details of product or withdraw specifications without prior notice.

Luminaires designed to comply with EN60598 and all other standards.

This specification sheet superseded all previous versions.

All intellectual property rights pertaining to the product described above and to this document are owned by or licensed to Lucent Lighting Ltd.

We reserve the right to take whatever action is necessary to protect those intellectual property rights.

Please notify Lucent Lighting Ltd of any inaccuracies immediately. E&OE

**Light efficiency:**

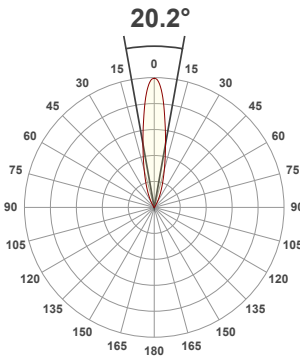
**60 Lumen/Watt**

**Light quality:**

**CRI: 91.3**

**Color temperature:**

**3021 K**



**Product name:**

**090-LED - LED71W-5020-19 - 3000K**

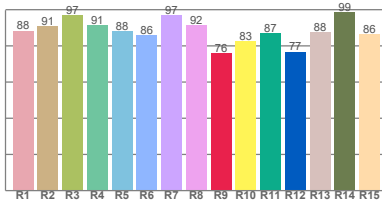
**Item number:**

**Soft90 Fixed- LED71W-5020-19 - 3000K**

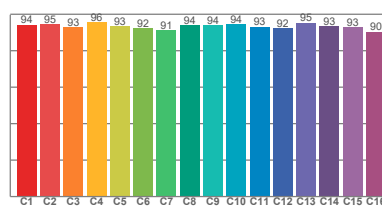
**Delivered information for above fixture and LED combination.**

**Output: 1637 Lumen Peak intensity: 7333 cd Power consumption: 27.5**

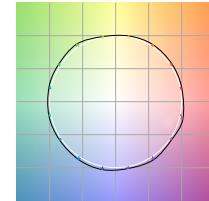
**CRI R values**



**TM30 C Values**

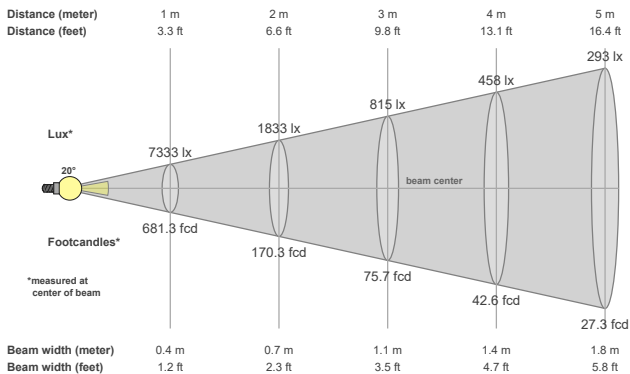


**Color vector graphics**



Color temperature	Color rendering index	Red component	Color fidelity	Color gamut	Color quality scale	Color coordinate cie 1931	Color coordinate cie 1931	Color coordinate	Color coordinate	Color deviation from black body
CCT	CRI	CRI R9	TM30 Rf	TM30 Rg	CQS	x	y	u	v	Δuv
3021 K	91.3	76.0	93.5	106.6	94.0	0.419	0.368	0.254	0.336	-0.0125

**Beam details**



**Beam angles**

Beam angle 50%	Field angle 10%	Cutoff angle 2,5%
20.2°	49.4°	65.2°

**Beam intensities**

Peak intensity	Int. ratio in 120° cone	Int. ratio in 90° cone
7333 cd	97.2%	94.1%

**Beam intensities from 1-20m**

1m	2m	3m	4m	5m	6m	7m	8m	9m	10m	11m	12m	13m	14m	15m	16m	17m	18m	19m	20m
3.3ft	6.6ft	9.8ft	13.1ft	16.4ft	19.7ft	23ft	26.2ft	29.5ft	32.8ft	36.1ft	39.4ft	42.7ft	45.9ft	49.2ft	52.5ft	55.8ft	59.1ft	62.3ft	65.6ft
7333lx	1833lx	815lx	458lx	293lx	204lx	150lx	115lx	91lx	73lx	61lx	51lx	43lx	37lx	33lx	29lx	25lx	23lx	20lx	18lx
681.3fcd	170.3fcd	75.7fcd	42.6fcd	27.3fcd	18.9fcd	13.9fcd	10.6fcd	8.4fcd	6.8fcd	5.6fcd	4.7fcd	4fcd	3.5fcd	3fcd	2.7fcd	2.4fcd	2.1fcd	1.9fcd	1.7fcd

All the above information for fixtures with LED71TW-5020 modules are tested at 3000K

Factors to adjust lumen output for the following CCTs at 100% output for the colour are as follows:

2000K = 0.75

2700K = 0.93

3500K = 1.07

4000K = 1.11

5000K = 1.17

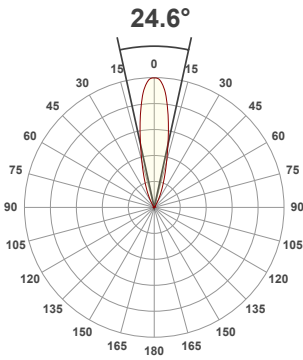
**Light efficiency:**



**Light quality:**



**Color temperature:**



**Product name:**

**090-LED - LED71W-5020-24 - 3000K**

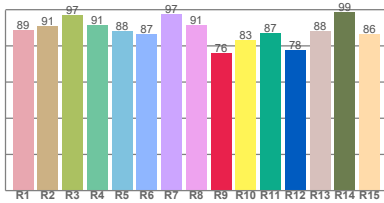
**Item number:**

**Soft90 Fixed- LED71W-5020-24 - 3000K**

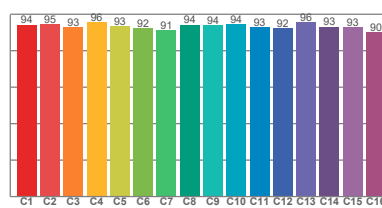
**Delivered information for above fixture and LED combination.**

**Output: 1581 Lumen    Peak intensity: 6045 cd    Power consumption: 27.5**

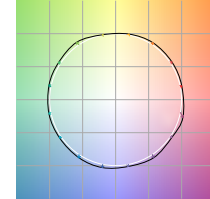
**CRI R values**



**TM30 C Values**

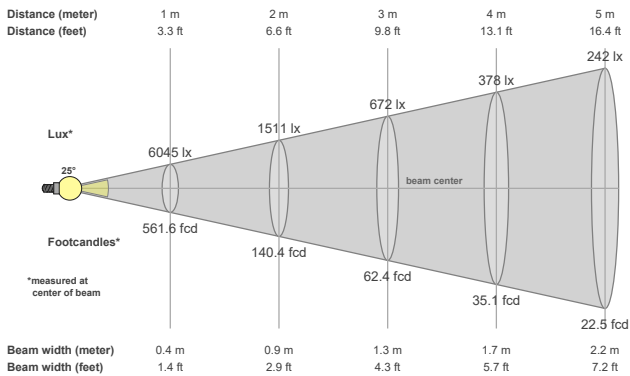


**Color vector graphics**



Color temperature	Color rendering index	Red component	Color fidelity	Color gamut	Color quality scale	Color coordinate cie 1931	Color coordinate cie 1931	Color coordinate	Color coordinate	Color deviation from black body
CCT	CRI	CRI R9	TM30 Rf	TM30 Rg	CQS	x	y	u	v	Δuv
3045 K	91.5	75.7	93.6	106.5	94.1	0.418	0.369	0.254	0.336	-0.0122

**Beam details**



**Beam angles**

Beam angle 50%	Field angle 10%	Cutoff angle 2,5%
24.6°	51.6°	65.8°

**Beam intensities**

Peak intensity	Int. ratio in 120° cone	Int. ratio in 90° cone
6045 cd	98.1%	95.3%

**Beam intensities from 1-20m**

1m	2m	3m	4m	5m	6m	7m	8m	9m	10m	11m	12m	13m	14m	15m	16m	17m	18m	19m	20m
3.3ft	6.6ft	9.8ft	13.1ft	16.4ft	19.7ft	23ft	26.2ft	29.5ft	32.8ft	36.1ft	39.4ft	42.7ft	45.9ft	49.2ft	52.5ft	55.8ft	59.1ft	62.3ft	65.6ft
6045lx	1511lx	672lx	378lx	242lx	168lx	123lx	94lx	75lx	60lx	50lx	42lx	36lx	31lx	27lx	24lx	21lx	19lx	17lx	15lx
561.6fcd	140.4fcd	62.4fcd	35.1fcd	22.5fcd	15.6fcd	11.5fcd	8.8fcd	6.9fcd	5.6fcd	4.6fcd	3.9fcd	3.3fcd	2.9fcd	2.5fcd	2.2fcd	1.9fcd	1.7fcd	1.6fcd	1.4fcd

All the above information for fixtures with LED71TW-5020 modules are tested at 3000K

Factors to adjust lumen output for the following CCTs at 100% output for the colour are as follows:

2000K = 0.75                      2700K = 0.93                      3500K = 1.07

4000K = 1.11                      5000K = 1.17

**Light efficiency:**

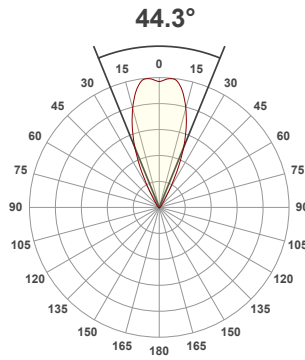
**53 Lumen/Watt**

**Light quality:**

**CRI: 91.6**

**Color temperature:**

**3068 K**



**Product name:**

**090-LED - LED71W-5020-42 - 3000K**

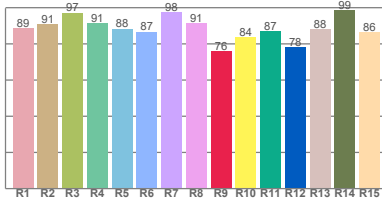
**Item number:**

**Soft90 Fixed- LED71W-5020-42 - 3000K**

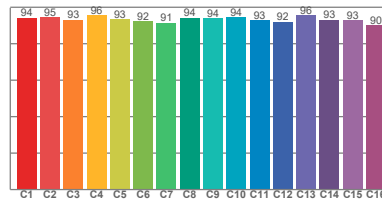
**Delivered information for above fixture and LED combination.**

**Output: 1461 Lumen Peak intensity: 2519 cd Power consumption: 27.5**

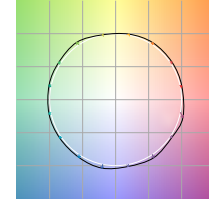
**CRI R values**



**TM30 C Values**

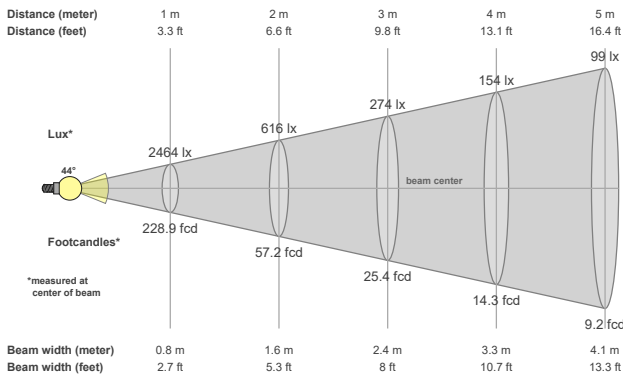


**Color vector graphics**



Color temperature	Color rendering index	Red component	Color fidelity	Color gamut	Color quality scale	Color coordinate cie 1931	Color coordinate cie 1931	Color coordinate	Color coordinate	Color deviation from black body
CCT	CRI	CRI R9	TM30 Rf	TM30 Rg	CQS	x	y	u	v	Δuv
3068 K	91.6	75.8	93.6	106.5	94.2	0.416	0.368	0.253	0.335	-0.0121

**Beam details**



**Beam angles**

Beam angle 50%	Field angle 10%	Cutoff angle 2,5%
44.3°	65.5°	93.5°

**Beam intensities**

Peak intensity	Int. ratio in 120° cone	Int. ratio in 90° cone
2519 cd	97.1%	92.5%

**Beam intensities from 1-20m**

1m	2m	3m	4m	5m	6m	7m	8m	9m	10m	11m	12m	13m	14m	15m	16m	17m	18m	19m	20m
3.3ft	6.6ft	9.8ft	13.1ft	16.4ft	19.7ft	23ft	26.2ft	29.5ft	32.8ft	36.1ft	39.4ft	42.7ft	45.9ft	49.2ft	52.5ft	55.8ft	59.1ft	62.3ft	65.6ft
2464lx	616lx	274lx	154lx	99lx	68lx	50lx	38lx	30lx	25lx	20lx	17lx	15lx	13lx	11lx	10lx	9lx	8lx	7lx	6lx
228.9fcd	57.2fcd	25.4fcd	14.3fcd	9.2fcd	6.4fcd	4.7fcd	3.6fcd	2.8fcd	2.3fcd	1.9fcd	1.6fcd	1.4fcd	1.2fcd	1fcd	0.9fcd	0.8fcd	0.7fcd	0.6fcd	0.6fcd

All the above information for fixtures with LED71TW-5020 modules are tested at 3000K

Factors to adjust lumen output for the following CCTs at 100% output for the colour are as follows:

2000K = 0.75

2700K = 0.93

3500K = 1.07

4000K = 1.11

5000K = 1.17