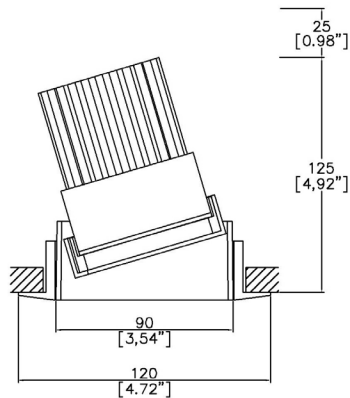


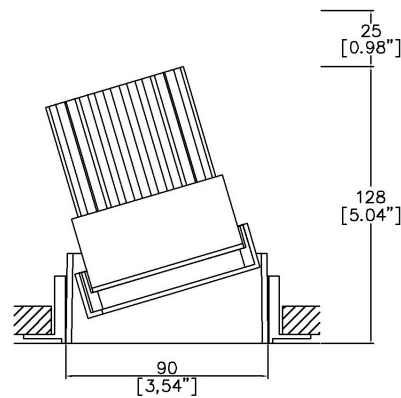
ProSpex Soft90 Accent



120mm (4.72") overall trim diameter. 90mm (3.54") overall trimless diameter. Available with standard trim kit or plaster-in kit for flush appearance. Family of matching products also available. Required depth height + 25mm^



093-LED-TR
Cut-out 105mm Ø



093-LED-TL
Cut-out 102mm Ø

LED Source	LED71TW	LED71TW	LED71TW
CCT range	5000K-2000K	@ 3000K	@ 3000K
Drive Current (max per channel)	1000mA	1000mA	1000mA
Power inc Driver Max	27.5W	27.5W	27.5W
Beam Angle	19°	23°	42°
Delivered Lumens	1746	1673	1645
Delivered Intensisty cd	7227	5950	2473
Efficacy lm/w	63	61	60
Forward Volt (max per channel)	23.4V	23.4V	23.4V
CRI	≥95 CRI	≥95 CRI	≥95 CRI

Project Ref: _____

Location Ref: _____

Fixture Order Code:

093-LED - - - -

- Fixture
093-LED Soft90 Accent with LED71
- Installation
TR Trim
TL Trimless
- Body Finish
WH White
BK Black
RAL Custom RAL Colour*
- Trim Finish (Leave blank if trimless)
WH White
BK Black
RAL Custom RAL Colour*
- Emergency
E Maintained 3hr Emergency
ED Maintained 3hr DALI Self Test
ES Maintained 3hr Self Test



LED Order Code:

LED71TW - 5020 - -

- LED
LED71TW LED70 ONE Tuneable White
- CCT
5020 5000K - 2000K
- Beam
19 19°
23 23°
42 42°
- Protocol
D6 DALI Type 6**
D8 DALI Type 8**
B Bluetooth***



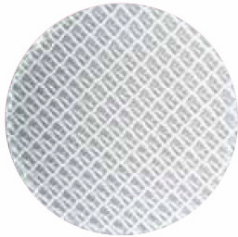
Honeycomb Louvre



Diffusing Lens



Frosted Lens



Heavy Spread Lens



Linear Spread Lens



Warm Tone

Accessories Order Code:

Louvre/Lens

- MD45 Honeycomb Louvre
- MDCC Warm Tone Lens
- MDUV UV Lens
- MDDF Diffusing Lens
- MDFR Frosted Lens
- MDLS Linear Spread Lens
- MDHS Heavy Spread Lens

Technical Details

*Custom RAL code must be specified. Custom RAL colours can increase prices and lead times

Dimming. Whilst Lucent can offer the majority of its luminaires with various dimming options, it remains the responsibility of the specifier/installer to check and ensure compatibility of any control equipment used. Additional cabling may be required depending on the dimming protocol specified.

**DALI Type 6 requires two DALI addresses, one for CCT control the other for Intesity control. DALI Type 8 is a single DALI Type 8 address for CCT and Intesity control. Please check which control system is being used before specifying.

***Bluetooth (wireless) is the communication method. The exact dimming protocol must be confirmed to allow the selection of suitable drivers or bluetooth devices.

^ Depth indicated is the minimum recess depth for the luminaire with a remote mounted LED driver. Installing a driver through either the luminaire cut-out or installation kit may require additional recess depth, please refer to the relevant luminaire installation instructions for further details.Data correct at time of publishing

First Fix Requirement. Luminaire comprised of fixture body with ceiling trim and installation kit, which is to be fitted into the ceiling once finished. Ensure correct alignment of the installation kit before final assembly (see luminaire instllation instructions for details)

IP Rating. Tested from underside of the ceiling

It is the policy of Lucent Lighting to continually review and improve its products and therefore reserve the right to change any details of product or withdraw specifications without prior notice.

Luminaires designed to comply with EN60598 and all other standards.

This specification sheet superseded all previous versions.

All intellectual property rights pertaining to the product described above and to this document are owned by or licensed to Lucent Lighting Ltd.

We reserve the right to take whatever action is necessary to protect those intellectual property rights.

Please notify Lucent Lighting Ltd of any inaccuracies immediately. E&OE

Light efficiency:

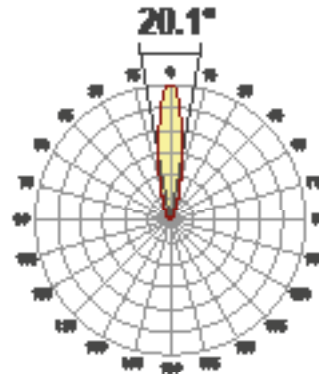
63 Lumen/Watt

Light quality:

CRI: 91.2

Color temperature:

3032 K



Product name:

093-LED - LED71W-5020-19 - 3000K

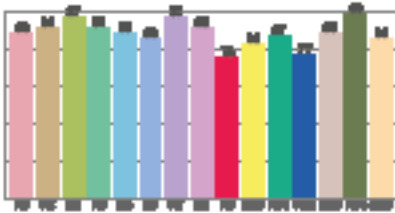
Item number:

Soft90 Accent - LED71W-5020-19 - 3000K

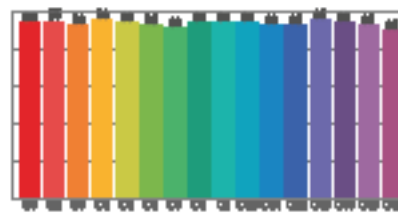
Delivered information for above fixture and LED combination.

Output: 1746 Lumen Peak intensity: 7227 cd Power consumption: 27.5

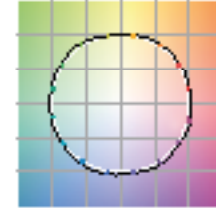
CRI R values



TM30 C Values

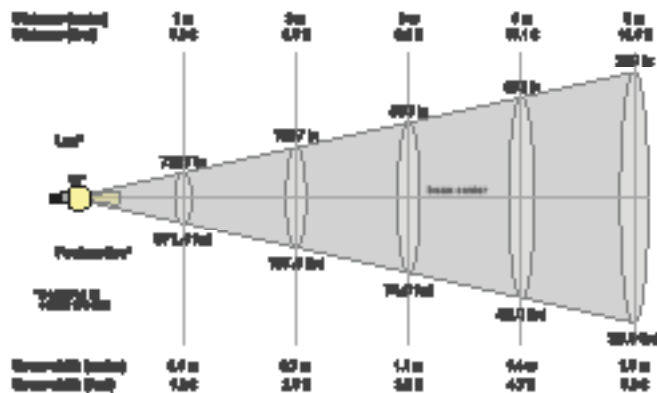


Color vector graphic



Color vector	Chrominance (u)	Redness (v)	Color shift	Color shift	Color shift (u)	Color shift (v)	Color shift (u)	Color shift (v)	Color shift (u)	Color shift (v)	Color shift (u)
OCT	CRI	CRI R9	TM30 R17	TM30 R99	CSE	X	Y	u	v	Z	
3000K	91.2	76.8	93.6	100.6	84.8	0.478	0.288	0.264	0.236	-0.0128	

Beam data



Beam angle

Beam angle 50%	Field angle 95%	Cutoff angle 2.0%
20.1°	52.4°	79.2°

Beam intensity

Peak intensity	Int. ratio to 120° cone	Int. ratio to 60° cone
7227 cd	88.8%	86.4%

Beam intensities from 1-20m

1m	2m	3m	4m	5m	6m	7m	8m	9m	10m	11m	12m	13m	14m	15m	16m	17m	18m	19m	20m
3.3ft	6.6ft	9.8ft	13.1ft	16.4ft	19.7ft	23ft	26.2ft	29.5ft	32.8ft	36.1ft	39.4ft	42.7ft	45.9ft	49.2ft	52.5ft	55.8ft	59.1ft	62.3ft	65.6ft
7227lx	1807lx	803lx	452lx	289lx	201lx	147lx	113lx	89lx	72lx	60lx	50lx	43lx	37lx	32lx	28lx	25lx	22lx	20lx	18lx
671.4cd	167.8cd	74.6cd	42fcd	26.9fcd	18.6fcd	13.7fcd	10.5fcd	8.3fcd	6.7fcd	5.5fcd	4.7fcd	4fcd	3.4fcd	3fcd	2.6fcd	2.3fcd	2.1fcd	1.9fcd	1.7fcd

All the above information for fixtures with LED71TW-5020 modules are tested at 3000K

Factors to adjust lumen output for the following CCTs at 100% output for the colour are as follows:

2000K = 0.70

2700K = 0.93

3500K = 1.076

4000K = 1.118

5000K = 1.154

Light efficiency:

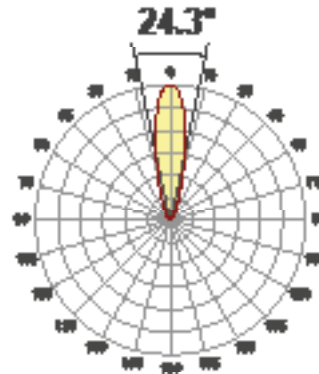
61 Lumen/Watt

Light quality:

CRI: 91.3

Color temperature:

3010 K



Product name:

093-LED - LED71W-5020-24 - 3000K

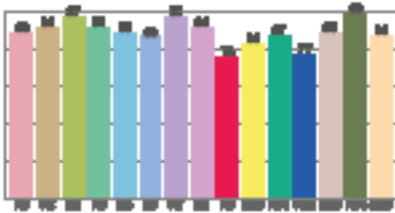
Item number:

Soft90 Accent - LED71W-5020-24 - 3000K

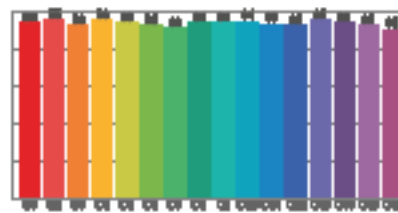
Delivered information for above fixture and LED combination.

Output: 1673 Lumen Peak intensity: 5950 cd Power consumption: 27.5

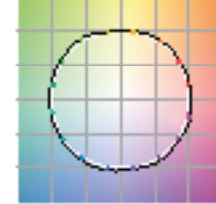
CRI values



TM30 C Values

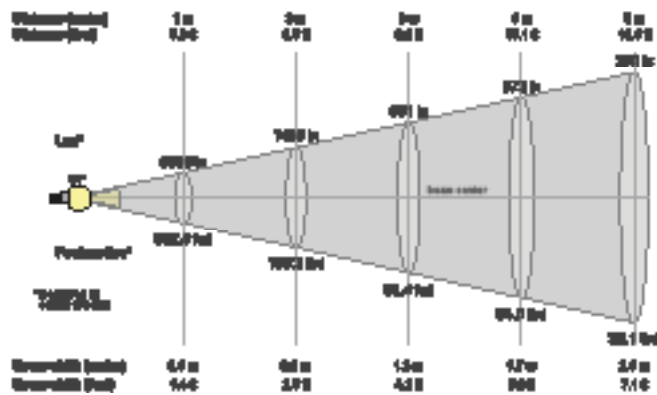


Color vector graphic



Color vector	Chrominance (u)	Redness (v)	Color shift	Greenness	Blue shift (u')	Color shift (v')	Color shift (u'')	Color shift (v'')	Color shift	Color shift	Color shift (Z)
OCT	CRI	CRI R9	TM30 R17	TM30 R99	CRI	x	y	u	v	Z	
3010K	91.3	76.8	93.6	100.7	84.8	0.428	0.289	0.265	0.238	-0.0123	

Beam data



Beam angle

Beam angle 50%	Field angle 95%	Cutoff angle 2.0%
24.3°	52.4°	88.2°

Beam intensity

Peak intensity	Int. ratio to 120° cone	Int. ratio to 60° cone
5950 cd	88.8%	88.8%

Beam intensities from 1-20m

1m	2m	3m	4m	5m	6m	7m	8m	9m	10m	11m	12m	13m	14m	15m	16m	17m	18m	19m	20m
3.3lx	6.6lx	9.8lx	13.1lx	16.4lx	19.7lx	23lx	26.2lx	29.5lx	32.8lx	36.1lx	39.4lx	42.7lx	45.9lx	49.2lx	52.5lx	55.8lx	59.1lx	62.3lx	65.6lx
5950lx	1488lx	661lx	372lx	238lx	165lx	121lx	93lx	73lx	60lx	49lx	41lx	35lx	30lx	26lx	23lx	21lx	18lx	16lx	15lx
552.8cd	138.2cd	61.4cd	34.5cd	22.1cd	15.4cd	11.3cd	8.6cd	6.8cd	5.5cd	4.6cd	3.8cd	3.3cd	2.8cd	2.5cd	2.2cd	1.9cd	1.7cd	1.5cd	1.4cd

All the above information for fixtures with LED71TW-5020 modules are tested at 3000K

Factors to adjust lumen output for the following CCTs at 100% output for the colour are as follows:

2000K = 0.70

2700K = 0.93

3500K = 1.076

4000K = 1.118

5000K = 1.154

Light efficiency:

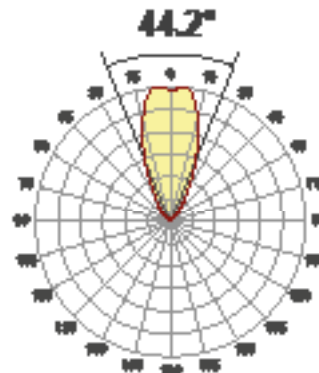
60 Lumen/Watt

Light quality:

CRI: 91.4

Color temperature:

3067 K



Product name:

093-LED - LED71W-5020-42 - 3000K

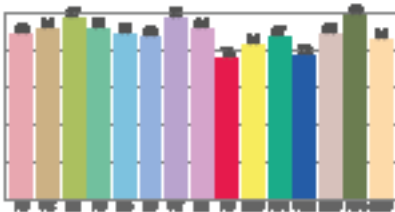
Item number:

Soft90 Accent - LED71W-5020-42 - 3000K

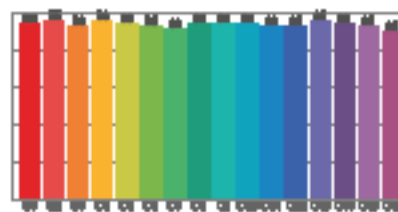
Delivered information for above fixture and LED combination.

Output: 1645 Lumen Peak intensity: 2473 cd Power consumption: 27.5

CRI values



TM30 C Values

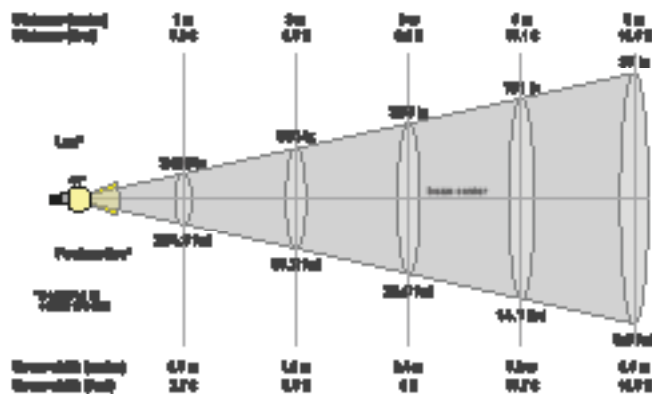


Color vector graphics



Color vector	Color vector	Color vector	Color vector	Color vector	Color vector	Color vector	Color vector	Color vector	Color vector	Color vector
OCT	CRI	CRI R9	TM30 R17	TM30 R99	CSE	X	Y	u	v	Zen
3067 K	91.4	76.2	93.8	100.8	94.1	0.478	0.287	0.253	0.226	-0.0124

Beam data



Beam angle

Beam angle 50%	Field angle 90%	Cutoff angle 2.6%
44.2°	88.4°	102.7°

Beam intensity

Peak intensity	Int. ratio to 120° cone	Int. ratio to 60° cone
2473 cd	88.1%	82.8%

Beam intensities from 1-20m

1m	2m	3m	4m	5m	6m	7m	8m	9m	10m	11m	12m	13m	14m	15m	16m	17m	18m	19m	20m
3.3ft	6.6ft	9.8ft	13.1ft	16.4ft	19.7ft	23ft	26.2ft	29.5ft	32.8ft	36.1ft	39.4ft	42.7ft	45.9ft	49.2ft	52.5ft	55.8ft	59.1ft	62.3ft	65.6ft
2420lx	605lx	269lx	151lx	97lx	67lx	49lx	38lx	30lx	24lx	20lx	17lx	14lx	12lx	11lx	9lx	8lx	7lx	7lx	6lx
224.9cd	56.2cd	25fcd	14.1fcd	9fcd	6.2fcd	4.6fcd	3.5fcd	2.8fcd	2.2fcd	1.9fcd	1.6fcd	1.3fcd	1.1fcd	1fcd	0.9fcd	0.8fcd	0.7fcd	0.6fcd	0.6fcd

All the above information for fixtures with LED71TW-5020 modules are tested at 3000K

Factors to adjust lumen output for the following CCTs at 100% output for the colour are as follows:

2000K = 0.70

2700K = 0.93

3500K = 1.076

4000K = 1.118

5000K = 1.154